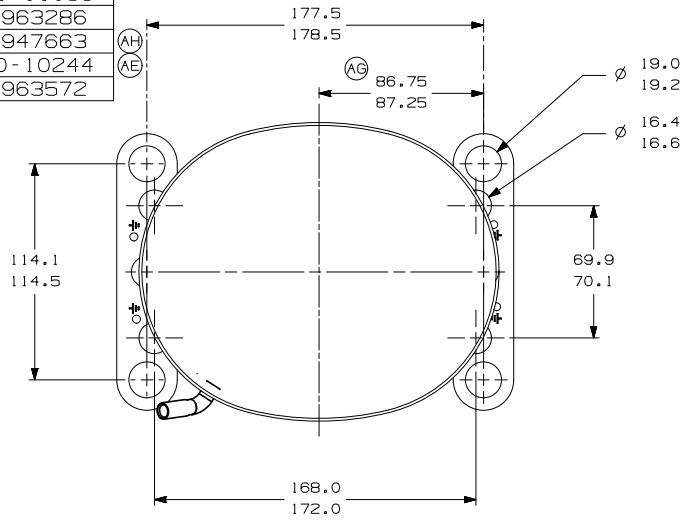
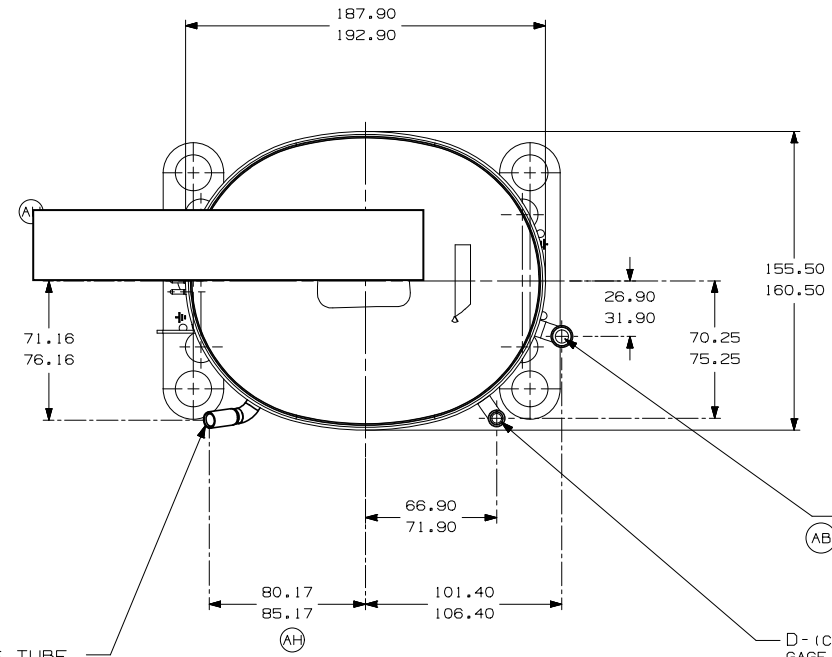


| ITEM | PART NUMBER |
|------|-------------|
| A    | 320-10156   |
| B    | 14963286    |
| C    | 14947663    |
| D    | 580-10244   |
| E    | 14963572    |



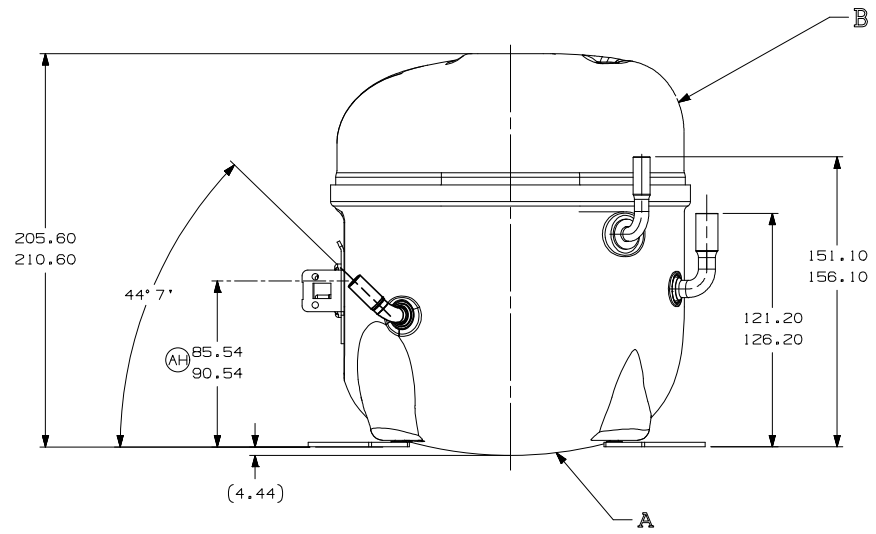
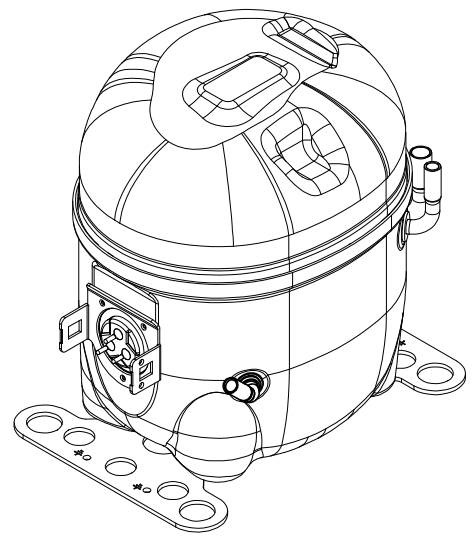
- AUXILIARY VIEW -  
FASTENING DIMENSIONS



C - (COPPER) PROCESS TUBE  
GAGE I.D. TO 6.45-6.55  
× 15.00-17.00 DEEP.

E - (COPPER) SUCTION TUBE  
GAGE I.D. TO 9.6-9.7  
× 15.00-17.00 DEEP.

D - (COPPER) DISCHARGE TUBE  
GAGE I.D. TO 6.45-6.55  
× 13.00-15.00 DEEP.



- NOTES:
- 1- IF SPECIFIED IN BM. ASSEMBLE PARTS AS SHOWN.
  - 2- SEE SPEC. "A-B" & A-C FOR PROCESS.
  - 3- THERE CAN BE NO CREASES IN THE TUBES. (CREASES ARE SIGNS OR MARKS THAT ARE IN SOMETHING THAT BENDS)
  - 4- AFTER THE FOLDS IN THE TUBES, CANNOT BE ACCELERATED TO AREA EXCEEDING 30%.
  - 5- TUBES OF SUCTION, DISCHARGE AND PROCESS MUST BE FREE OF INK ON 15.8mm (5/8") FROM TOP OF THE TUBES AS SPEC. T.P.Co. A-B4.
  6. FOR SUPPLIER ENVIRONMENTAL REGULATORY REQUIREMENTS, SEE TECUMSEH GLOBAL SPEC. 08.

| REV.             | DATE             | BY | CHK. | DESCRIPTION |
|------------------|------------------|----|------|-------------|
| B5               | ERA 91.60-96.60  |    |      |             |
| D4               | ERA 66.60-91.60  |    |      |             |
| E5               | ERA 72.10-77.10  |    |      |             |
| FB               | ERA 14963573     |    |      |             |
| A/2              | ALTERADA MEDIDA  |    |      |             |
| F/7              | EMERGENCIA       |    |      |             |
| E                | AGRESSÃO INICIAL |    |      |             |
| ..               | RETIRADO DETALHE |    |      |             |
| ..               | DE PINTURA       |    |      |             |
| F/B              | ALTERADO TUBO D  |    |      |             |
| ERA              | 14963519         |    |      |             |
| A/2              | ADDED NOTE       |    |      |             |
| A/2              | REV/SAIDA        |    |      |             |
| NOTAS 3 E 4      |                  |    |      |             |
| A/2              | ACRESCENTADA     |    |      |             |
| NOTAS 3 E 4      |                  |    |      |             |
| D2               | CORRIGIDO Ø INT. |    |      |             |
| TUBO SUCCAO ERA: |                  |    |      |             |
| 98.00-81.10      |                  |    |      |             |
| ..               | LIBERACAO        |    |      |             |

THIRD ANGLE PROJECTION

UNITS: mm

DRAWING SIZE: A2

REV. A SYMBOLS AS PROCEDURE 2.01.031 TECUMSEH OF BRAZIL

★ = CATEGORY I  
 ■ = CATEGORY II  
 ▲ = CATEGORY III  
 ● = CATEGORY IV

|                        |                    |                    |                   |          |
|------------------------|--------------------|--------------------|-------------------|----------|
| NAME: SALES COMPRESSOR |                    |                    | PART NO.: DCAE199 |          |
| DWN. J. BARBANO        | CK. ANDRE MARTINEZ | APR. WALTER CORREA | SCALE 1:2         | PAGE 1/1 |
| DATE 22/09/11          | REF.               |                    | FAMILY AE2        |          |