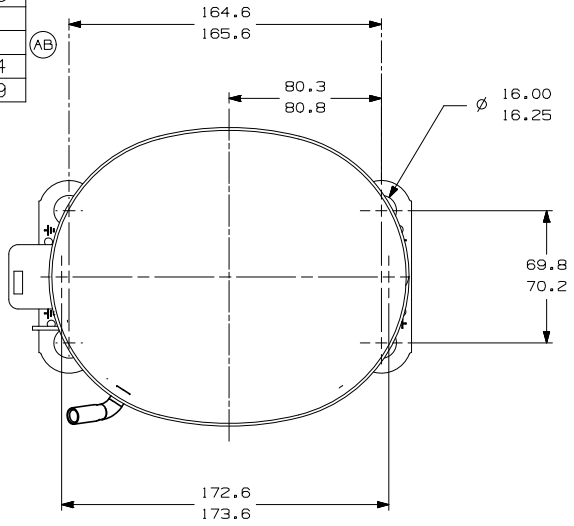
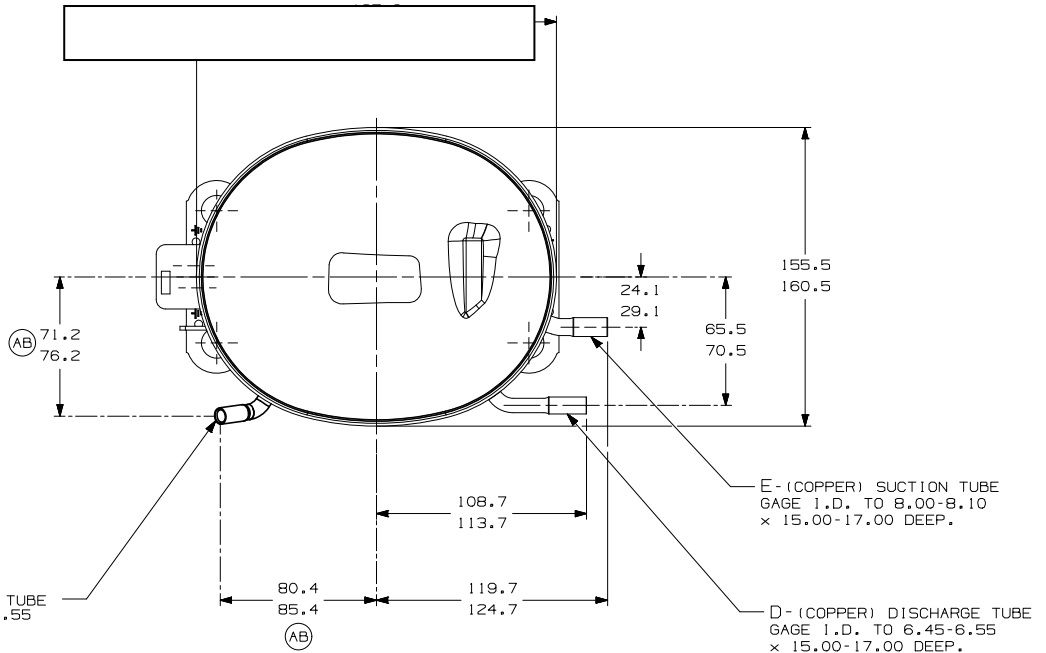


ITEM	PART NUMBER
A	320-10688
B	14963286
C	14947663
D	580-10244
E	580-10019



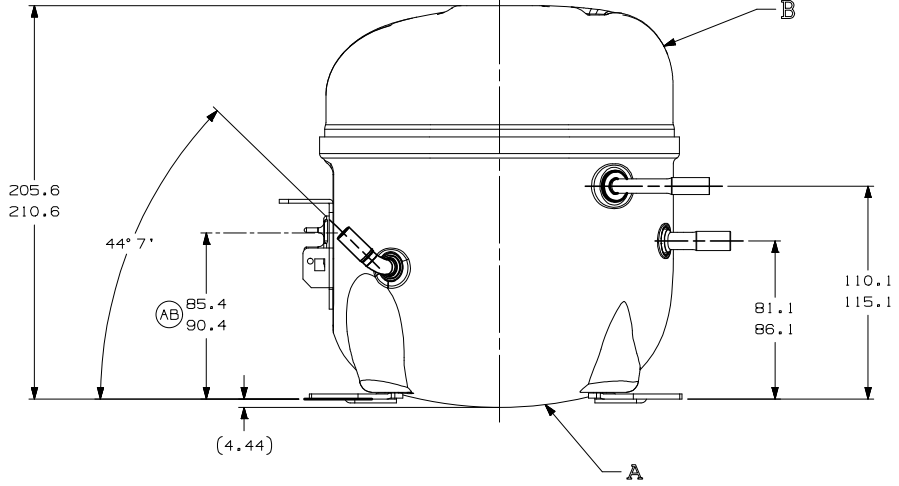
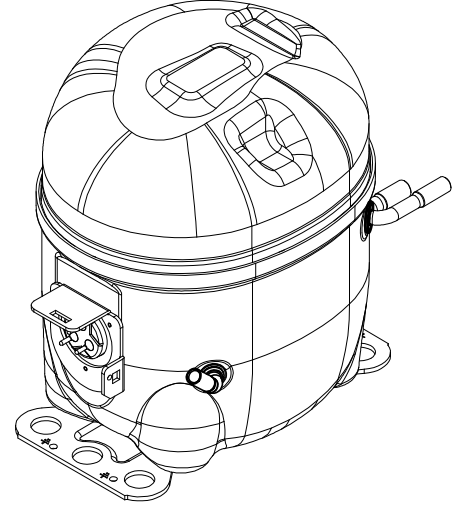
- AUXILIARY VIEW -
FASTENING DIMENSIONS



C-(COPPER) PROCESS TUBE
GAGE I.D. TO 6.45-6.55
× 15.00-17.00 DEEP.

E-(COPPER) SUCTION TUBE
GAGE I.D. TO 8.00-8.10
× 15.00-17.00 DEEP.

D-(COPPER) DISCHARGE TUBE
GAGE I.D. TO 6.45-6.55
× 15.00-17.00 DEEP.



- NOTES:
- 1- IF SPECIFIED IN BM. ASSEMBLE PARTS AS SHOWN.
 - 2- SEE SPEC. "A-B" & A-C FOR PROCESS.
 - 3- THERE CAN BE NO CREASES IN THE TUBES. (CREASES ARE SIGNS OR MARKS THAT ARE IN SOMETHING THAT BENDS)
 - 4- AFTER THE FOLDS IN THE TUBES, CANNOT BE ACCELERATED TO AREA EXCEEDING 30%.
 - 5- TUBES OF SUCTION, DISCHARGE AND PROCESS MUST BE FREE OF INK ON 15.8mm (5/8") FROM TOP OF THE TUBES AS SPEC. TECUMSEH A-B4.
 - 6- FOR SUPPLIER ENVIRONMENTAL REGULATORY REQUIREMENTS, SEE TECUMSEH GLOBAL SPEC. 08.

REV.	DATE	CHANGE
B5	ERA 91.60-96.60	
D4	ERA 86.60-91.60	
E5	ERA 72.10-77.10	
F8	ERA 14963573	
AA	LIBERACAO	
LT		

THIS DRAWING OR PRINT IS THE PROPERTY OF TECUMSEH DO BRASIL LTDA. AND CONTAINS PROPRIETARY AND CONFIDENTIAL INFORMATION. IT IS TO BE KEPT IN STRICTLY CONFIDENTIAL AND NOT TO BE REPRODUCED OR DISCLOSED OR MADE AVAILABLE TO ANY OTHER PARTY WITHOUT THE WRITTEN CONSENT OF TECUMSEH DO BRASIL. THIS INFORMATION IS FOR YOUR INFORMATION ONLY AND IS NOT TO BE USED FOR ANY OTHER PURPOSE. ALL INFORMATION IS SUBJECT TO CHANGE WITHOUT NOTICE. ALL INFORMATION IS SUBJECT TO CHANGE WITHOUT NOTICE. ALL INFORMATION IS SUBJECT TO CHANGE WITHOUT NOTICE.

THIRD ANGLE PROJECTION

UNITS: mm

DRAWING SIZE: A2

Q. A. SYMBOLS AS PROCEDURE 2.01.031 TECUMSEH OF BRAZIL

★ = CATEGORY I
 ■ = CATEGORY II
 ▲ = CATEGORY III
 ◆ = CATEGORY IV

tecumseh

NAME: SALES COMPRESSOR			PART NO.: DCAE708	
DWN. PAULO	CK. RAMIRO	APR. ANDRE	SCALE 1:2	PAGE 1/1
DATE 19-10-20	REF.		FAMILY AE2	