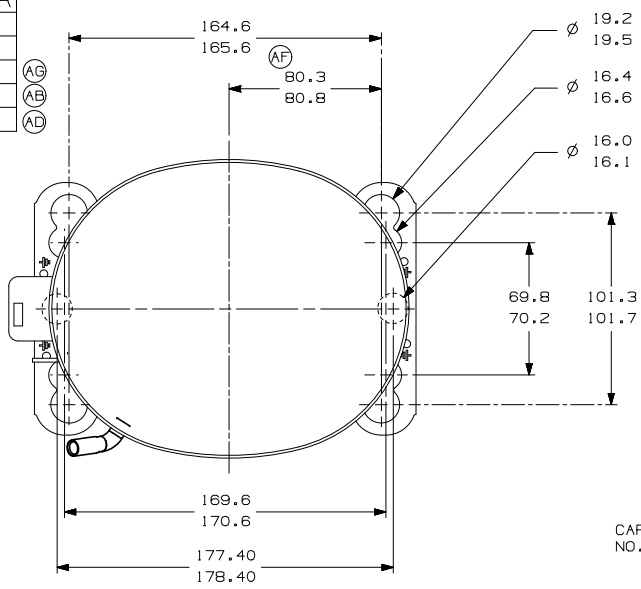
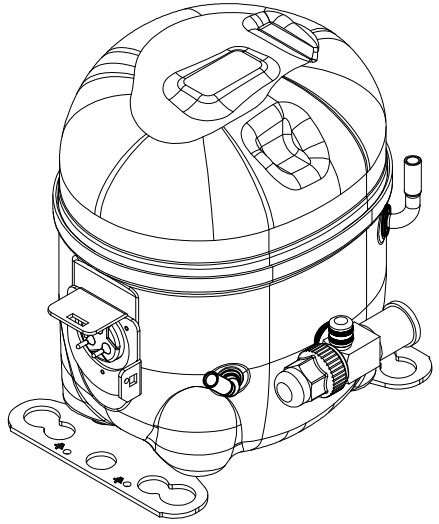
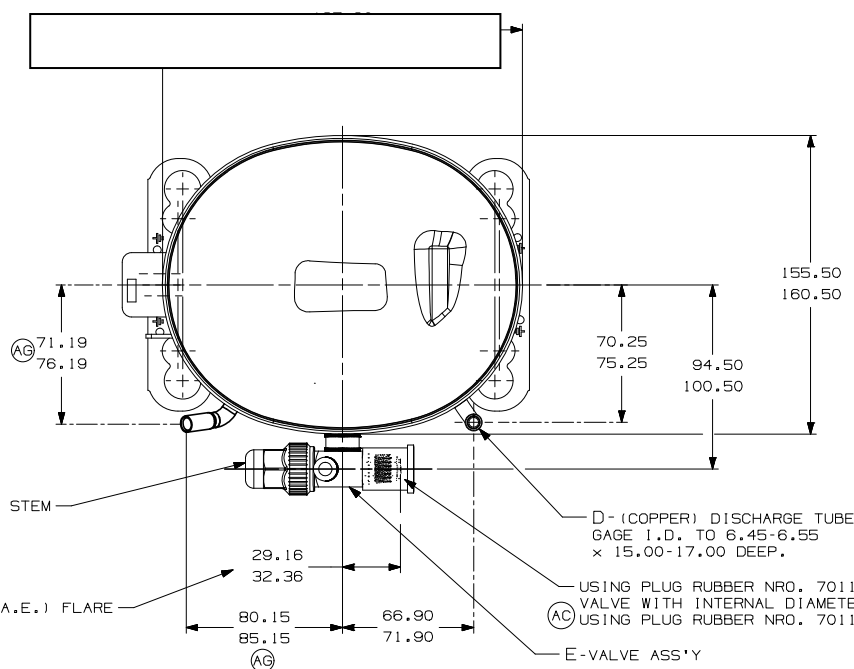


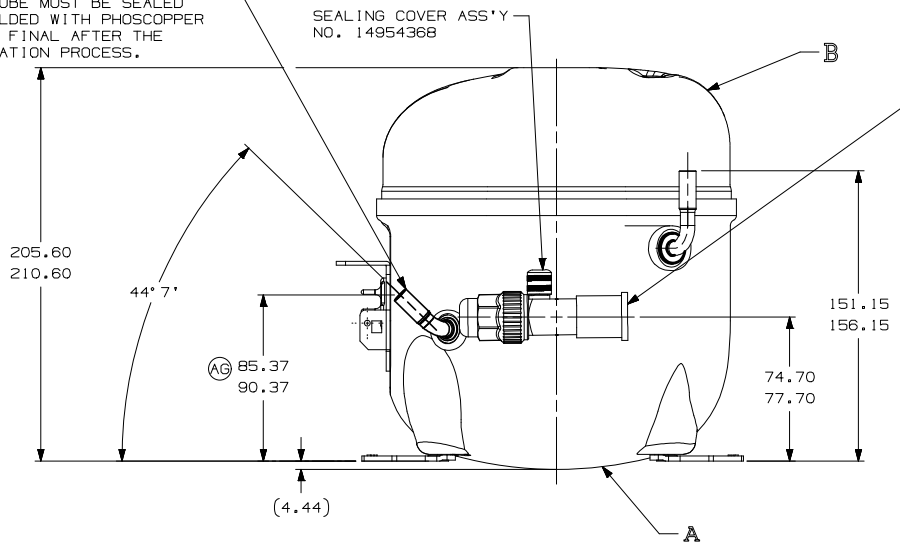
| ITEM | PART NUMBER |
|------|-------------|
| A    | 320-10375   |
| B    | 14963286    |
| C    | 14947663    |
| D    | 580-10243   |
| E    | BRA156512   |



-AUXILIARY VIEW-  
FASTENING DIMENSIONS



C-(COPPER) PROCESS TUBE  
GAGE I.D. TO 6.45-6.55  
x 15.00-17.00 DEEP.  
THIS TUBE MUST BE SEALED  
AND WELDED WITH PHOSCOPPER  
IN THE FINAL AFTER THE  
DEHYDRATION PROCESS.



- NOTES:
- 1- IF SPECIFIED IN BM. ASSEMBLE PARTS AS SHOWN.
  - 2- SEE SPEC. "A-B" & A-C FOR PROCESS.
  - 3- THERE CAN BE NO CREASES IN THE TUBES. (CREASES ARE SIGNS OR MARKS THAT ARE IN SOMETHING THAT BENDS)
  - 4- AFTER THE FOLDS IN THE TUBES, CANNOT BE ACCELERATED TO AREA EXCEEDING 30%.
  - 5- FOR SUPPLIER ENVIRONMENTAL REGULATORY REQUIREMENTS, SEE T.P.Co. GLOBAL SPEC.08.

| REV. | DESCRIPTION                     | DATE |
|------|---------------------------------|------|
| 01   | EC102987<br>14-02-15<br>RM, RG. |      |
| 02   | EC60776<br>14-02-15<br>RM, RG.  |      |
| 03   | EC70366<br>14-02-15<br>RM, RG.  |      |
| 04   | EC70373<br>14-02-15<br>RM, RG.  |      |
| 05   | EC88976<br>09-03-16<br>RM, RG.  |      |
| 06   | EC506897<br>03-03-15<br>RM, RG. |      |
| 07   | EC56516<br>10-03-14<br>RM, RG.  |      |

THIS DRAWING OR PRINT (1) IS THE PROPERTY OF TECUMSEH DO BRASIL LTDA. AND CONTAINS PROPRIETARY AND CONFIDENTIAL INFORMATION. IT IS TO BE USED ONLY FOR THE PURPOSES SPECIFIED HEREIN. IT IS NOT TO BE REPRODUCED, COPIED, OR TRANSMITTED IN ANY FORM OR BY ANY MEANS, WITHOUT THE WRITTEN CONSENT OF TECUMSEH DO BRASIL. IF YOU HAVE ANY QUESTIONS, PLEASE CONTACT TECUMSEH DO BRASIL. ALL RIGHTS ARE RESERVED. THIS DRAWING IS THE PROPERTY OF TECUMSEH DO BRASIL. IT IS TO BE USED ONLY FOR THE PURPOSES SPECIFIED HEREIN. IT IS NOT TO BE REPRODUCED, COPIED, OR TRANSMITTED IN ANY FORM OR BY ANY MEANS, WITHOUT THE WRITTEN CONSENT OF TECUMSEH DO BRASIL. IF YOU HAVE ANY QUESTIONS, PLEASE CONTACT TECUMSEH DO BRASIL. ALL RIGHTS ARE RESERVED.

**tecumseh**

SALES COMPRESSOR

PARTY NO. DCAE219

SCALE 1:2

PAGE 1/1

DATE 21-01-14

REF. W. CORREA

FAMILY AE2