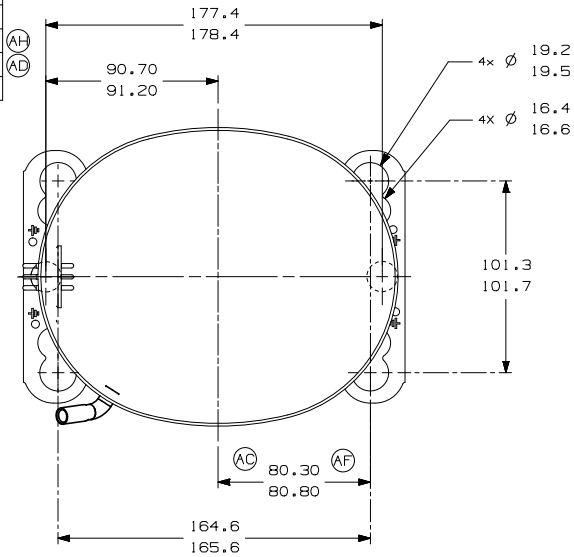
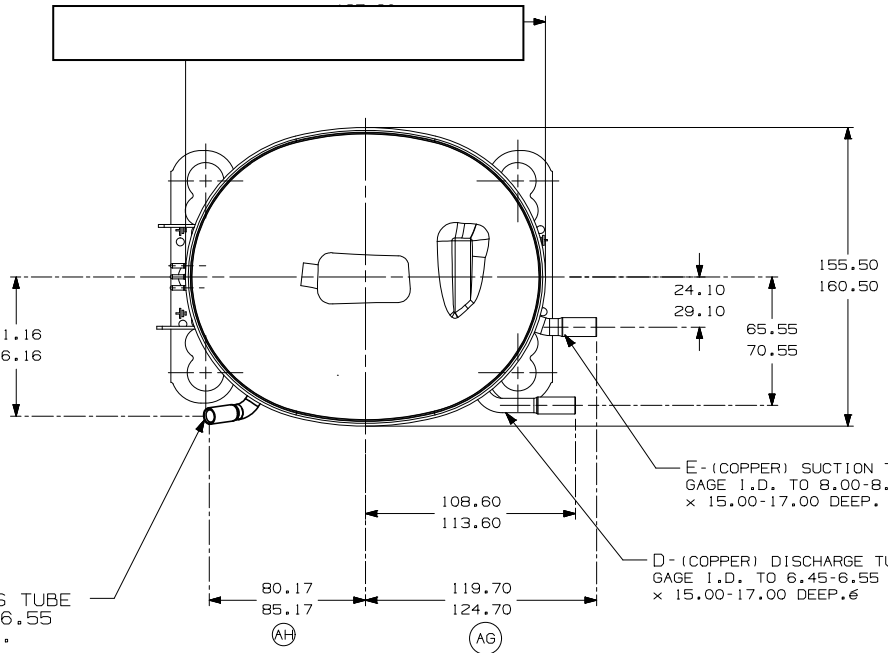


| ITEM | PART NUMBER |
|------|-------------|
| A    | 320-10233   |
| B    | 14963286    |
| C    | 14947663    |
| D    | 580-10243   |
| E    | 580-10019   |



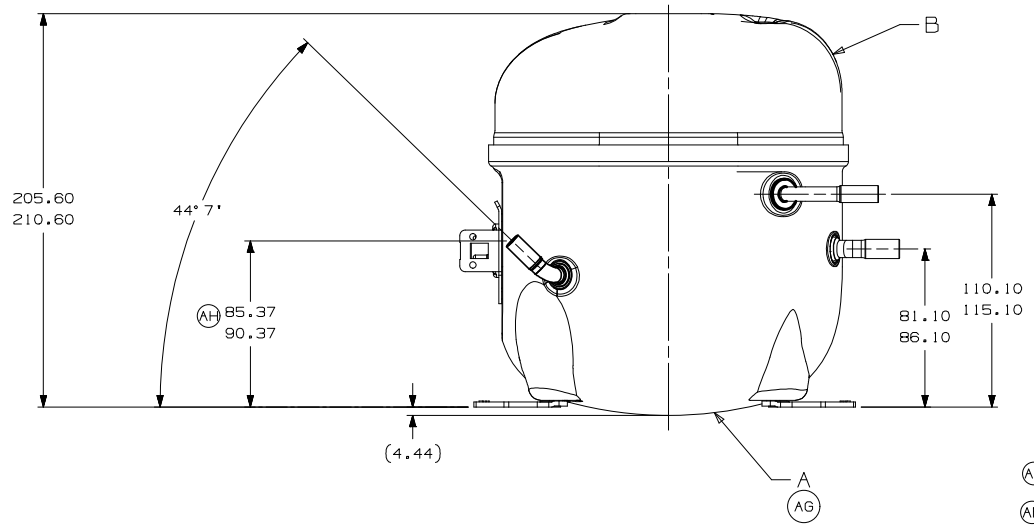
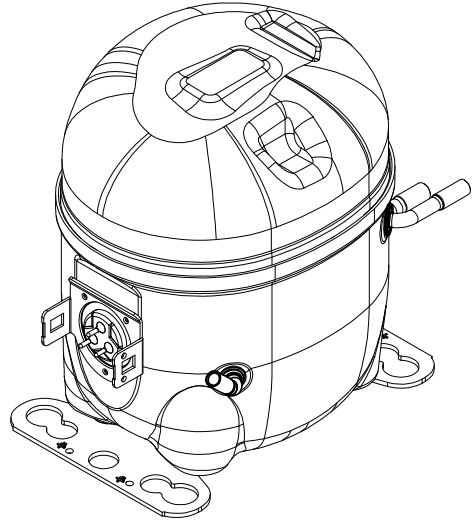
- AUXILIARY VIEW -  
FASTENING DIMENSIONS

C- (COPPER) PROCESS TUBE  
GAGE I.D. TO 6.45-6.55  
× 15.00-17.00 DEEP.



E- (COPPER) SUCTION TUBE  
GAGE I.D. TO 8.00-8.10  
× 15.00-17.00 DEEP.

D- (COPPER) DISCHARGE TUBE  
GAGE I.D. TO 6.45-6.55  
× 15.00-17.00 DEEP.6



- NOTES:
- 1- IF SPECIFIED IN BM. ASSEMBLE PARTS AS SHOWN.
  - 2- SEE SPEC. "A-B" & A-C FOR PROCESS.
  - 3- THERE CAN BE NO CREASES IN THE TUBES (CREASES ARE SIGNS OR MARKS THAT ARE IN SOMETHING THAT BENDS).
  - 4- AFTER THE FOLDS IN THE TUBES, CANNOT BE ACCELERATED TO AREA EXCEEDING 30%.
  - 5- TUBES OF SUCTION, DISCHARGE AND PROCESS MUST BE FREE OF INK ON 15.8mm (5/8") FROM TOP OF THE TUBES AS SPEC. T.P.Co. A-B4.
  - 6- FOR SUPPLIER ENVIRONMENTAL REGULATORY REQUIREMENTS, SEE TECUMSEH GLOBAL SPEC. 08.

| UN/AN | REV             | DESCRIPTION   | DATE |
|-------|-----------------|---|------|
| B5    | ERA 91.60-96.60 |   |      |
| D4    | ERA 86.60-91.60 |   |      |
| E5    | ERA 72.10-77.10 |   |      |
| FB    | ERA 14963573    |   |      |
| AG    | 3A              | ATUALIZADA 320-10233                                  |      |
| AF    | A/2             | ALTERADA MEDIDA E/6 ERA: 82.30-82.60 E ACRESC. NOTA B |      |
| AE    | ..              | RETIRODO DETALHE DE PINTURAS                          |      |
| AD    | F/B             | ALTERADO TUBO DE DE 14963515                          |      |
| AG    | E/7             | ALTERADA MEDIDA ERA180.30-80.80                       |      |
| AB    | A/2             | ADICIONADO NOTA                                       |      |
| AA    |                 | LIBERACAO   |      |
| LT    | LC              | CHANGE  |      |

THIRD ANGLE PROJECTION

UNITS: mm

DRAWING SIZE: A2

IP: A SYMBOLS AS PROCEDURE 2-01-031 TECUMSEH OF BRAZIL

NAME: SALES COMPRESSOR

PARTY NO.: DCAE160

|               |                    |                    |           |          |
|---------------|--------------------|--------------------|-----------|----------|
| OWN. PAULO    | CK. ANDRE MARTINEZ | APR. WALTER CORREA | SCALE 1:2 | PAGE 1/1 |
| DATE 08-05-12 | REF.               |                    | FAMILY    | AE2      |