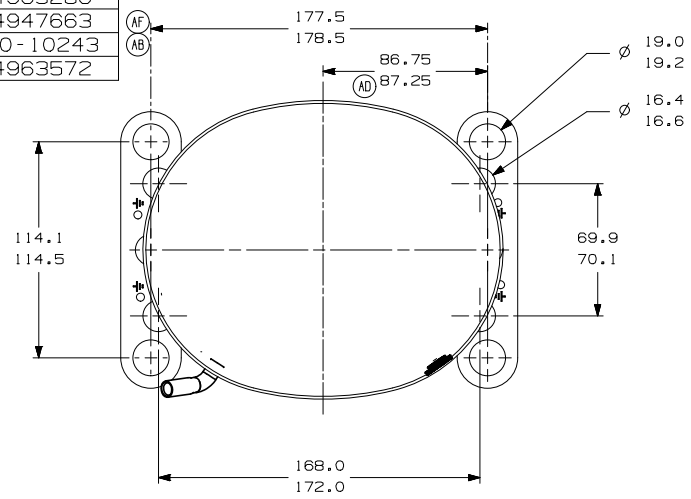
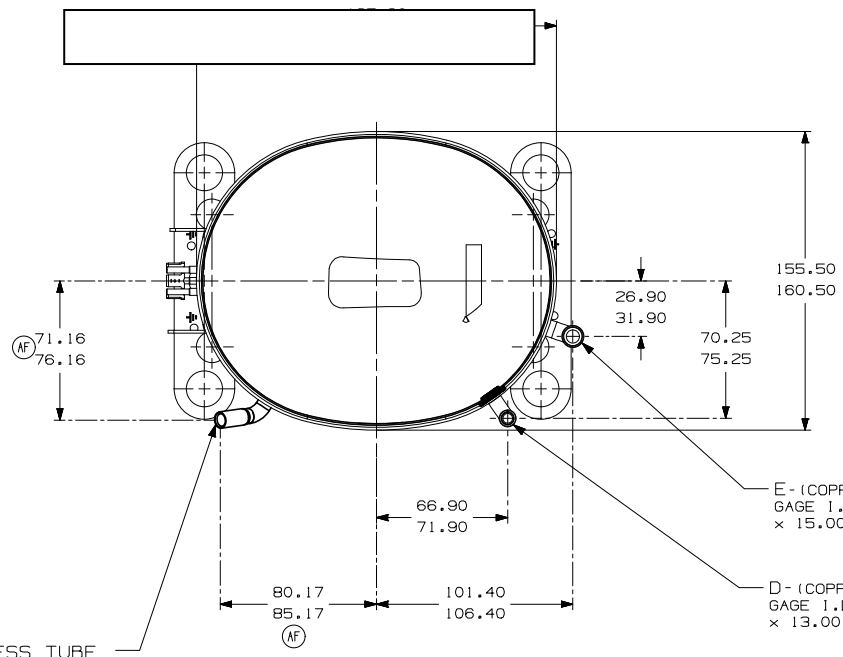


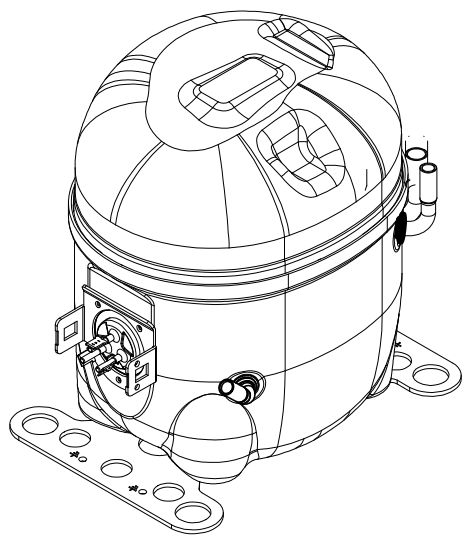
ITEM	PART NUMBER
A	320-10420
B	14963286
C	14947663
D	580-10243
E	14963572



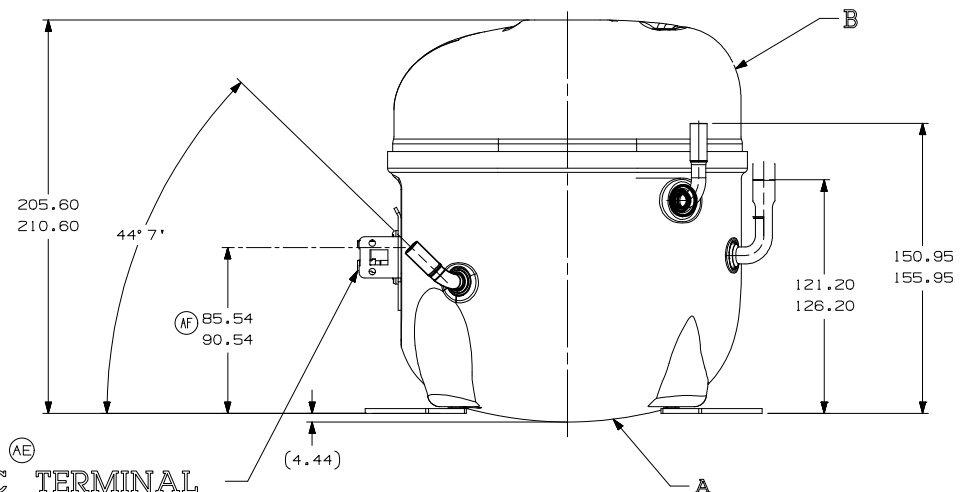
- AUXILIARY VIEW -
FASTENING DIMENSIONS



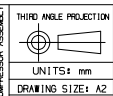
C - (COPPER) PROCESS TUBE
GAGE I.D. TO 6.45-6.55
x 15.00-17.00 DEEP.



HERMETIC TERMINAL
14945645 WITH
SPADE TERMINALS



- NOTES:
- 1- IF SPECIFIED IN BM. ASSEMBLY PARTS AS SHOWN.
 - 2- SEE SPEC. "A-B" & A-C FOR PROCESS.
 - 3- THERE CAN BE NO CREASES IN THE TUBES. (CREASES ARE SIGNS OR MARKS THAT ARE IN SOMETHING THAT BENDS)
 - 4- AFTER THE FOLDS IN THE TUBES, CANNOT BE ACCELERATED TO AREA EXCEEDING 30%.
 - 5- TUBES OF SUCTION, DISCHARGE AND PROCESS MUST BE FREE OF INK ON 15.8mm (5/8") FROM TOP OF THE TUBES AS SPEC. T.P.Co. A-B4.
 - 6- FOR SUPPLIER ENVIRONMENTAL REGULATORY REQUIREMENTS, SEE TECUMSEH GLOBAL SPEC. 08.



UNITS: mm
DRAWING SIZE: A2

- DO NOT SCALE THIS DRAWING. ALL DIMENSIONS ARE TO BE TAKEN FROM THE DRAWING. THIS DRAWING IS THE PROPERTY OF TECUMSEH DO BRASIL LTDA. AND CONTAINS PROPRIETARY AND CONFIDENTIAL INFORMATION. IT IS TO BE USED ONLY FOR THE MANUFACTURE OF THE PARTS AND ASSEMBLY OF THE EQUIPMENT FOR WHICH IT WAS DESIGNED. IT IS NOT TO BE REPRODUCED OR TRANSMITTED IN ANY FORM OR BY ANY MEANS, ELECTRONIC OR MECHANICAL, INCLUDING PHOTOCOPYING, RECORDING, OR BY ANY INFORMATION STORAGE AND RETRIEVAL SYSTEM, WITHOUT THE WRITTEN CONSENT OF TECUMSEH DO BRASIL. THIS DRAWING IS THE PROPERTY OF TECUMSEH DO BRASIL. IT IS TO BE USED ONLY FOR THE MANUFACTURE OF THE PARTS AND ASSEMBLY OF THE EQUIPMENT FOR WHICH IT WAS DESIGNED. IT IS NOT TO BE REPRODUCED OR TRANSMITTED IN ANY FORM OR BY ANY MEANS, ELECTRONIC OR MECHANICAL, INCLUDING PHOTOCOPYING, RECORDING, OR BY ANY INFORMATION STORAGE AND RETRIEVAL SYSTEM, WITHOUT THE WRITTEN CONSENT OF TECUMSEH DO BRASIL.



NAME			PARTY NO.	
SALES COMPRESSOR			DCAE689	
DWN. PAULO S.	CK. RAMIRO	APR. WALTER CORREA	SCALE 1:2	PAGE 1/1
DATE 14-07-14	REF.		FAMILY	AE2

REV.	DESCRIPTION	DATE
01	ERA 91.60-96.60	03-08-2007
02	ERA 86.60-91.60	03-08-2007
03	ERA 72.10-77.10	03-08-2007
04	ERA 14963573	03-08-2007
05	ATUALIZADA NOTA DE AVISO	03-08-2007
06	ALTERADA MEDIDA ERA: 86,75-89-25 E ADESC. NOTA B	03-08-2007
07	RETIRADO DETALHE (AREA LENTA DE PINTURA)	03-08-2007
08	ALETADO TUBO DE DESCARGA ERV: 14963518	03-08-2007
09	LIBERACAO	03-08-2007