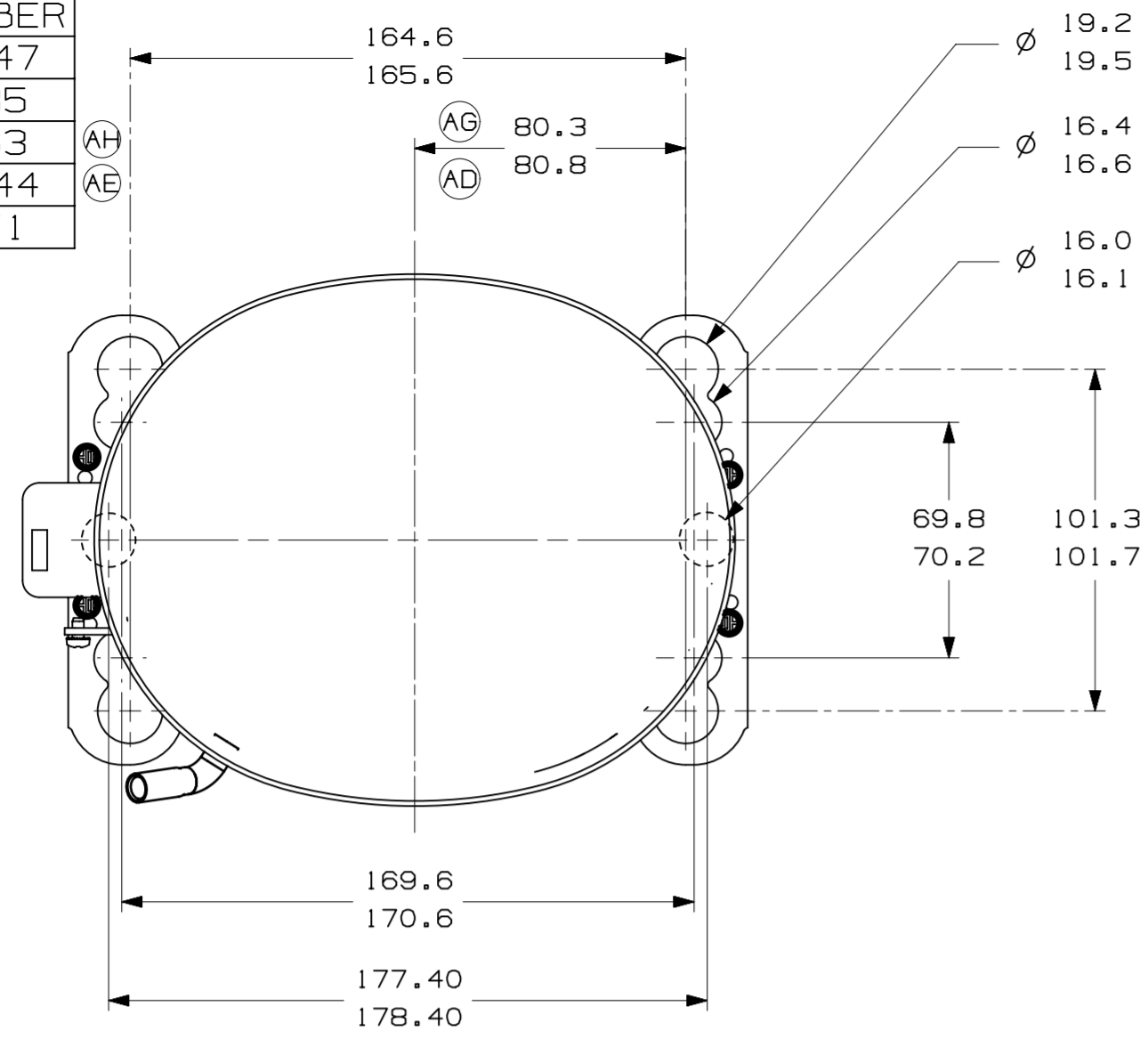
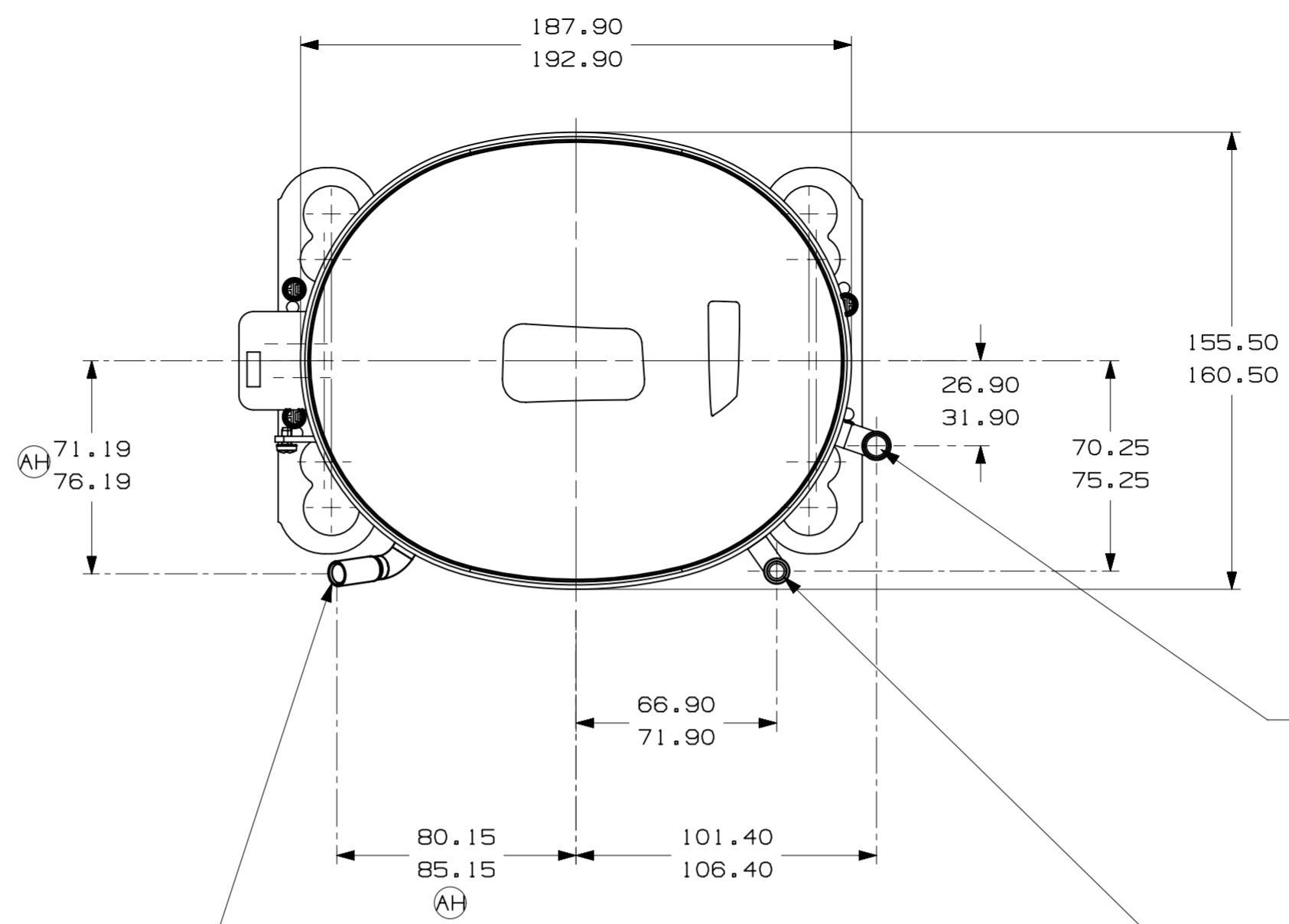


ITEM	PART NUMBER
A	320-10147
B	14963285
C	14947663
D	580-10244
E	14963571



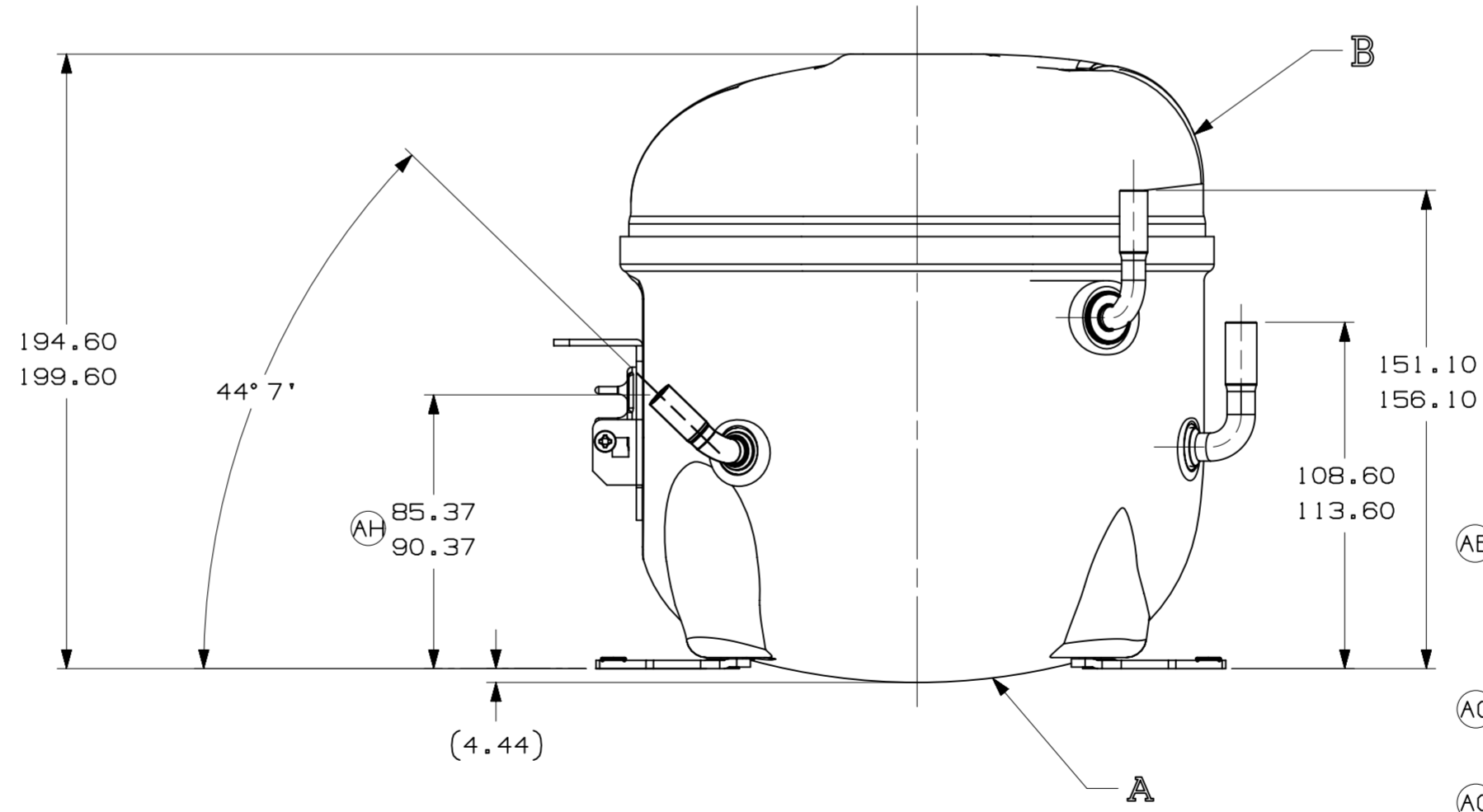
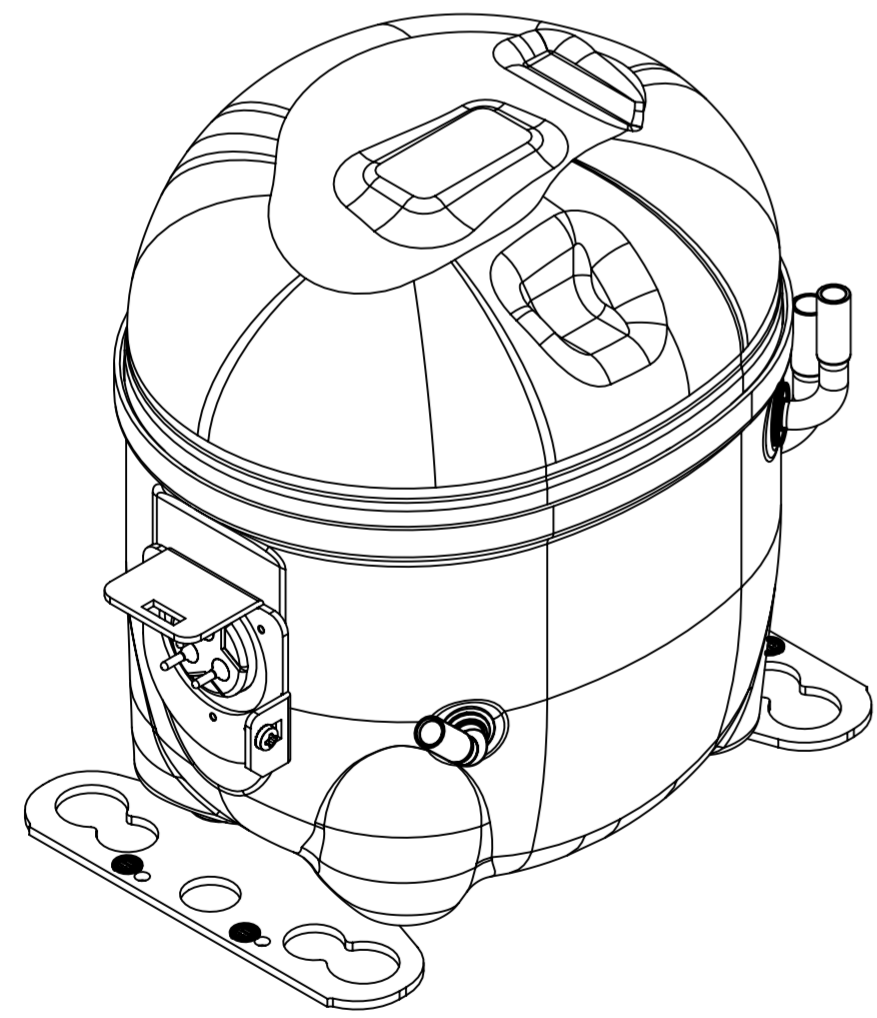
- AUXILIARY VIEW -  
FASTENING DIMENSIONS



E- (COPPER) SUCTION TUBE  
GAGE I.D. TO 8.00-8.10  
× 15.00-17.00 DEEP.

C- (COPPER) PROCESS TUBE  
GAGE I.D. TO 6.45-6.55  
× 15.00-17.00 DEEP.

D- (COPPER) DISCHARGE TUBE  
GAGE I.D. TO 6.45-6.55  
× 15.00-17.00 DEEP.



- NOTES:
- 1- IF SPECIFIED IN BM. ASSEMBLE PARTS AS SHOWN.
  - 2- SEE SPEC. "A-B" & A-C FOR PROCESS.
  - 3- THERE CAN BE NO CREASES IN THE TUBES. (CREASES ARE SIGNS OR MARKS THAT ARE IN SOMETHING THAT BENDS)
  - 4- AFTER THE FOLDS IN THE TUBES, CANNOT BE ACCELERATED TO AREA EXCEEDING 30%.
  - 5- TUBES OF SUCTION, DISCHARGE AND PROCESS MUST BE FREE OF INK ON 15.8mm (5/8") FROM TOP OF THE TUBES AS SPEC. T.P.Co. A-B4.
  - 6- FOR SUPPLIER ENVIRONMENTAL REGULATORY REQUIREMENTS, SEE TECUMSEH GLOBAL SPEC. 08.

LT	LC	CHANGE	DATE
AA		LIBERACAO	08/06/12 28/08/11 J.B. / A.M
AB		ACRESCENTADA NOTAS 3 E 4	08/06/12 28/08/11 J.B. / A.M
A/2		REVISADA NOTAS 3 E 4	08/06/12 28/08/11 J.B. / A.M
AC	A/2	ADICIONADO NOTA	13-09-13
AD	F/7	ALTERADA MEDIDA ERA:180-30-80.80	31-01-14 R.G.
AE	F/B	ALTERADO TUBO D ERA: 14963519	03-03-15 R.G.
AF		RETIRADO DETALHE (AREA ISENTA DE PINTURA)	08-06-16 W.C.
AG	A/3 F/7	ALTERADA MEDIDA (AREA ISENTA DE PINTURA) E ACRESC. NOTA 6	14-02-18 R.G.
AE		ERA 91.60-96.60	02-05-22 G.M. R.G.
AE		ERA 86.60-91.60	
AE		ERA 72.10-77.10	
AE		ERA 14963573	

THIS DRAWING OR PRINT (1) IS THE PROPERTY OF TECUMSEH DO BRASIL LTDA. AND CONTAINS PROPRIETARY AND CONFIDENTIAL INFORMATION BELONGING TO TECUMSEH DO BRASIL. IT IS TO BE USED ONLY FOR THE SPECIFIC CONDITION THAT IT RELATES TO. THE INFORMATION CONTAINED HEREON OR DISCLOSED OR MADE AVAILABLE TO OTHERS WITHOUT THE EXPRESS AND SPECIFIC WRITTEN CONSENT OF TECUMSEH DO BRASIL AND ANY REPRODUCTION OR USE OF THIS DRAWING OR PRINT WITHOUT THE WRITTEN CONSENT OF TECUMSEH DO BRASIL IS STRICTLY PROHIBITED. AS SUCH, IT IS TO BE RETURNED TO TECUMSEH DO BRASIL AND NOT OTHERWISE (1/1) SHALL NOT BE COPIED OR TO ANY EXTENT WITH- OUT TECUMSEH DO BRASIL PRIOR EXPRESS AND SPECIFIC WRITTEN CONSENT AND (1/1) SHALL BE RETURNED BY THE RECIPIENT LATTER'S REQUEST PROMPTLY AFTER SUCH REQUEST IS MADE.		THIRD ANGLE PROJECTION 
UNITS: mm DRAWING SIZE: A2		
NAME: SALES COMPRESSOR PART NO.: DCAE212		SCALE: 1:2 PAGE: 1/1
DATE: 12/09/11	REF.:	FAMILY: AE2