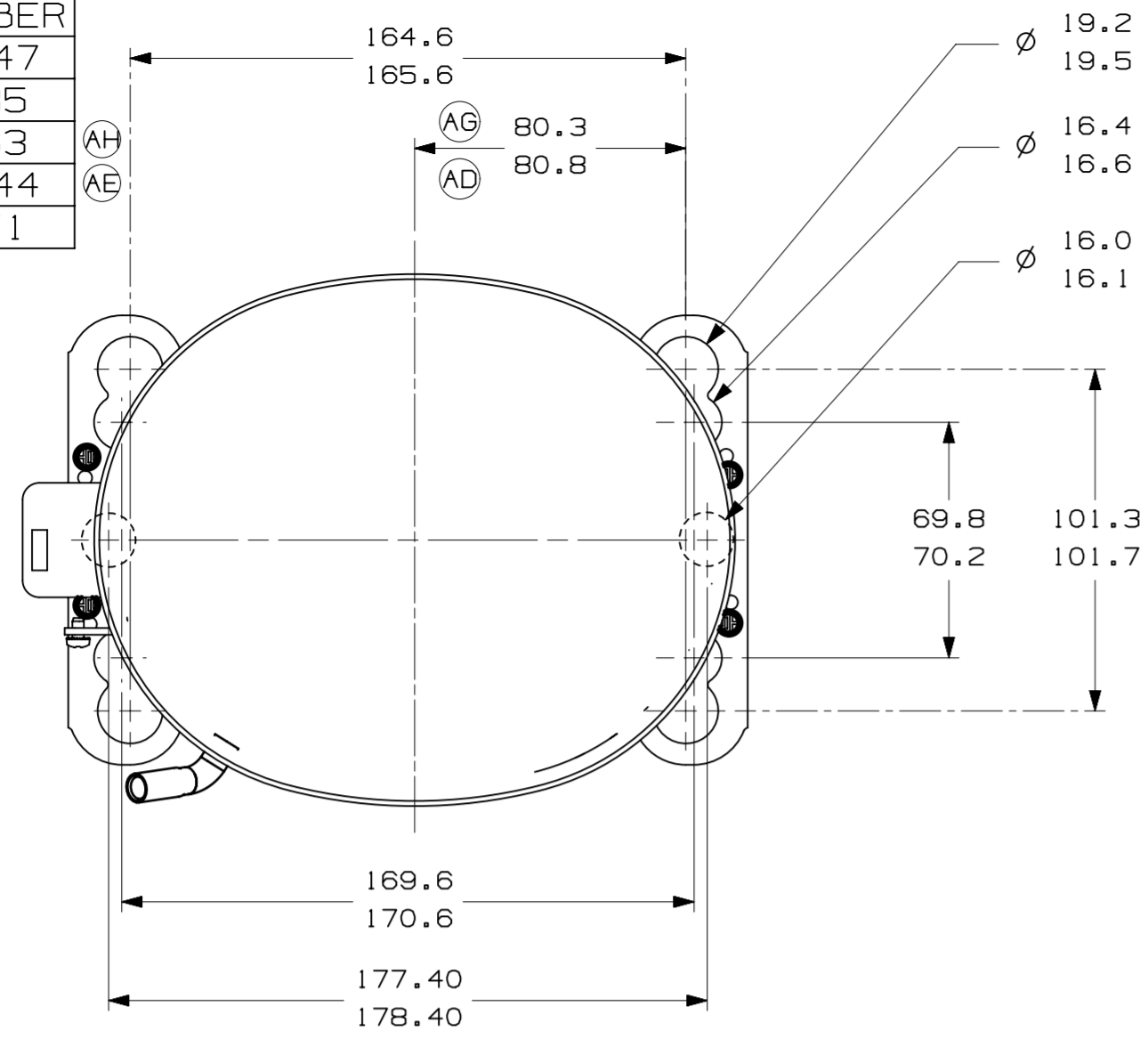
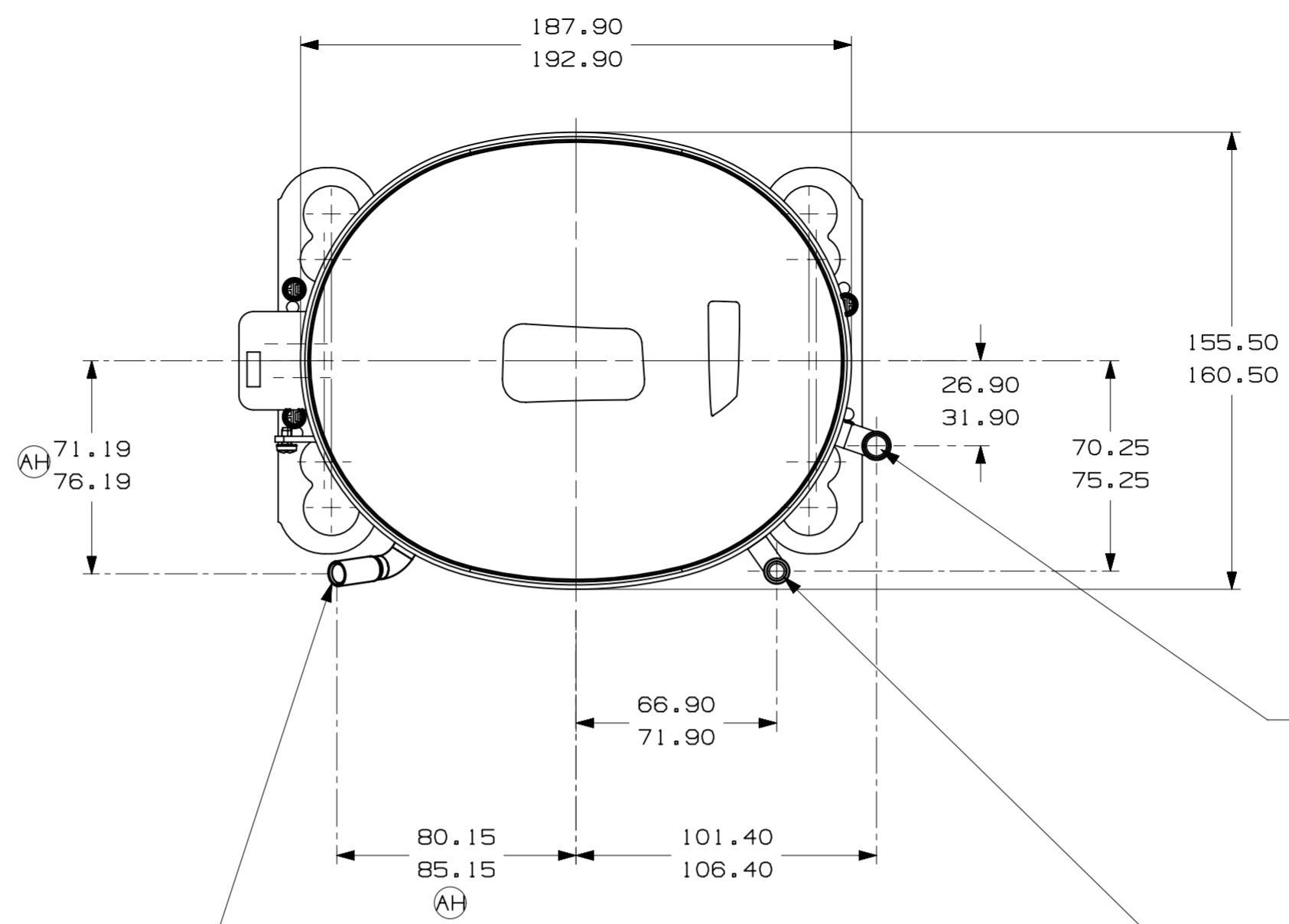


ITEM	PART NUMBER
A	320-10147
B	14963285
C	14947663
D	580-10244
E	14963571



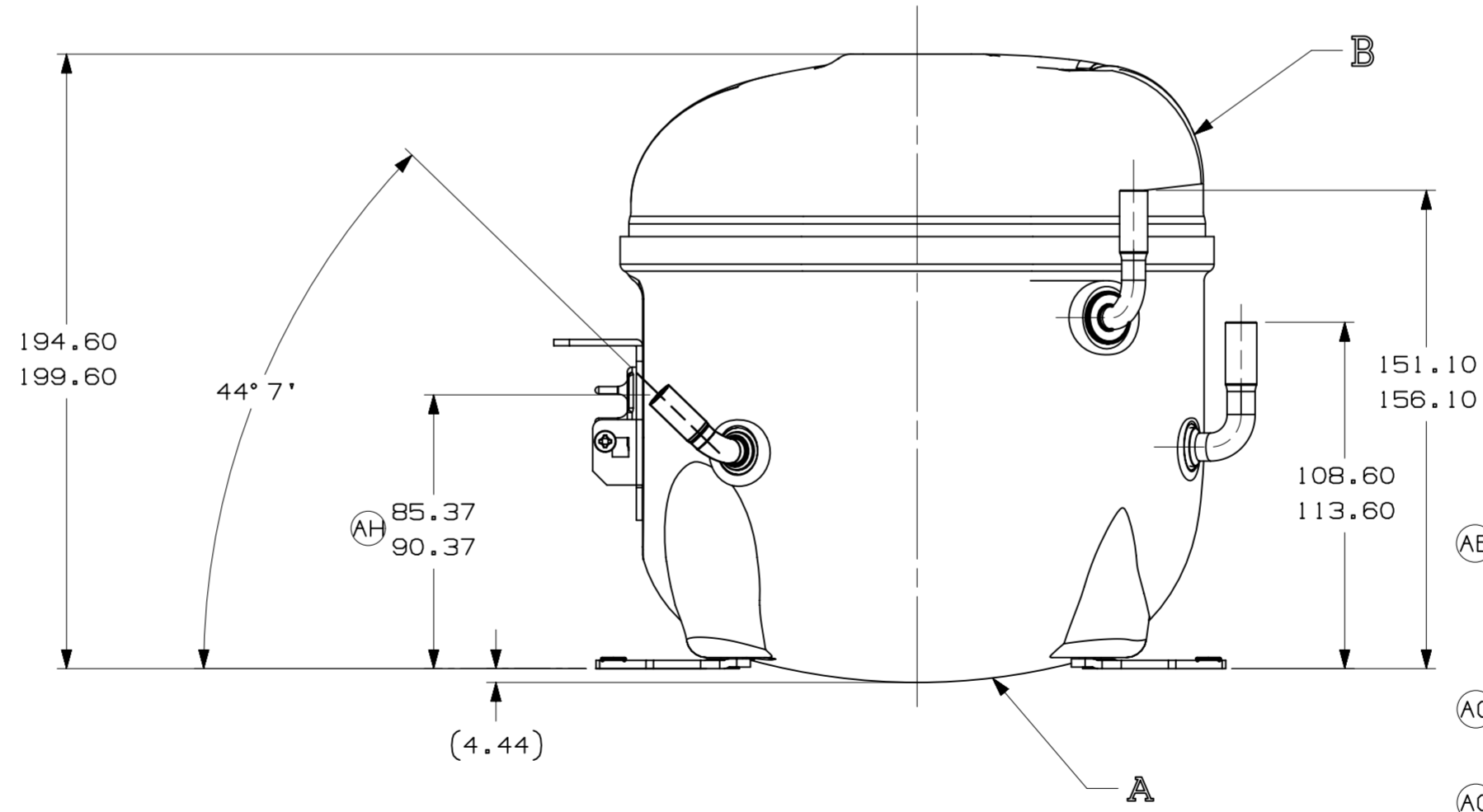
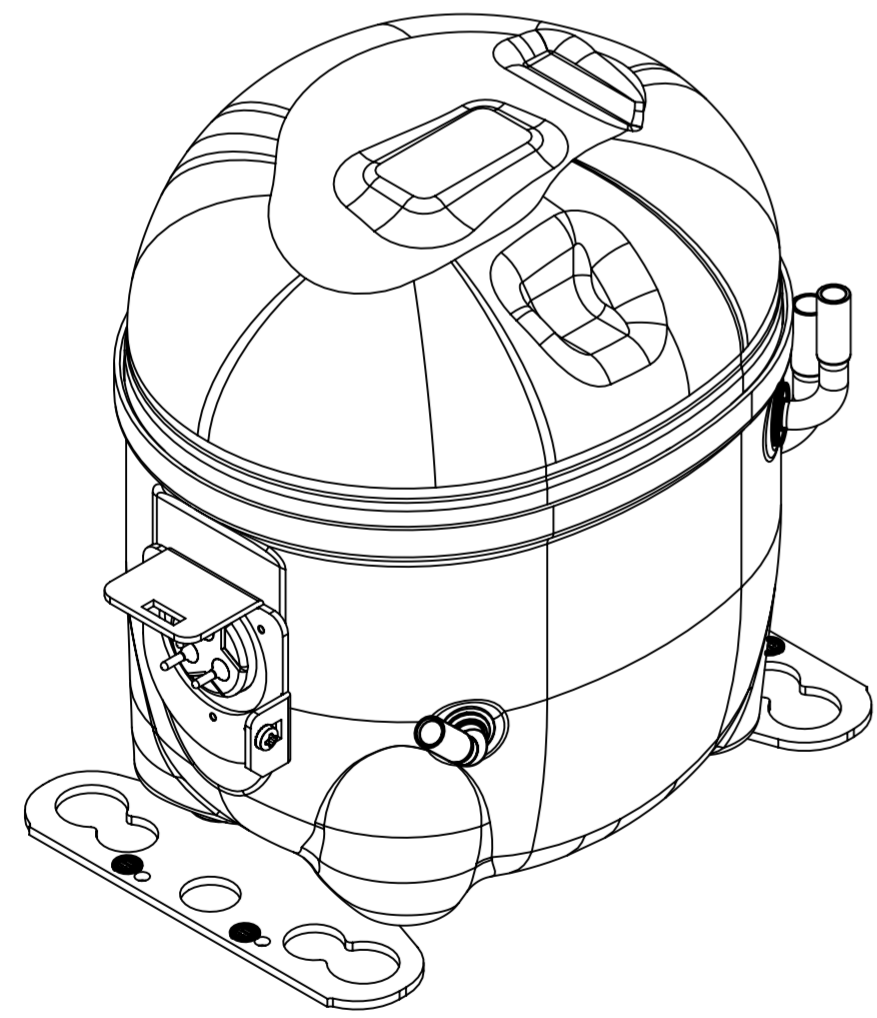
- AUXILIARY VIEW -
FASTENING DIMENSIONS



E- (COPPER) SUCTION TUBE
GAGE I.D. TO 8.00-8.10
× 15.00-17.00 DEEP.

C- (COPPER) PROCESS TUBE
GAGE I.D. TO 6.45-6.55
× 15.00-17.00 DEEP.

D- (COPPER) DISCHARGE TUBE
GAGE I.D. TO 6.45-6.55
× 15.00-17.00 DEEP.



- NOTES:
- 1- IF SPECIFIED IN BM. ASSEMBLE PARTS AS SHOWN.
 - 2- SEE SPEC. "A-B" & A-C FOR PROCESS.
 - 3- THERE CAN BE NO CREASES IN THE TUBES. (CREASES ARE SIGNS OR MARKS THAT ARE IN SOMETHING THAT BENDS)
 - 4- AFTER THE FOLDS IN THE TUBES, CANNOT BE ACCELERATED TO AREA EXCEEDING 30%.
 - 5- TUBES OF SUCTION, DISCHARGE AND PROCESS MUST BE FREE OF INK ON 15.8mm (5/8") FROM TOP OF THE TUBES AS SPEC. T.P.Co. A-B4.
 - 6- FOR SUPPLIER ENVIRONMENTAL REGULATORY REQUIREMENTS, SEE TECUMSEH GLOBAL SPEC. 08.

EC102387 02-05-22 GM. RG.	EC60775 14-02-18 PS. RG.	EC70388 08-06-16 AMP. WC.	EC59887 03-03-15 PS. RG.	EC49189 31-01-14 PS. RG.	EC52840 AMP. WC. 13-09-13	EC44035 08/06/12 PS. A.M.	EC40829 28/08/11 J.B. / A.M.	DATE		
ERA 91.60-96.60	ERA 86.60-91.60	ERA 72.10-77.10	ERA 14963573	ALTERADA MEDIDA (AREA ISENTA DE PINTURA) ERA: 82.30-82.80 E ACRESC. NOTA 6	RETIRADO DETALHE (AREA ISENTA DE PINTURA)	ALTERADO TUBO D ERA: 14963519	ALTERADA MEDIDA ERA: 180.30-80.80	ADICIONADO NOTA		
B5	D4	E5	F8	A/3	F/7	F/7	A/2	A/2		
AG	AD	AE	AF	AG	AD	AE	AF	AG		
LT	LC	CHANGE	DATE	THIS DRAWING OR PRINT (1) IS THE PROPERTY OF TECUMSEH DO BRASIL LTDA. AND CONTAINS PROPRIETARY AND CONFIDENTIAL INFORMATION BELONGING TO TECUMSEH DO BRASIL. IT IS TO BE USED ONLY FOR THE SPECIFIC CONDITION THAT IT RELATES TO. IT IS NOT TO BE REPRODUCED, COPIED, EITHER IN WHOLE OR IN PART, OR DISCLOSED OR MADE AVAILABLE TO OTHERS WITHOUT THE EXPRESS AND SPECIFIC WRITTEN CONSENT OF TECUMSEH DO BRASIL AND TECUMSEH OF BRAZIL. ANY REPRODUCTION OR DISSEMINATION WITHOUT THE WRITTEN CONSENT OF TECUMSEH DO BRASIL AND TECUMSEH OF BRAZIL IS STRICTLY PROHIBITED. ALL RIGHTS ARE RESERVED. (1/1) SHALL NOT BE COPIED OR TO ANY EXTENT WITH- OUT THE WRITTEN CONSENT AND (1/1) SHALL BE RETURNED BY THE RECIPIENT LATTER'S REQUEST PROMPTLY AFTER SUCH REQUEST IS MADE.					THIRD ANGLE PROJECTION	
UNITS: mm								SCALE	PAGE	
DRAWING SIZE: A2								NAME	PART NO.	
D. A. SYMBOLS AS PROCEDURE 2.01.031 TECUMSEH OF BRAZIL								SALES COMPRESSOR	DCAE212	
* = CATEGORY I ▲ = CATEGORY II ■ = CATEGORY III □ = CATEGORY IV								SCALE	PAGE	
DATE								1:2	1/1	
12/09/11								FAMILY	AE2	