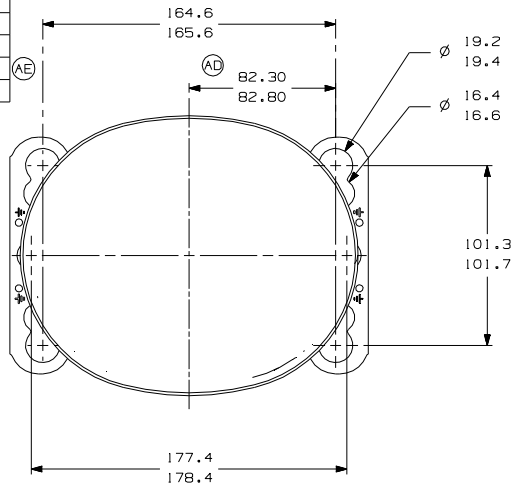
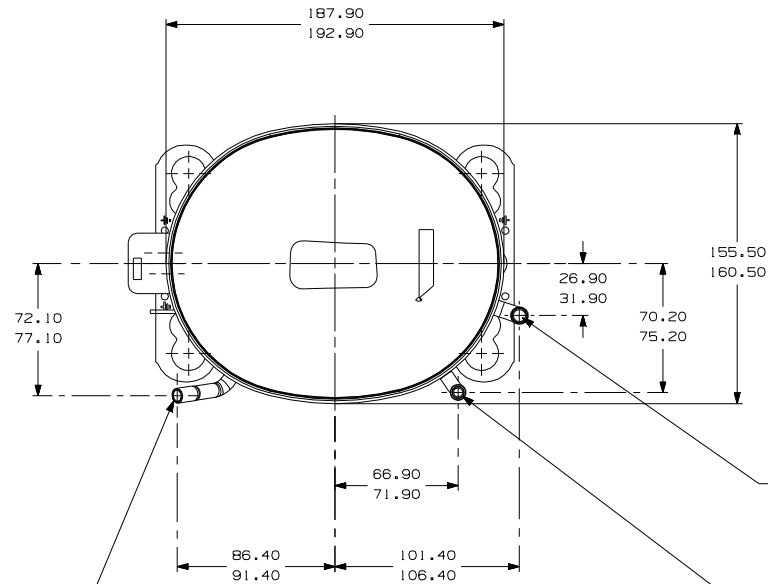


ITEM	PART NUMBER
A	320-10155
B	14963286
C	14963573
D	580-10244
E	14963571



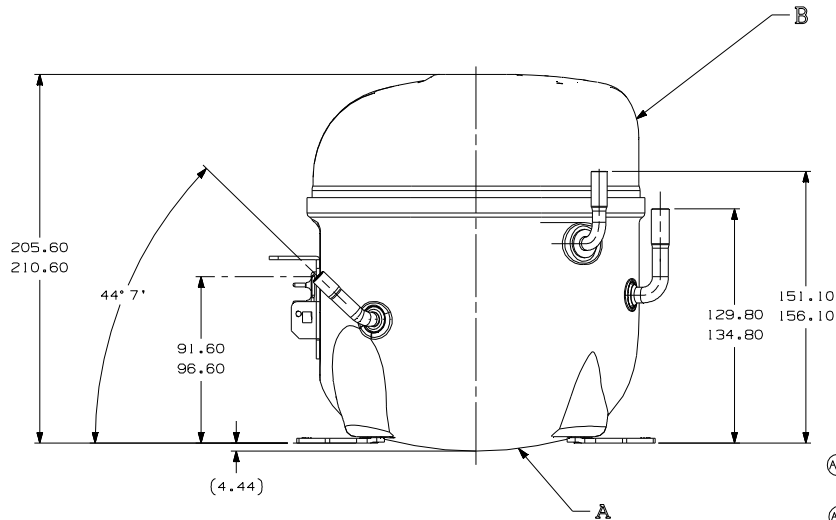
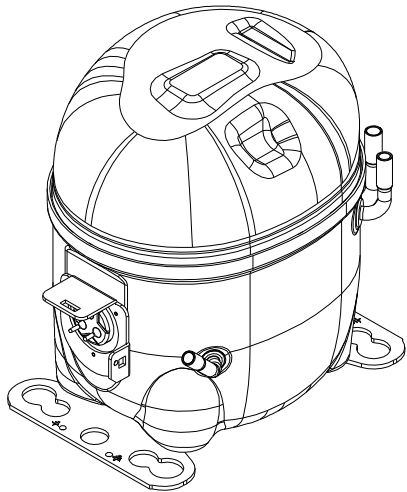
- AUXILIARY VIEW -
FASTENING DIMENSIONS



C - (COPPER) PROCESS TUBE
GAGE I.D. TO 6.45-6.55
× 15.00-17.00 DEEP.

E - (COPPER) SUCTION TUBE
GAGE I.D. TO 8.00-8.10
× 18.00-19.00 DEEP.

D - (COPPER) DISCHARGE TUBE
GAGE I.D. TO 6.45-6.55
× 13.00-15.00 DEEP.



- NOTES:
- 1- IF SPECIFIED IN BM, ASSEMBLE PARTS AS SHOWN.
 - 2- SEE SPEC. "A-B" & A-C FOR PROCESS.
 - 3- THERE CAN BE NO CREASES IN THE TUBES. (CREASES ARE SIGNS OR MARKS THAT ARE IN SOMETHING THAT BENDS)
 - 4- AFTER THE FOLDS IN THE TUBES, CANNOT BE ACCELERATED TO AREA EXCEEDING 30%.
 - 5- TUBES OF SUCTION, DISCHARGE AND PROCESS MUST BE FREE OF INK ON 15.8mm (5/8") FROM TOP OF THE TUBES AS SPEC. T.P.Co. A-B4.

REV.	LT	LC	CHANGE	DATE
EC70398	PS	08-08-18	RE.	2011/11/11
EC259687	PS	03-03-16	RE.	J.B. / A.M.
EC48188	PS	21-01-14	RE.	
EC50840	AMP	13-09-13	RE.	
EC44035	PS	08/06/12	A.M.	
EC41412	PS	2011/11/11	A.M.	

REV.	DESCRIPTION
AF	RETRABO DE TUBO DE FUMIGACAO
AE F/B	ALTERACAO TUBO D ENRAB: 14963573
AD F/7	ALTERACAO MED DA ENRAB: 30-80-80
AC A/2	ADICIONADO NOTA
A/2	REVISAO NOTAS 3 E 4
AB	ACRESCENTADA NOTAS 3 E 4
AA	LIBERACAO

THIS DRAWING OR PRINT IS THE PROPERTY OF TECUMSEH OF BRAZIL, LTD. AND CONTAINS INFORMATION THAT IS UNCLASSIFIED, UNCONTROLLED, UNRECORDED AND UNREGISTERED. IT IS THE PROPERTY OF TECUMSEH OF BRAZIL, LTD. AND IS TO BE USED ONLY FOR THE PURPOSES SPECIFIED IN THE DRAWING. IT IS TO BE KEPT IN A SAFE PLACE AND NOT TO BE LOANED, REPRODUCED, COPIED, OR IN ANY MANNER DISSEMINATED TO OTHERS WITHOUT THE EXPRESS AND SPECIFIC WRITTEN PERMISSION OF TECUMSEH OF BRAZIL, LTD. ANY INFORMATION CONTAINED HEREIN IS UNCLASSIFIED EXCEPT WHERE SHOWN OTHERWISE. THIS INFORMATION IS UNCLASSIFIED EXCEPT WHERE SHOWN OTHERWISE. THIS INFORMATION IS UNCLASSIFIED EXCEPT WHERE SHOWN OTHERWISE. THIS INFORMATION IS UNCLASSIFIED EXCEPT WHERE SHOWN OTHERWISE.

THIRD ANGLE PROJECTION

UNITS: MM

DRAWING SIZE: A2

NAME: SALES COMPRESSOR

PART NO.: DCAE209

OWN: J. BARBANO

CK: ANDRE MARTINEZ

APP: WALTER CORREA

SCALE: 1:2

PAGE: 1/1

DATE: 09/06/11

REF.

FAMILY: AE2