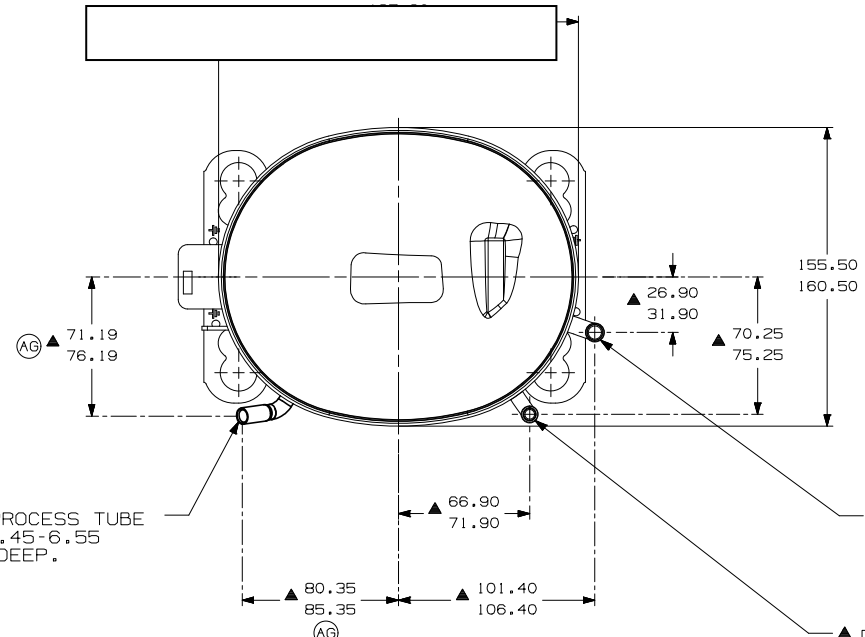


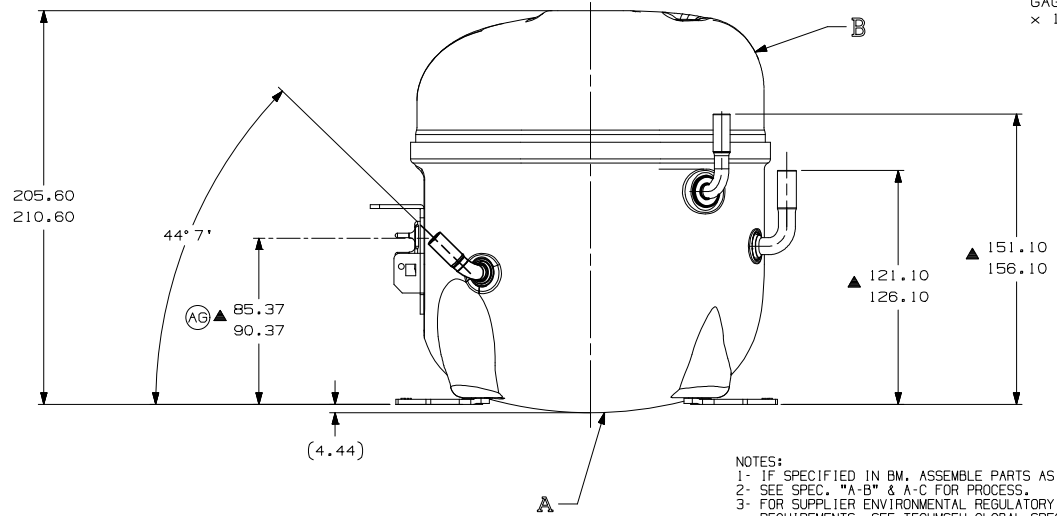
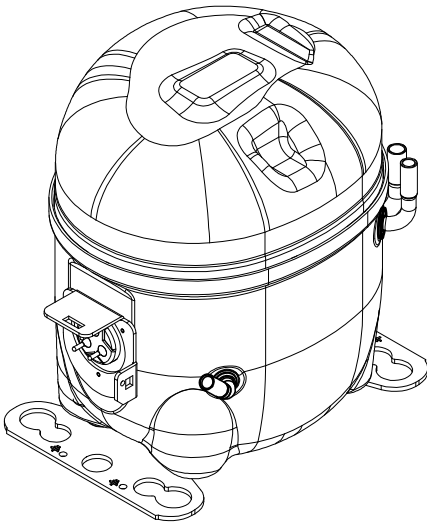
- AUXILIARY VIEW -  
FASTENING DIMENSIONS



▲ C - (COPPER) PROCESS TUBE  
GAGE I.D. TO 6.45-6.55  
× 15.00-17.00 DEEP.

▲ E - (COPPER) SUCTION TUBE  
GAGE I.D. TO 8.00-8.10  
× 15.00-17.00 DEEP.

▲ D - (COPPER) DISCHARGE TUBE  
GAGE I.D. TO 6.45-6.55  
× 15.00-17.00 DEEP.



- NOTES:
- 1- IF SPECIFIED IN BM, ASSEMBLE PARTS AS SHOWN.
  - 2- SEE SPEC. "A-B" & A-C FOR PROCESS.
  - 3- FOR SUPPLIER ENVIRONMENTAL REGULATORY REQUIREMENTS, SEE TECUMSEH GLOBAL SPEC. 08
  - 4- THERE CAN BE NO CREASES IN THE TUBES. (CREASES ARE SIGNS OR MARKS THAT ARE IN SOMETHING THAT BENDS)
  - 5- AFTER THE FOLDS IN THE TUBES, CANNOT BE ACCELERATED TO AREA EXCEEDING 30%.
  - 6- TUBES OF SUCTION, DISCHARGE AND PROCESS MUST BE FREE OF INK ON 15.8mm (5/8") FROM TOP OF THE TUBES AS SPEC. T.P.Co. A-B4.

ITEM	PART NUMBER
A	320-10229
B	14963286
C	14947663
D	580-10243
E	14963571

REV.	DATE	BY	CHK.	DESCRIPTION
01	13-09-13	PS	AM	EC45076
02	13-09-13	PS	AM	EC45076
03	13-09-13	PS	AM	EC45076
04	13-09-13	PS	AM	EC45076
05	13-09-13	PS	AM	EC45076
06	13-09-13	PS	AM	EC45076
07	13-09-13	PS	AM	EC45076
08	13-09-13	PS	AM	EC45076
09	13-09-13	PS	AM	EC45076
10	13-09-13	PS	AM	EC45076
11	13-09-13	PS	AM	EC45076
12	13-09-13	PS	AM	EC45076
13	13-09-13	PS	AM	EC45076
14	13-09-13	PS	AM	EC45076
15	13-09-13	PS	AM	EC45076
16	13-09-13	PS	AM	EC45076
17	13-09-13	PS	AM	EC45076
18	13-09-13	PS	AM	EC45076
19	13-09-13	PS	AM	EC45076
20	13-09-13	PS	AM	EC45076
21	13-09-13	PS	AM	EC45076
22	13-09-13	PS	AM	EC45076
23	13-09-13	PS	AM	EC45076
24	13-09-13	PS	AM	EC45076
25	13-09-13	PS	AM	EC45076
26	13-09-13	PS	AM	EC45076
27	13-09-13	PS	AM	EC45076
28	13-09-13	PS	AM	EC45076
29	13-09-13	PS	AM	EC45076
30	13-09-13	PS	AM	EC45076
31	13-09-13	PS	AM	EC45076
32	13-09-13	PS	AM	EC45076
33	13-09-13	PS	AM	EC45076
34	13-09-13	PS	AM	EC45076
35	13-09-13	PS	AM	EC45076
36	13-09-13	PS	AM	EC45076
37	13-09-13	PS	AM	EC45076
38	13-09-13	PS	AM	EC45076
39	13-09-13	PS	AM	EC45076
40	13-09-13	PS	AM	EC45076
41	13-09-13	PS	AM	EC45076
42	13-09-13	PS	AM	EC45076
43	13-09-13	PS	AM	EC45076
44	13-09-13	PS	AM	EC45076
45	13-09-13	PS	AM	EC45076
46	13-09-13	PS	AM	EC45076
47	13-09-13	PS	AM	EC45076
48	13-09-13	PS	AM	EC45076
49	13-09-13	PS	AM	EC45076
50	13-09-13	PS	AM	EC45076

THIS DRAWING OR PRINT IS THE PROPERTY OF TECUMSEH DO BRASIL, LDA, AND CONTAINS PROPRIETARY AND CONFIDENTIAL INFORMATION. IT IS TO BE USED ONLY FOR THE PURPOSES SPECIFIED HEREIN. ALL INFORMATION CONTAINED HEREIN IS UNCLASSIFIED AND IS AVAILABLE TO THE PUBLIC. ANY REPRODUCTION, DISTRIBUTION, OR DISCLOSURE OF THIS INFORMATION WITHOUT THE WRITTEN CONSENT OF TECUMSEH DO BRASIL, LDA, IS STRICTLY PROHIBITED. ANY REPRODUCTION, DISTRIBUTION, OR DISCLOSURE OF THIS INFORMATION WITHOUT THE WRITTEN CONSENT OF TECUMSEH DO BRASIL, LDA, IS STRICTLY PROHIBITED. ANY REPRODUCTION, DISTRIBUTION, OR DISCLOSURE OF THIS INFORMATION WITHOUT THE WRITTEN CONSENT OF TECUMSEH DO BRASIL, LDA, IS STRICTLY PROHIBITED.

THIRD ANGLE PROJECTION

UNITS: mm

DRAWING SIZE: A2

★ = CATEGORY I  
● = CATEGORY II  
▲ = CATEGORY III  
■ = CATEGORY IV

NAME: SALES COMPRESSOR

DATE: 19/04/12

SCALE: 1:2

PAGE: 1/1

FAMILY: AE2

PART NO.: DCAE679