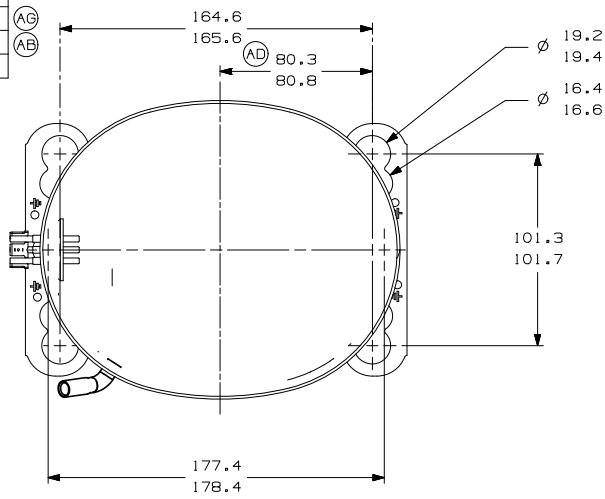
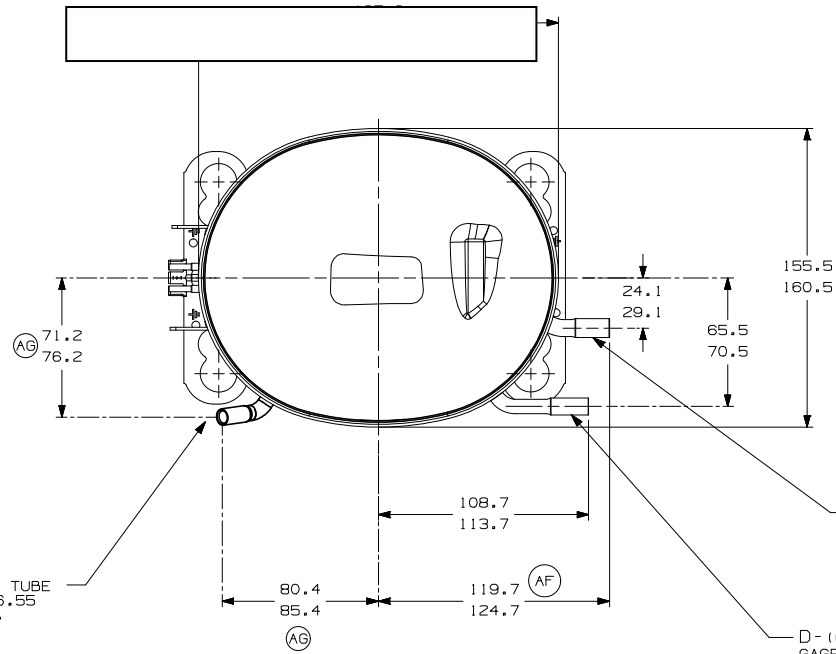


ITEM	PART NUMBER
A	320-10367
B	14963286
C	14947663
D	580-10244
E	580-10019



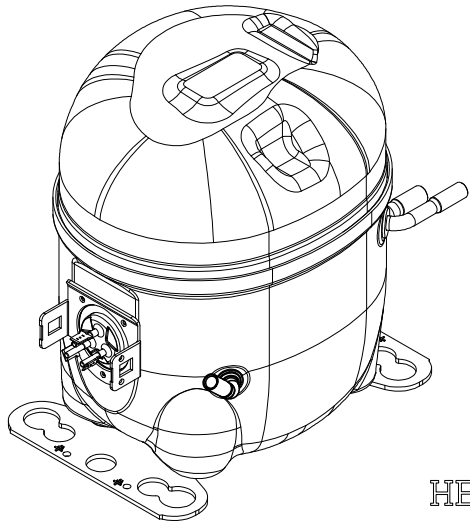
- AUXILIARY VIEW -
FASTENING DIMENSIONS



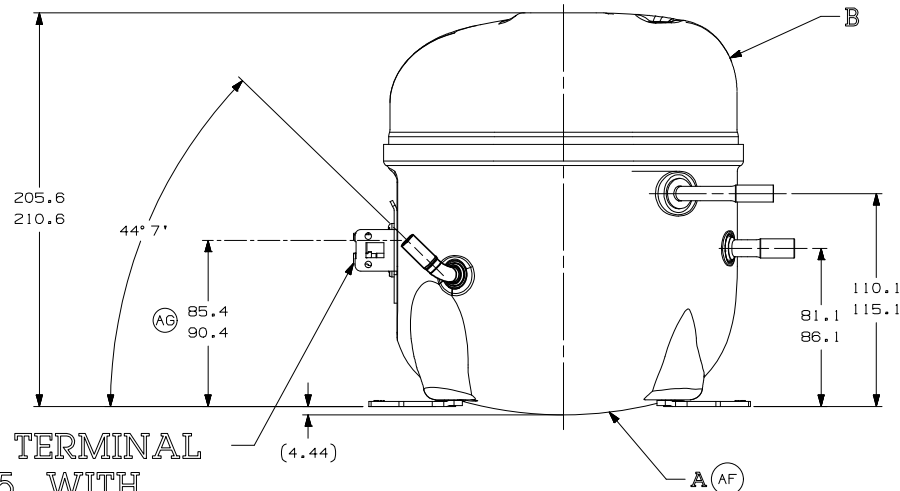
C - (COPPER) PROCESS TUBE
GAGE I.D. TO 6.45-6.55
× 15.00-17.00 DEEP.

E - (COPPER) SUCTION TUBE
GAGE I.D. TO 8.00-8.10
× 15.00-17.00 DEEP.

D - (COPPER) DISCHARGE TUBE
GAGE I.D. TO 6.45-6.55
× 15.00-17.00 DEEP.



HERMETIC TERMINAL
14945645 WITH
SPADE TERMINALS



NOTES:

- 1- IF SPECIFIED IN BM. ASSEMBLE PARTS AS SHOWN.
- 2- SEE SPEC. "A-B" & A-C FOR PROCESS.
- 3- THERE CAN BE NO CREASES IN THE TUBES. (CREASES ARE SIGNS OR MARKS THAT ARE IN SOMETHING THAT BENDS)
- 4- AFTER THE FOLDS IN THE TUBES, CANNOT BE ACCELERATED TO AREA EXCEEDING 30%.
- 5- FOR SUPPLIER ENVIRONMENTAL REGULATORY REQUIREMENTS, SEE TECUMSEH GLOBAL SPEC. 08.

AD

REV.	DESCRIPTION	DATE
B5	ERA 91.60-96.60	
D4	ERA 86.60-91.60	
E5	ERA 72.10-77.10	
F8	ERA 14963573	
30	ATUALIZADA 320-10367	
AF	30	
AE	B/6 ATUALIZADA, NOTA DE AVISO	
AD	A/3 ALTERADA MEDIDA ERA: 82.30-82.80 F/7 E ACRESC. NOTA 5	
AC	RETIRADO DETALHE (AREA LENTA DE PINTURA)	
AB	F/8 ALTERADO TUBO D ERA: 14963519	
AA	LIBERACAO	
LT	LC CHANGE	

THIS DRAWING OR PRINT IS THE PROPERTY OF TECUMSEH DO BRASIL LTDA. AND CONTAINS PROPRIETARY AND CONFIDENTIAL INFORMATION. IT IS TO BE KEPT IN STRICTLY CONFIDENTIAL AND NOT TO BE MADE AVAILABLE TO THE RESIDENT OR THE USER WITHOUT THE WRITTEN CONSENT OF TECUMSEH DO BRASIL. IT IS TO BE DESTROYED OR RECYCLED PROMPTLY AFTER SUCH REQUEST IS MADE.

DRIVING SIZE: A2

UNITS: mm

SCALE: 1:2

DATE: 24/10/13

SALES COMPRESSOR

PARTY NO. DCAE683

DWN. PAULO S.	CK. RAMIRO G.	APR. WALTER CORREA	SCALE 1:2	PAGE 1/1
DATE 24/10/13	REF.		FAMILY AE2	