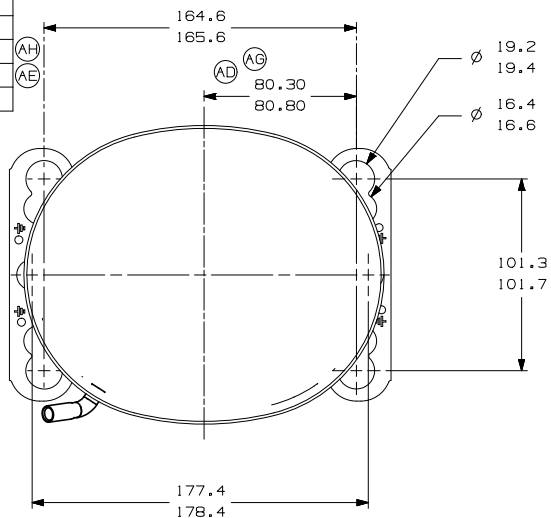
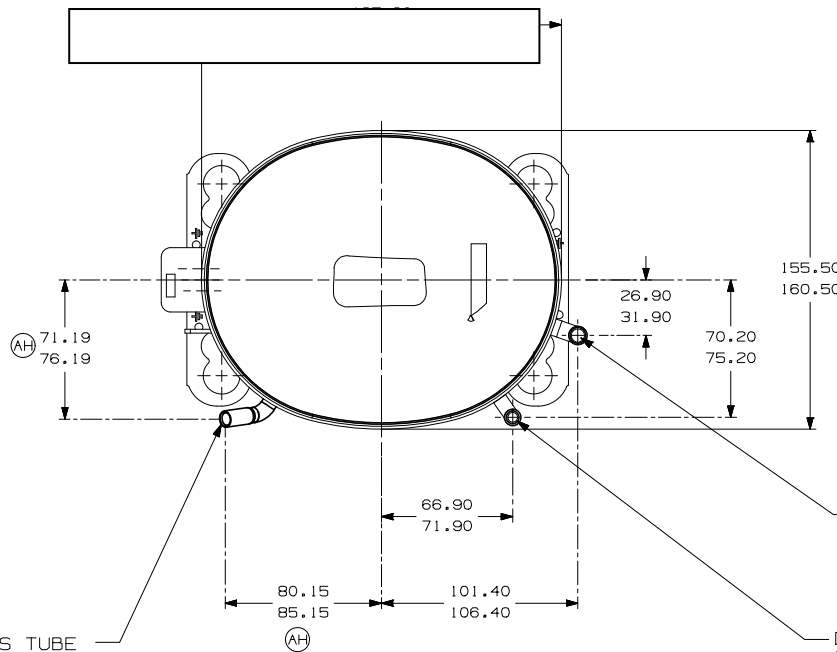


ITEM	PART NUMBER
A	320-10155
B	14963286
C	14947663
D	580-10244
E	14963571



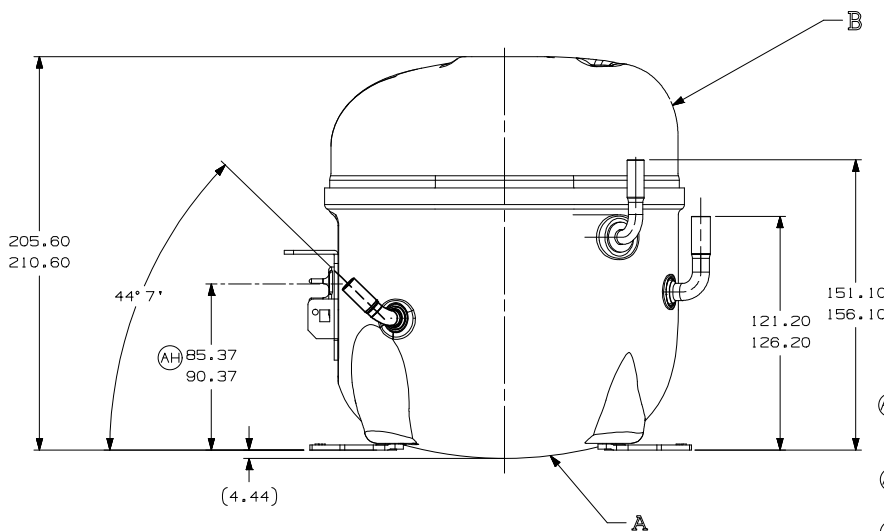
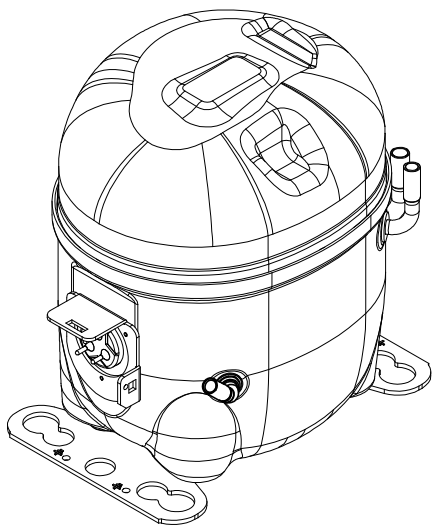
- AUXILIARY VIEW -
FASTENING DIMENSIONS



E - (COPPER) SUCTION TUBE
GAGE I.D. TO 8.00-8.10
× 18.00-19.00 DEEP.

D - (COPPER) DISCHARGE TUBE
GAGE I.D. TO 6.45-6.55
× 13.00-15.00 DEEP.

C - (COPPER) PROCESS TUBE
GAGE I.D. TO 6.45-6.55
× 15.00-17.00 DEEP.



NOTES:

- 1- IF SPECIFIED IN BM. ASSEMBLE PARTS AS SHOWN.
- 2- SEE SPEC. "A-B" & A-C FOR PROCESS.
- 3- THERE CAN BE NO CREASES IN THE TUBES. (CREASES ARE SIGNS OR MARKS THAT ARE IN SOMETHING THAT BENDS)
- 4- AFTER THE FOLDS IN THE TUBES, CANNOT BE ACCELERATED TO AREA EXCEEDING 30%.
- 5- TUBES OF SUCTION, DISCHARGE AND PROCESS MUST BE FREE OF INK ON 15.8mm (5/8") FROM TOP OF THE TUBES AS SPEC. T.P.Co. A-B4.
- 6- FOR SUPPLIER ENVIRONMENTAL REGULATORY REQUIREMENTS, SEE TECUMSEH GLOBAL SPEC. 08.

THIRD ANGLE PROJECTION

UNITS: mm

DRAWING SIZE: A2

REV. A: SYMBOLS AS PROCEDURE 2.01.031 TECUMSEH OF BRAZIL

★ = CATEGORY I
 ■ = CATEGORY II
 ■ = CATEGORY III
 ■ = CATEGORY IV



NAME			PARTY NO.	
SALES COMPRESSOR			DCAE209	
DWN. J. BARBANO	CK. ANDRE MARTINEZ	APR. WALTER CORREA	SCALE 1:2	PAGE 1/1
DATE 09/06/11	REF.		FAMILY	AE2

REV.	DESCRIPTION	DATE
B5	ERA 91.60-96.60	EC03667
D4	ERA 86.60-91.60	EC102287
E5	ERA 72.10-77.10	EC102287
FB	ERA 14963573	EC102287
A/2	ALTERADA MEDIDA ERA: 82.30-82.80	EC80775
F/7	ALTERADA MEDIDA ERA: 82.30-82.80	EC102287
AF	RETIRO DO DETALHE (AREA TUBERIA DE PINTURA)	EC70388
F/8	ALTERADO TUBO D	EC03667
F/7	ALTERADA MEDIDA ERA: 14963218	EC03667
A/2	ADICIONADO NOTA	EC46188
A/2	REVISADA NOTAS 3 E 4	EC52640
A/2	ACRESCENTADA NOTAS 3 E 4	EC44026
AA	LIBERACAO	EC41412
LT	CHANGE	EC41412

THIS DRAWING OR PRINT IS THE PROPERTY OF TECUMSEH DO BRASIL LTDA. AND CONTAINS PROPRIETARY AND CONFIDENTIAL INFORMATION. IT IS TO BE KEPT IN STRICTLY CONFIDENTIAL AND NOT TO BE REPRODUCED OR DISCLOSED OR MADE AVAILABLE TO OTHERS WITHOUT THE WRITTEN CONSENT OF TECUMSEH DO BRASIL. THIS INFORMATION IS TO BE USED ONLY FOR THE SPECIFIC PROJECT AND NOT TO BE REPRODUCED OR DISCLOSED OR MADE AVAILABLE TO OTHERS WITHOUT THE WRITTEN CONSENT OF TECUMSEH DO BRASIL. ALL FEES SHALL BE PAID TO TECUMSEH DO BRASIL. THIS DRAWING IS THE PROPERTY OF TECUMSEH DO BRASIL. IT IS TO BE KEPT IN STRICTLY CONFIDENTIAL AND NOT TO BE REPRODUCED OR DISCLOSED OR MADE AVAILABLE TO OTHERS WITHOUT THE WRITTEN CONSENT OF TECUMSEH DO BRASIL. ALL FEES SHALL BE PAID TO TECUMSEH DO BRASIL. THIS DRAWING IS THE PROPERTY OF TECUMSEH DO BRASIL. IT IS TO BE KEPT IN STRICTLY CONFIDENTIAL AND NOT TO BE REPRODUCED OR DISCLOSED OR MADE AVAILABLE TO OTHERS WITHOUT THE WRITTEN CONSENT OF TECUMSEH DO BRASIL. ALL FEES SHALL BE PAID TO TECUMSEH DO BRASIL.