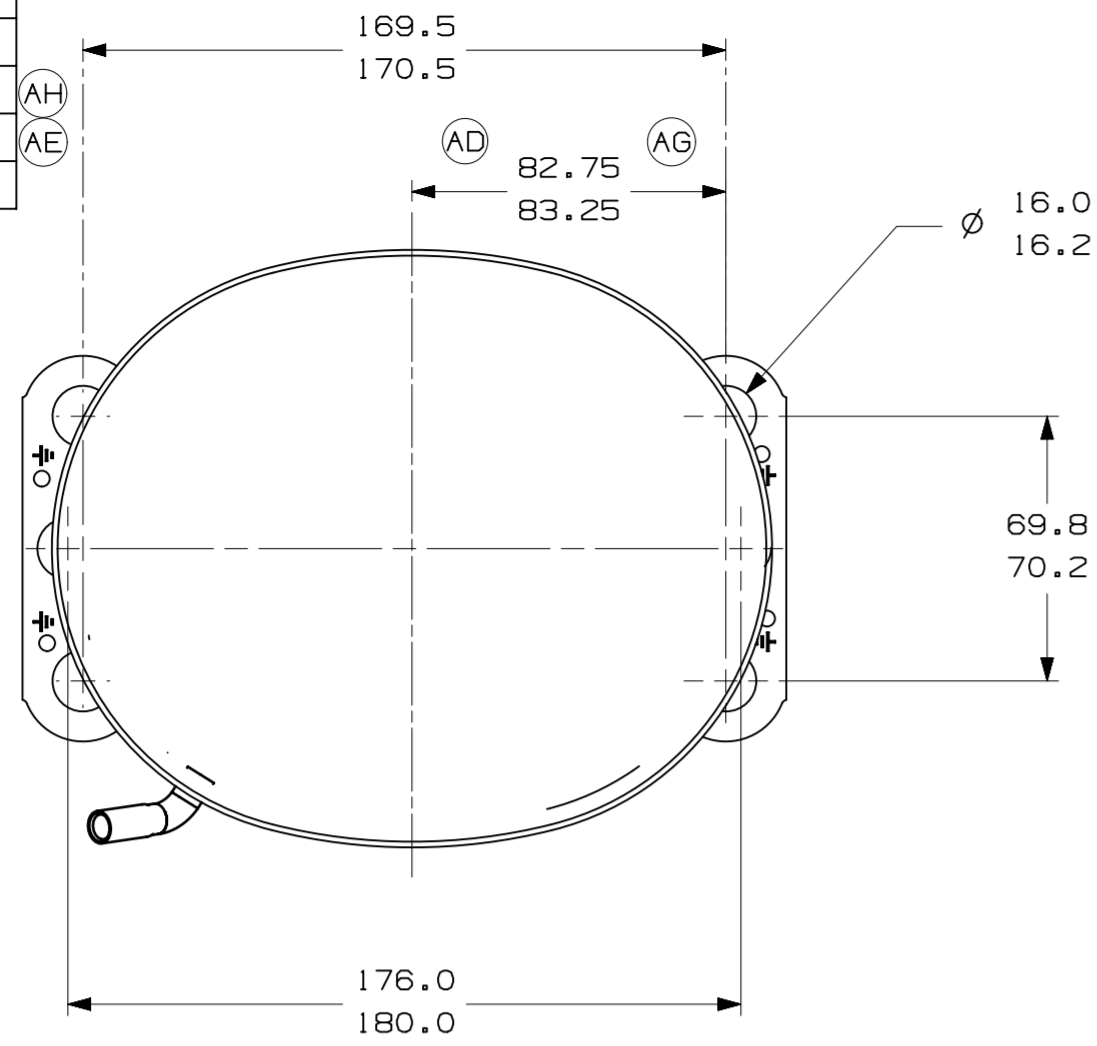
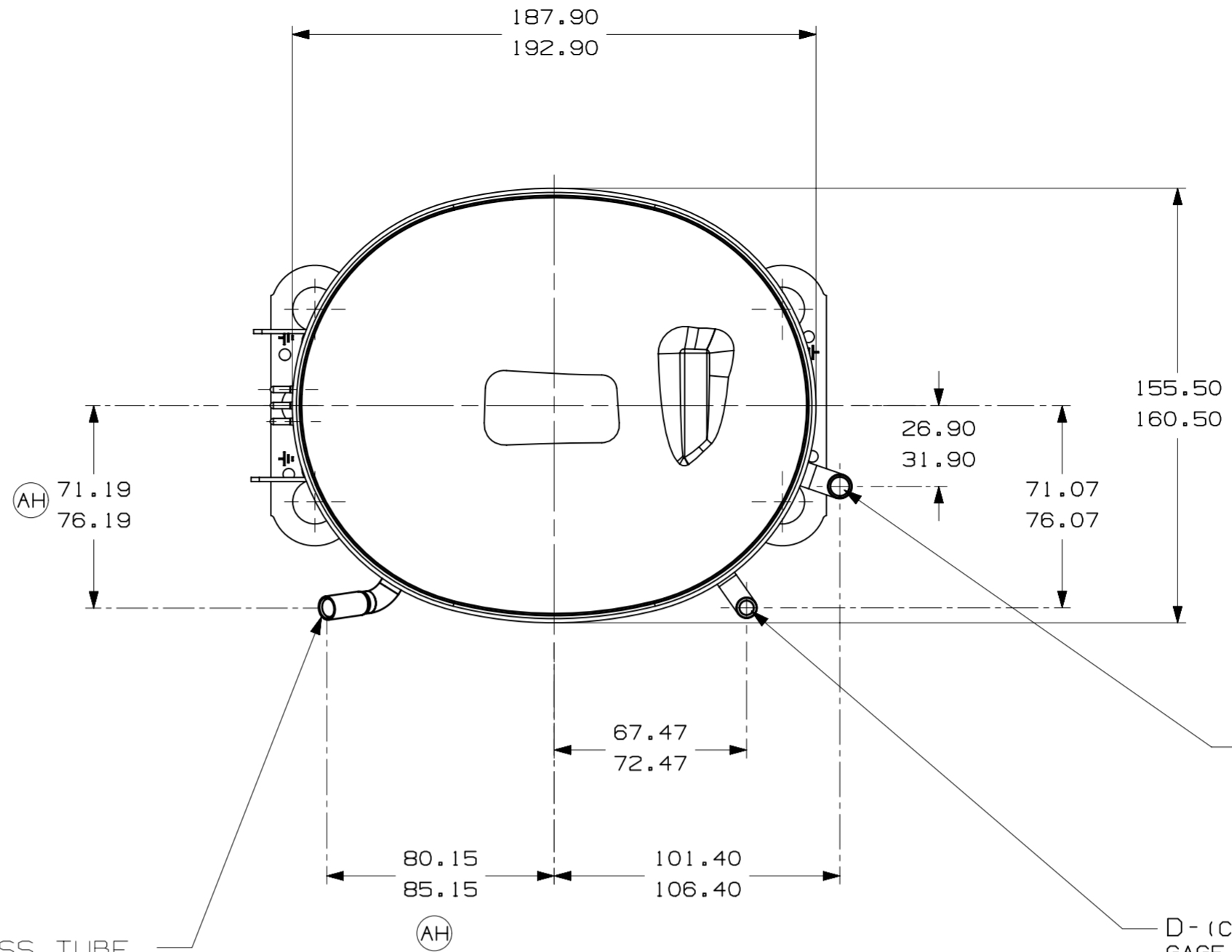


ITEM	PART NUMBER
A	320-10212
B	14963286
C	14947663
D	580-10245
E	14963570



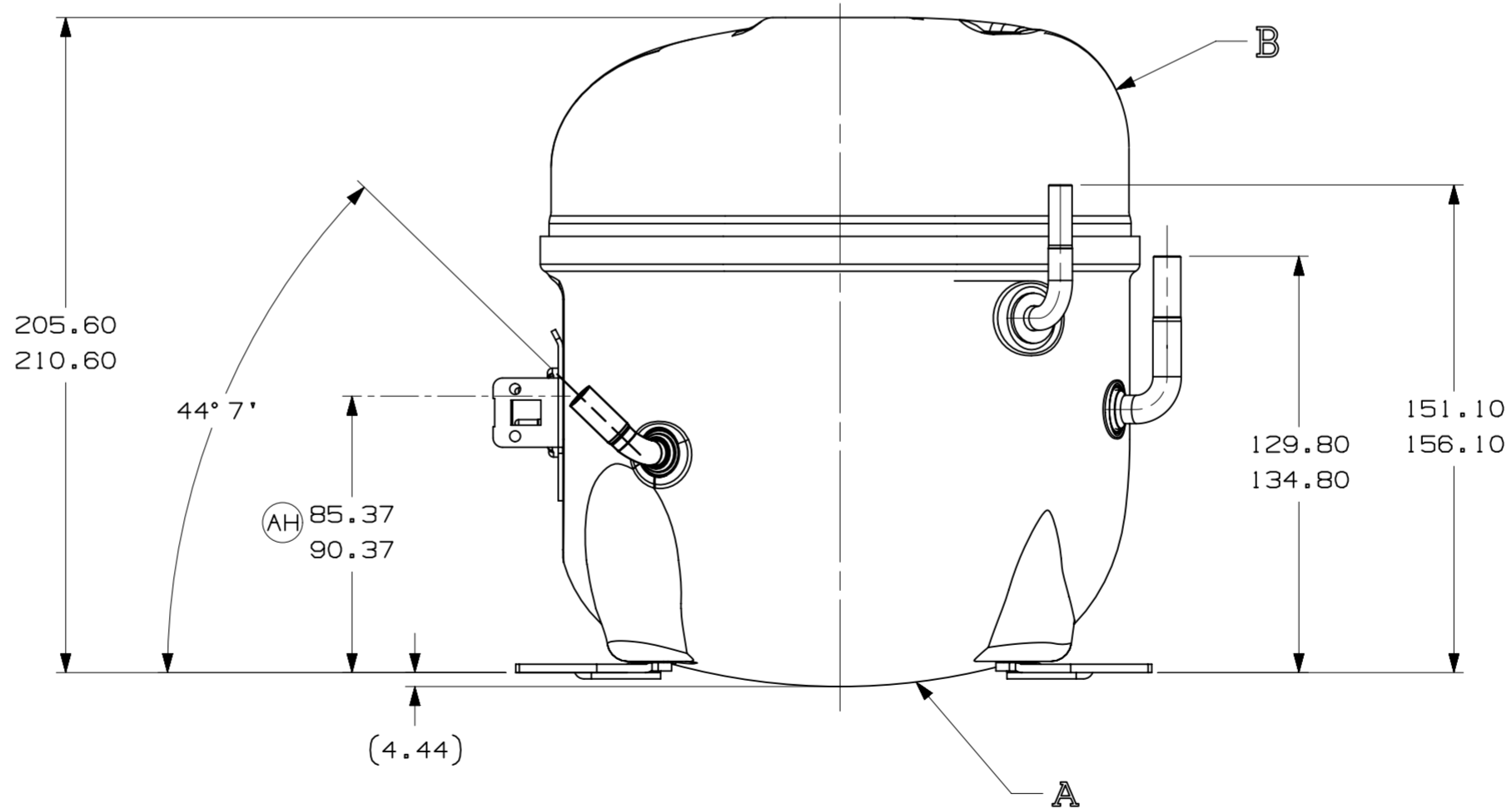
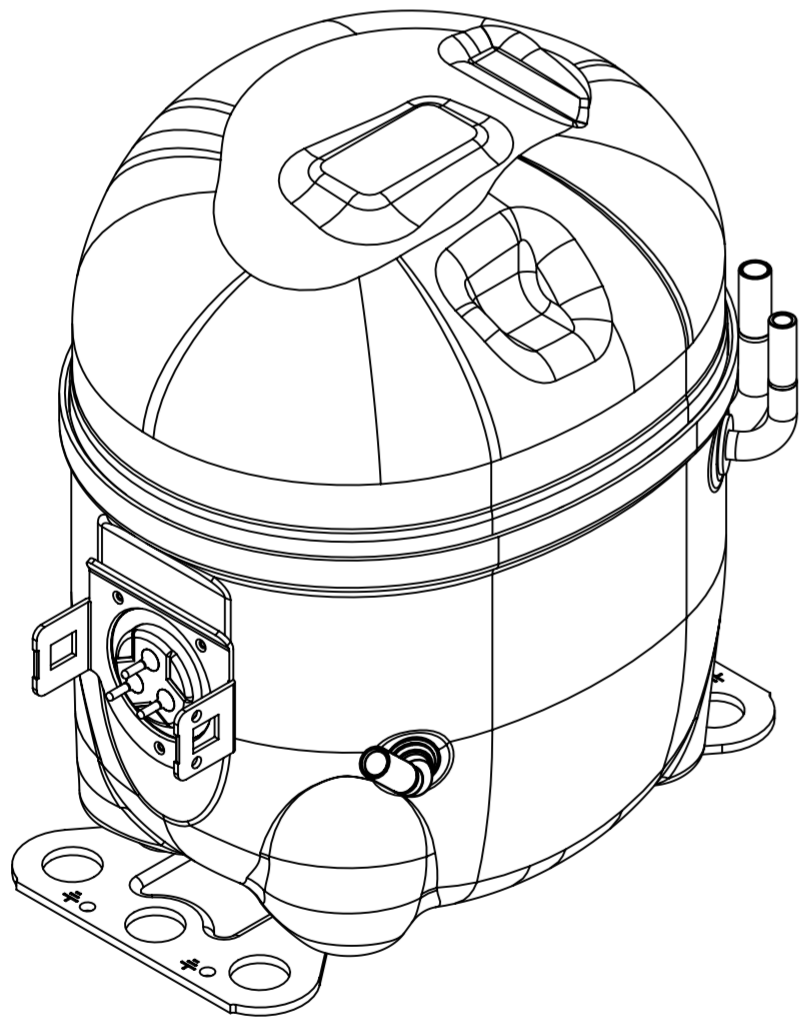
- AUXILIARY VIEW -
FASTENING DIMENSIONS



E- (COPPER) SUCTION TUBE
GAGE I.D. TO 6.45-6.55
× 15.00-17.00 DEEP.

D- (COPPER) DISCHARGE TUBE
GAGE I.D. TO 4.92-5.02
× 15.00-17.00 DEEP.

C- (COPPER) PROCESS TUBE
GAGE I.D. TO 6.45-6.55
× 15.00-17.00 DEEP.



- NOTES:
- 1- IF SPECIFIED IN BM. ASSEMBLE PARTS AS SHOWN.
 - 2- SEE SPEC. "A-B" & A-C FOR PROCESS.
 - 3- THERE CAN BE NO CREASES IN THE TUBES. (CREASES ARE SIGNS OR MARKS THAT ARE IN SOMETHING THAT BENDS)
 - 4- AFTER THE FOLDS IN THE TUBES, CANNOT BE ACCELERATED TO AREA EXCEEDING 30%.
 - 5- TUBES OF SUCTION, DISCHARGE AND PROCESS MUST BE FREE OF INK ON 15.8mm (5/8") FROM TOP OF THE TUBES AS SPEC. T.P.Co. A-B4.
 - 6- FOR SUPPLIER ENVIRONMENTAL REGULATORY REQUIREMENTS, SEE TECUMSEH GLOBAL SPEC. 08.

- (AB)
- (AC)
- (AG)

DATE	DATE	DATE	DATE	DATE	DATE	DATE	DATE	DATE	DATE		
02/03/12	08/06/12	02/03/12	02/03/12	02/03/12	02/03/12	02/03/12	02/03/12	02/03/12	02/03/12		
PS. A.M.	PS. A.M.	PS. A.M.	PS. A.M.	PS. A.M.	PS. A.M.	PS. A.M.	PS. A.M.	PS. A.M.	PS. A.M.		
ERA 91.60-96.60	ERA 86.40-91.40	ERA 72.10-77.10	ERA 14963573	ALTERADA MEDIDA ERA: 84.75-85.25 F/6 E ACRESC. NOTA 6	RETIRADO DETALHE (AREA ISENTA DE PINTURA)	ALTERADO TUBO D ERA: 14963568	ALTERADA MEDIDA ERA: 182.75-83.25	ADICIONADO NOTA	REVISADA NOTAS 3 E 4	ACRESCENTADA NOTAS 3 E 4	LIBERACAO
B5	D4	E5	F8	A/2	AF	AE F/8	AD F/7	AC A/2	A/2	A/2	AA
EC102387	EC80775	EC70968	EC59887	EC48188	EC52840	EC44036	EC44228				
02-05-22	14-02-13	08-06-16	03-03-15	31-01-14	13-09-13	08/06/12	02/03/12				
GM. RB.	PS. RB.	AMP. WC.	PS. RB.	PS. RB.	AMP. WC.	PS. A.M.	PS. A.M.				

THIRD ANGLE PROJECTION

UNITS: mm

DRAWING SIZE: A2

0. A SYMBOLS AS PROCEDURE 2.01.031 TECUMSEH OF BRAZIL

NAME: SALES COMPRESSOR

PART NO.: DCAE138

SCALE: 1:2

PAGE: 1/1

DATE: 23/02/12

REF.

FAMILY: AE2

DO NOT SCALE THIS DRAWING. ALL FERROUS MATERIALS MUST NOT BE MAGNETIZED AS RECEIVED OR AT ASSEMBLY.

THIS DRAWING OR PRINT (1) IS THE PROPERTY OF TECUMSEH DO BRASIL LTDA. AND CONTAINS PROPRIETARY AND CONFIDENTIAL INFORMATION BELONGING TO TECUMSEH DO BRASIL. IT IS TO BE USED ONLY FOR THE SPECIFIC CONDITION THAT IT APPEARS IN. THE INFORMATION CONTAINED HEREON OR DISCLOSED OR MADE AVAILABLE TO OTHERS WITHOUT THE EXPRESS AND SPECIFIC WRITTEN CONSENT OF TECUMSEH DO BRASIL AND TECUMSEH OF BRAZIL IS STRICTLY CONFIDENTIAL AND NOT TO BE REPRODUCED, COPIED OR IN ANY MANNER DISCLOSED TO ANY OTHER PARTY WITHOUT THE EXPRESS AND SPECIFIC WRITTEN CONSENT AND (1) SHALL BE RETURNED BY THE RECIPIENT LATTER'S REQUEST PROMPTLY AFTER SUCH REQUEST IS MADE.