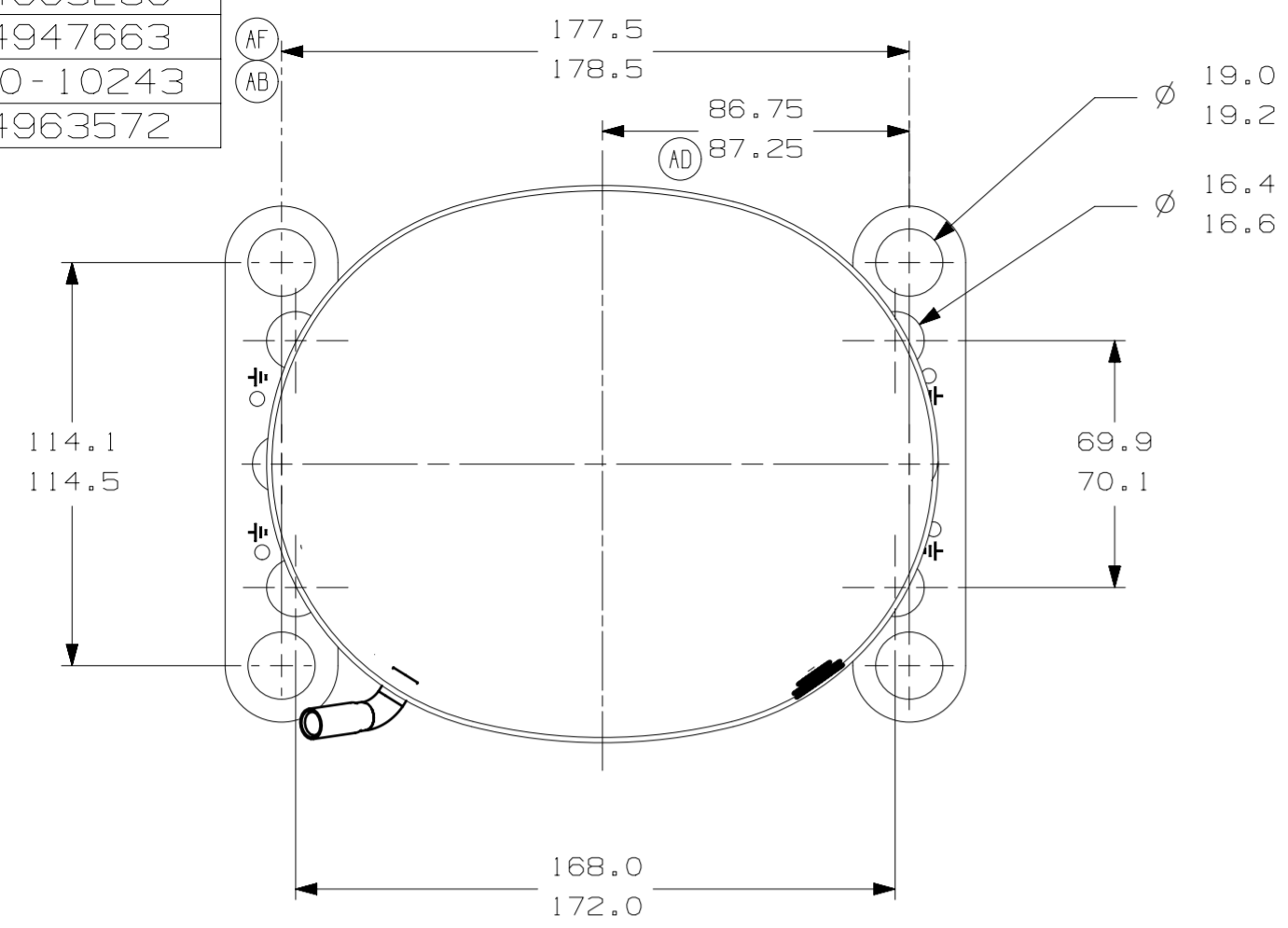
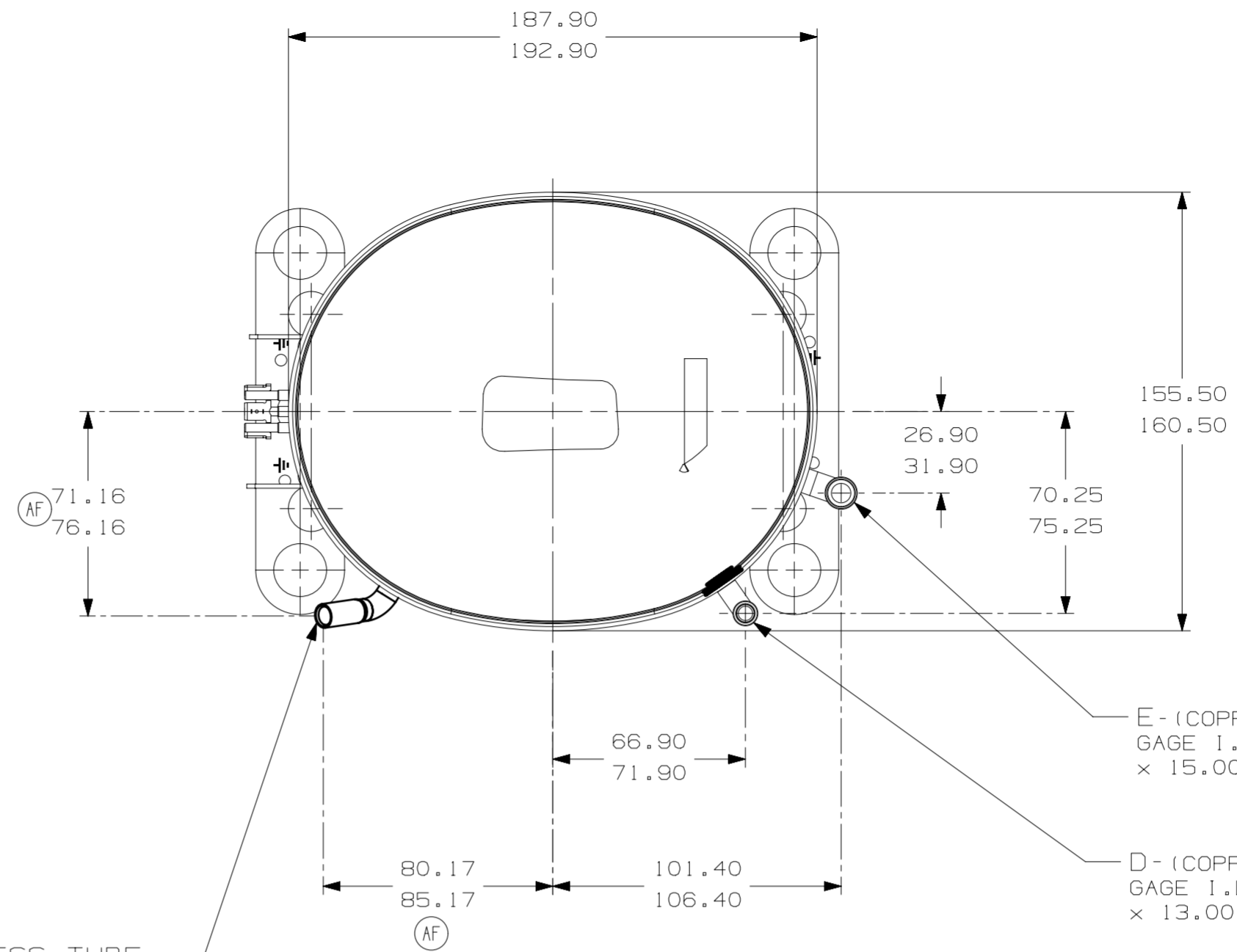


ITEM	PART NUMBER
A	320-10420
B	14963286
C	14947663
D	580-10243
E	14963572



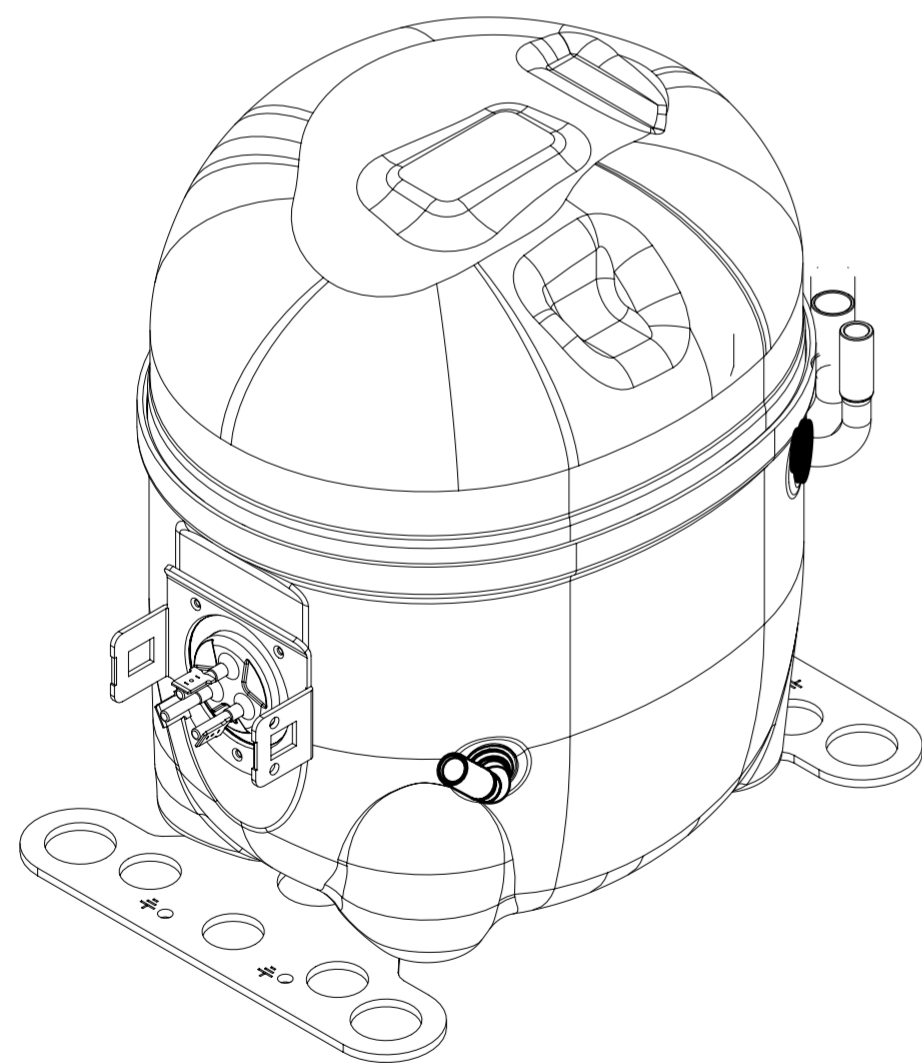
- AUXILIARY VIEW -
FASTENING DIMENSIONS



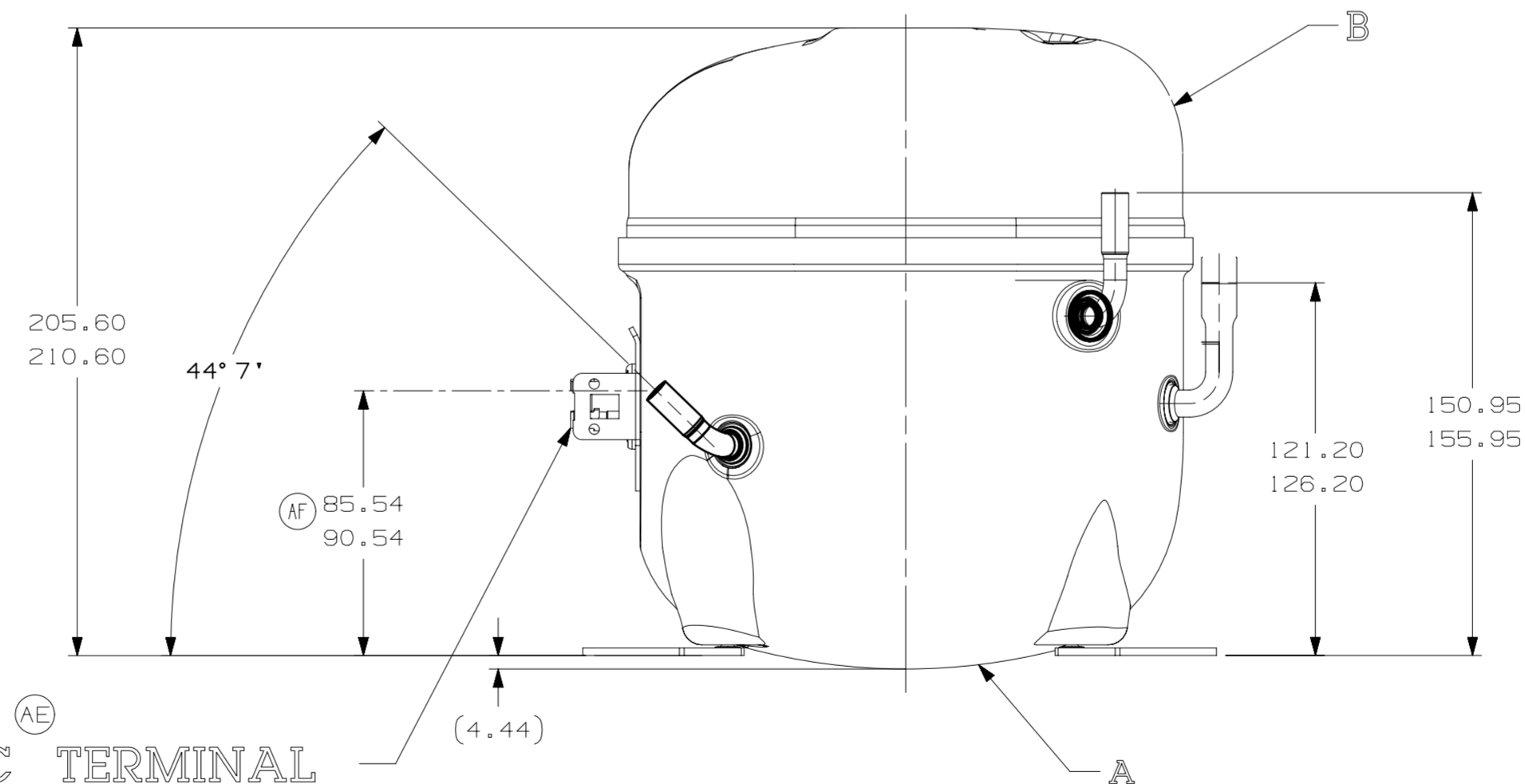
C - (COPPER) PROCESS TUBE
GAGE I.D. TO 6.45-6.55
× 15.00-17.00 DEEP.

E - (COPPER) SUCTION TUBE
GAGE I.D. TO 9.6-9.7
× 15.00-17.00 DEEP.

D - (COPPER) DISCHARGE TUBE
GAGE I.D. TO 6.45-6.55
× 13.00-15.00 DEEP.



HERMETIC TERMINAL
14945645 WITH
SPADE TERMINALS



- NOTES:
- 1- IF SPECIFIED IN BM. ASSEMBLE PARTS AS SHOWN.
 - 2- SEE SPEC. "A-B" & A-C FOR PROCESS.
 - 3- THERE CAN BE NO CREASES IN THE TUBES. (CREASES ARE SIGNS OR MARKS THAT ARE IN SOMETHING THAT BENDS)
 - 4- AFTER THE FOLDS IN THE TUBES, CANNOT BE ACCELERATED TO AREA EXCEEDING 30%.
 - 5- TUBES OF SUCTION, DISCHARGE AND PROCESS MUST BE FREE OF INK ON 15.8mm (5/8") FROM TOP OF THE TUBES AS SPEC. T.P.Co. A-B4.
 - 6- FOR SUPPLIER ENVIRONMENTAL REGULATORY REQUIREMENTS, SEE TECUMSEH GLOBAL SPEC. 08.

LT	LC	CHANGE	DATE
EC102387	03-05-23	GM. R6.	
EC98671	13-08-20	CADEM C5	
EC80775	14-02-18	PS. R6.	
EC70388	06-06-15	AMP. WC.	
EC59687	03-03-15	PS. R6.	
EC59785	05-03-14	PS. R6.	

THIS DRAWING OR PRINT (1) IS THE PROPERTY OF TECUMSEH DO BRASIL LTDA. AND CONTAINS PROPRIETARY AND CONFIDENTIAL INFORMATION BELONGING TO TECUMSEH DO BRASIL. IT IS TO BE USED ONLY FOR THE SPECIFIC CONDITION THAT IT RELATES TO. IT IS NOT TO BE REPRODUCED, COPIED, EITHER IN WHOLE OR IN PART, OR TRANSMITTED IN ANY FORM OR BY ANY MEANS, WITHOUT THE EXPRESS AND SPECIFIC WRITTEN CONSENT AND L1V1 SHALL BE RETURNED BY THE RECIPIENT LATTER'S REQUEST PROMPTLY AFTER SUCH REQUEST IS MADE.

DO NOT SCALE THIS DRAWING. ALL FERROUS MATERIALS MUST NOT BE MAGNETIZED AS RECEIVED OR AT COMPRESSOR ASSEMBLY

THIRD ANGLE PROJECTION

UNITS: mm

DRAWING SIZE: A2

0. A SYMBOLS AS PROCEDURE 2.01.031 TECUMSEH OF BRAZIL

★ = CATEGORY I
▲ = CATEGORY II
■ = CATEGORY III
● = CATEGORY IV

NAME: SALES COMPRESSOR

PART NO.: DCAE689

SCALE: 1:2

PAGE: 1/1

DATE: 14-07-14

REF.

FAMILY: AE2