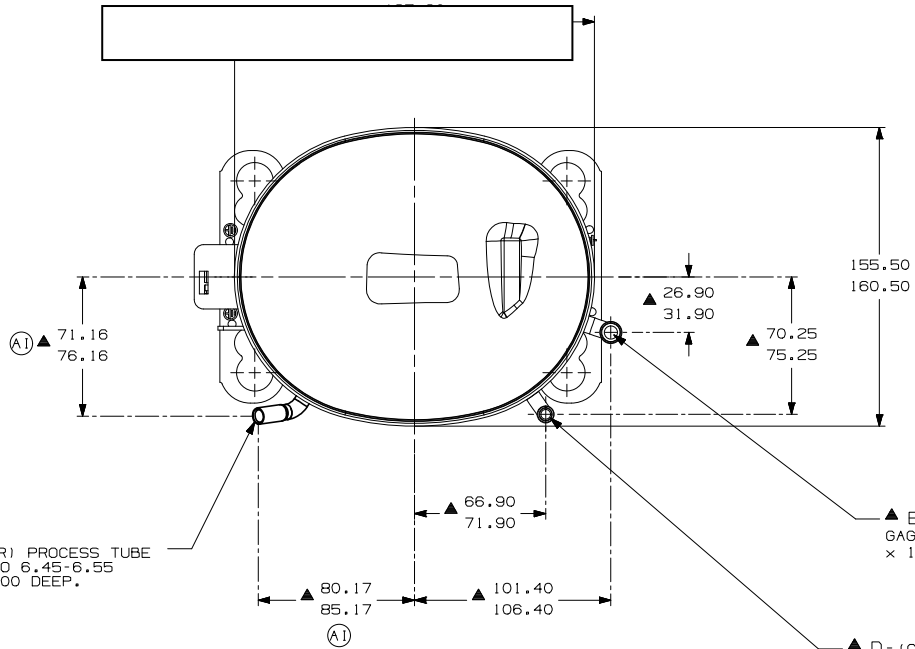


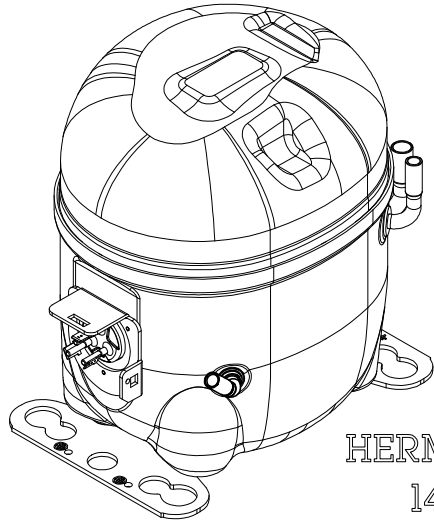
- AUXILIARY VIEW -  
FASTENING DIMENSIONS



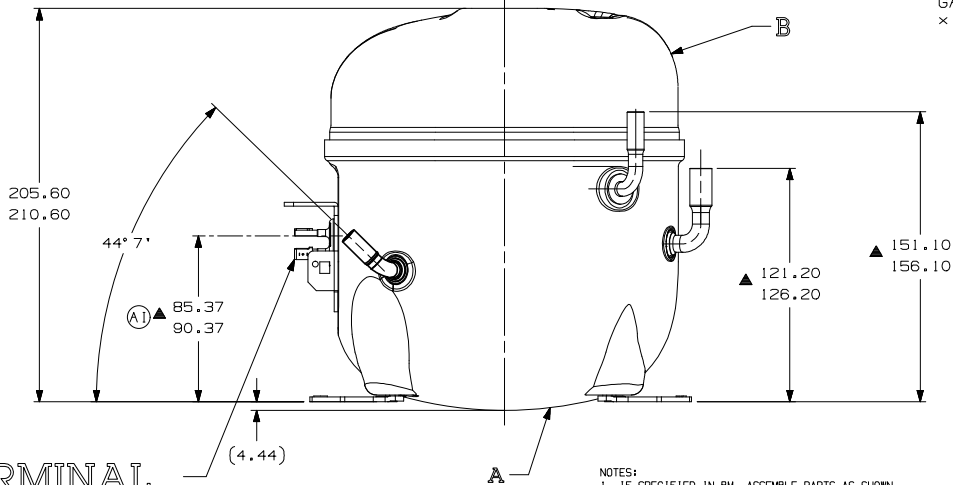
▲ C - (COPPER) PROCESS TUBE  
GAGE I.D. TO 6.45-6.55  
× 15.00-17.00 DEEP.

▲ E - (COPPER) SUCTION TUBE  
GAGE I.D. TO 9.60-9.70  
× 15.00-17.00 DEEP.

▲ D - (COPPER) DISCHARGE TUBE  
GAGE I.D. TO 6.45-6.55  
× 15.00-17.00 DEEP.



HERMETIC TERMINAL  
14945645 WITH  
SPADE TERMINALS



NOTES:

- 1- IF SPECIFIED IN BW, ASSEMBLE PARTS AS SHOWN.
- 2- SEE SPEC. "A-B" & A-C FOR PROCESS.
- 3- FOR SUPPLIER ENVIRONMENTAL REGULATORY REQUIREMENTS, SEE TECUMSEH GLOBAL SPEC. 08.
- 4- THERE CAN BE NO CREASES IN THE TUBES. (CREASES ARE SIGNS OR MARKS THAT ARE IN SOMETHING THAT BENDS)
- 5- AFTER THE FOLDS IN THE TUBES, CANNOT BE ACCELERATED TO AREA EXCEEDING 30%.
- 6- TUBES OF SUCTION, DISCHARGE AND PROCESS MUST BE FREE OF INK ON 15.8mm (5/8") FROM TOP OF THE TUBES AS SPEC. T.P.Co. A-B4.

ITEM	PART NUMBER
A	320-10181
B	14963286
C	14947663
D	580-10244
E	14963572

B5	ERA 91.60-96.60	EC102967 03-08-20 GM, RG.	ED96671 13-08-20 CADEN CS	EC980775 09-08-18 PS, RG.	EC703988 09-08-18 AMP, WC.	EC528687 31-01-14 PS, RG.	EC48188 31-01-14 RG.	EC52840 ANP, NE 13/09/13	EC44025 28/08/14 A, E	EC43117 30/12/11 A, M	DATE
A1	ERA 86.60-91.60										
B1	ERA 72.10-77.10										
AH	ATUALIZAÇÃO NOTA DE AVISO										
A7	ALTERADA MEDIDA ERA1: 82.30-82.80										
AF	DETALHE DE RECURSO DE PINTURA										
AE	ALTERADO TUBO D ERA1: 14963519										
AD	ALTERADA MEDIDA ERA180.30-80.80										
AC	ADICIONADO NOTA										
A4	REVISADA NOTAS 4 E 5										
A3	ACRESCENTADA NOTAS 4 E 5										
AA	LIBERACAO										
AT	LC	CHANGE	DATE								

THIS DRAWING OR PRINT (1) IS THE PROPERTY OF TECUMSEH DO BRASIL LTDA. AND CONTAINS PROPRIETARY AND CONFIDENTIAL INFORMATION. IT IS TO BE USED ONLY FOR THE PURPOSES SPECIFIED HEREIN. IT IS NOT TO BE REPRODUCED, COPIED, EITHER WHOLLY OR IN PART, OR DISCLOSED TO ANY OTHER PARTY WITHOUT THE EXPRESS WRITTEN CONSENT OF TECUMSEH DO BRASIL. ALL INFORMATION IS SUBJECT TO CHANGE WITHOUT NOTICE. TECUMSEH DO BRASIL AND NOT OTHERWISE. (1) SHALL NOT BE COPIED OR TO ANY EXTENT WITH THE SPECIFIC WRITTEN CONSENT AND IT SHALL BE RETURNED BY THE RESPONDENT LATTER'S REQUEST PROMPTLY AFTER SUCH REQUEST IS MADE. DO NOT SCALE THIS DRAWING. ALL FEEDBACK SHOULD BE SENT TO TECUMSEH DO BRASIL AS RECEIVED OR AT COMPRESSOR ASSEMBLY.

THIRD ANGLE PROJECTION  
UNITS: mm  
DRAWING SIZE: A2

ITEM: SALES COMPRESSOR  
PART NO.: DCAE677

DWN.	CK.	APR.	SCALE	PAGE
A. MARCOS	A. MARTINEZ	W. CORREA	1:2	1/1
DATE	REF.		FAMILY	
23/12/11			AE2	

