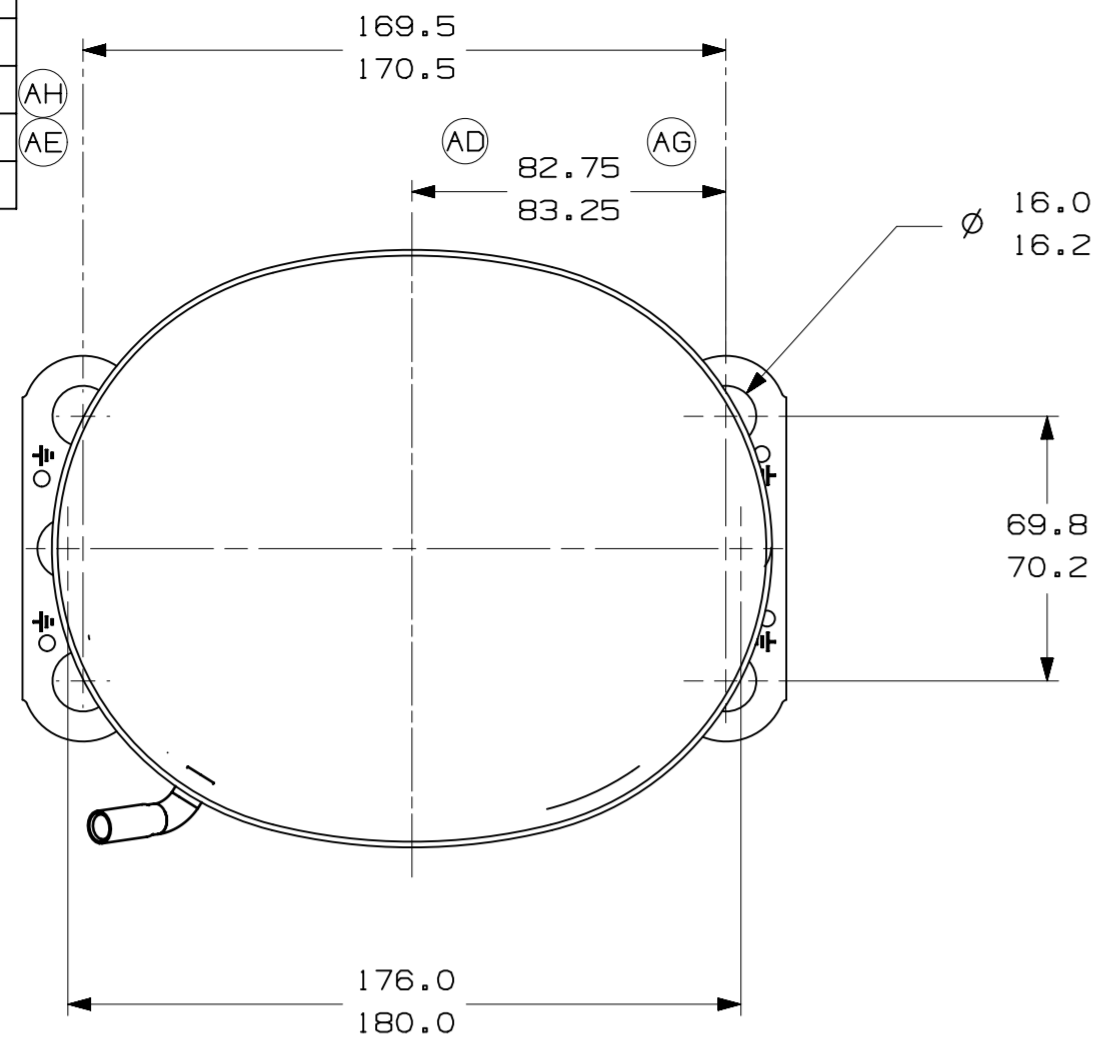
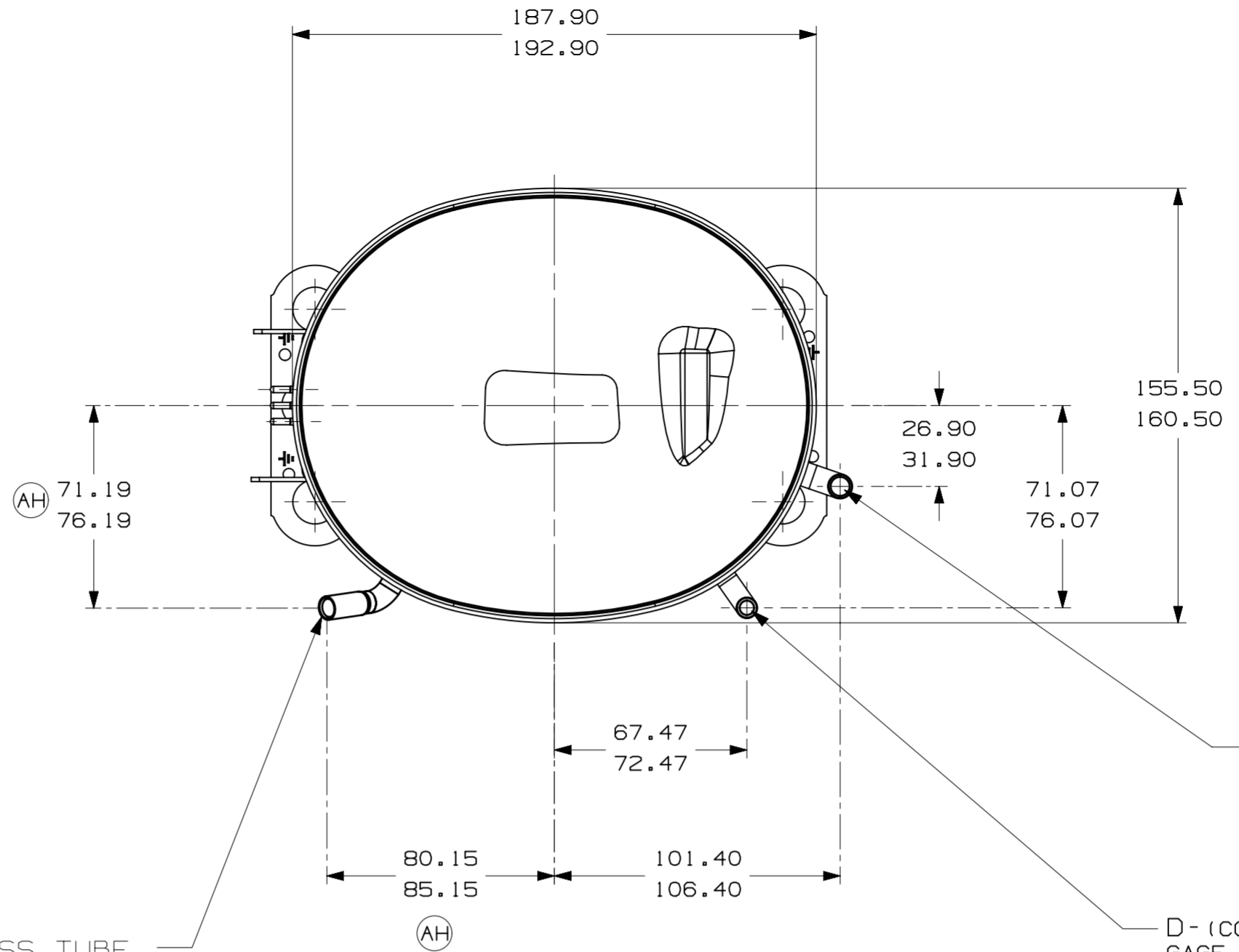


ITEM	PART NUMBER
A	320-10212
B	14963286
C	14947663
D	580-10245
E	14963570



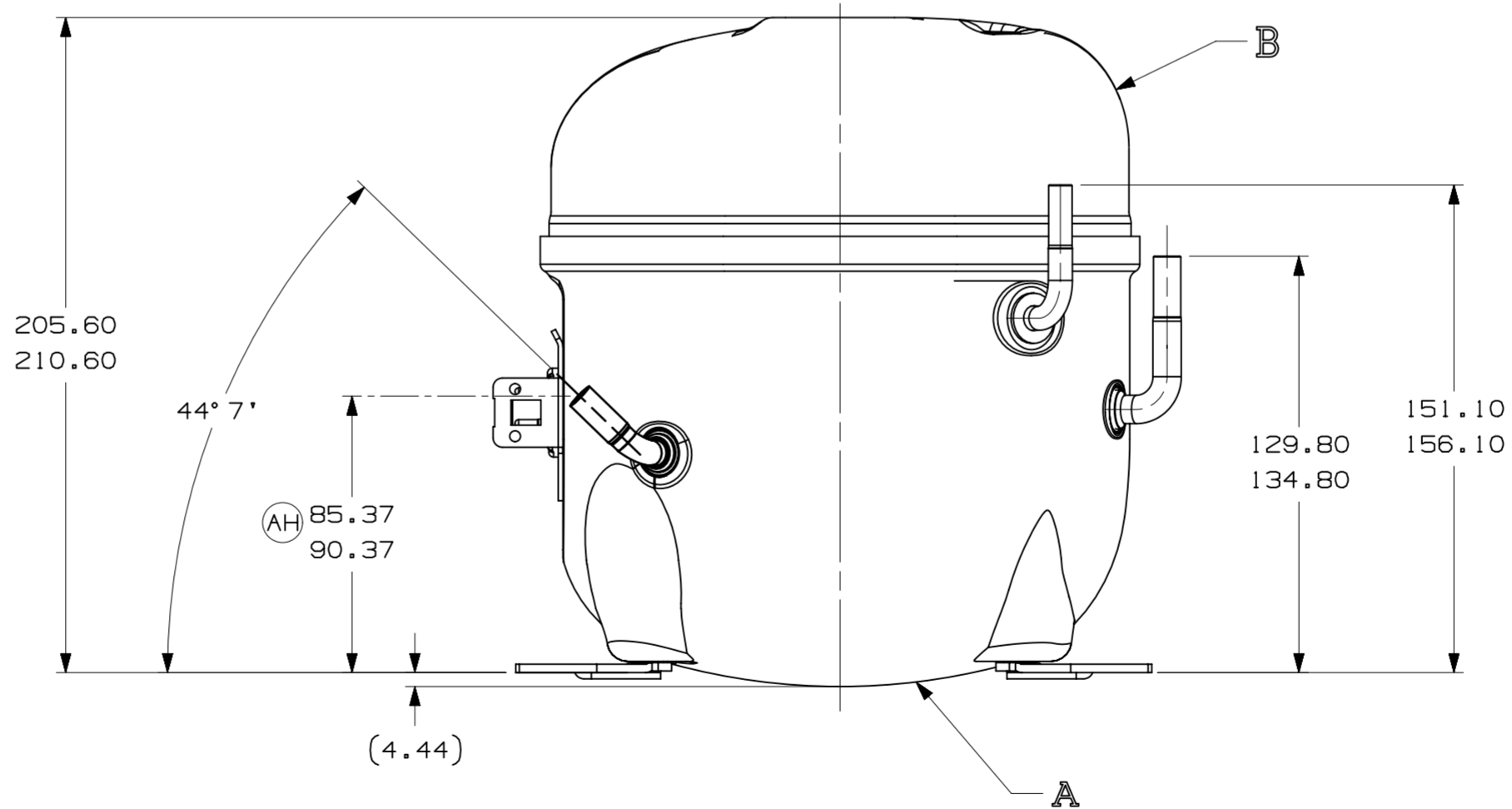
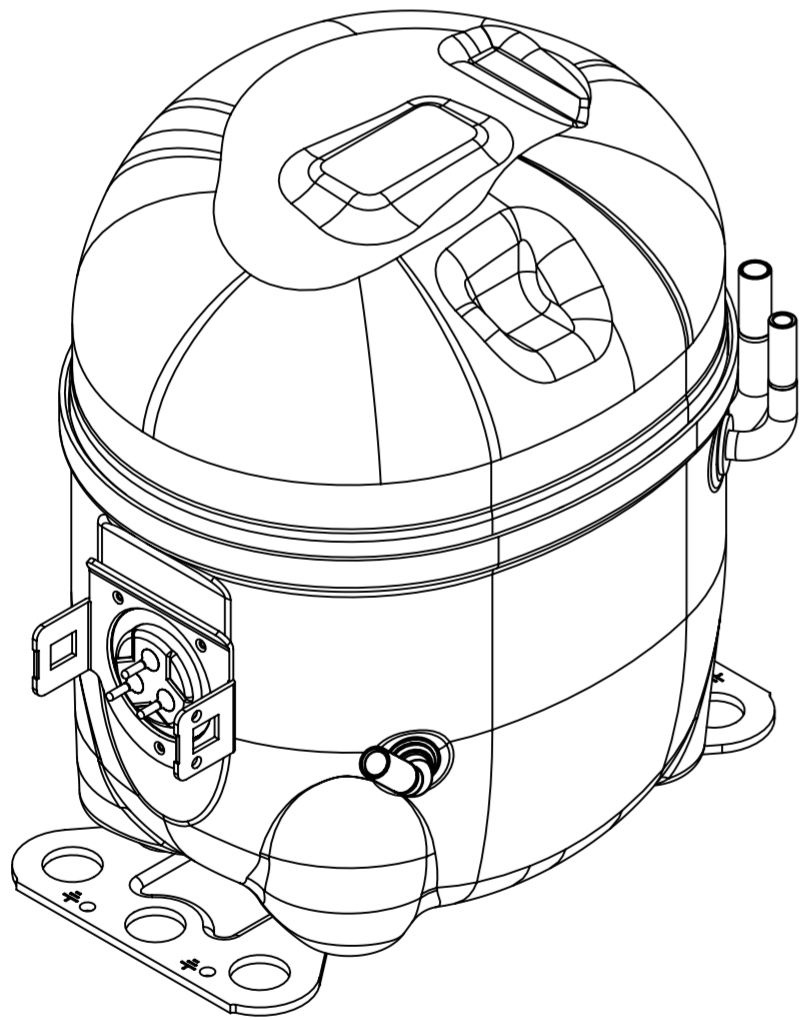
- AUXILIARY VIEW -  
FASTENING DIMENSIONS



E- (COPPER) SUCTION TUBE  
GAGE I.D. TO 6.45-6.55  
× 15.00-17.00 DEEP.

D- (COPPER) DISCHARGE TUBE  
GAGE I.D. TO 4.92-5.02  
× 15.00-17.00 DEEP.

C- (COPPER) PROCESS TUBE  
GAGE I.D. TO 6.45-6.55  
× 15.00-17.00 DEEP.



- NOTES:
- 1- IF SPECIFIED IN BM. ASSEMBLE PARTS AS SHOWN.
  - 2- SEE SPEC. "A-B" & A-C FOR PROCESS.
  - 3- THERE CAN BE NO CREASES IN THE TUBES. (CREASES ARE SIGNS OR MARKS THAT ARE IN SOMETHING THAT BENDS)
  - 4- AFTER THE FOLDS IN THE TUBES, CANNOT BE ACCELERATED TO AREA EXCEEDING 30%.
  - 5- TUBES OF SUCTION, DISCHARGE AND PROCESS MUST BE FREE OF INK ON 15.8mm (5/8") FROM TOP OF THE TUBES AS SPEC. T.P.Co. A-B4.
  - 6- FOR SUPPLIER ENVIRONMENTAL REGULATORY REQUIREMENTS, SEE TECUMSEH GLOBAL SPEC. 08.

- (AB)
- (AC)
- (AG)

LT	LC	CHANGE	DATE
		LIBERACAO	02/03/12
		ACRESCENTADA NOTAS 3 E 4	08/06/12
		REVISADA NOTAS 3 E 4	13-09-13
		ADICIONADO NOTA	
		ALTERADA MEDIDA ERA: 182.75-83.25	
		ALTERADO TUBO D	
		RETIRADO DETALHE (AREA ISENTA DE PINTURA)	
		ALTERADA MEDIDA ERA: 84.75-85.25	
		ALTERADA MEDIDA ERA: 14963573	
		ALTERADA MEDIDA ERA: 72.10-77.10	
		ALTERADA MEDIDA ERA: 86.40-91.40	
		ALTERADA MEDIDA ERA: 91.60-96.60	

THIRD ANGLE PROJECTION

UNITS: mm

DRAWING SIZE: A2

0. A SYMBOLS AS PROCEDURE 2.01.031 TECUMSEH OF BRAZIL

NAME: SALES COMPRESSOR

PART NO.: DCAE138

SCALE: 1:2

PAGE: 1/1

DATE: 23/02/12

REF.

FAMILY: AE2

