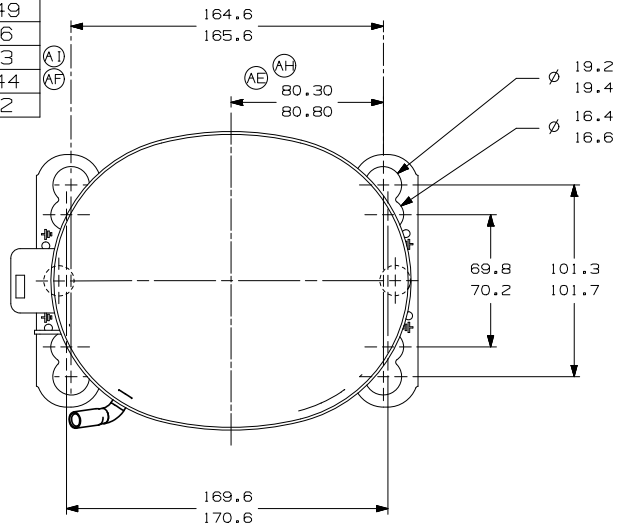
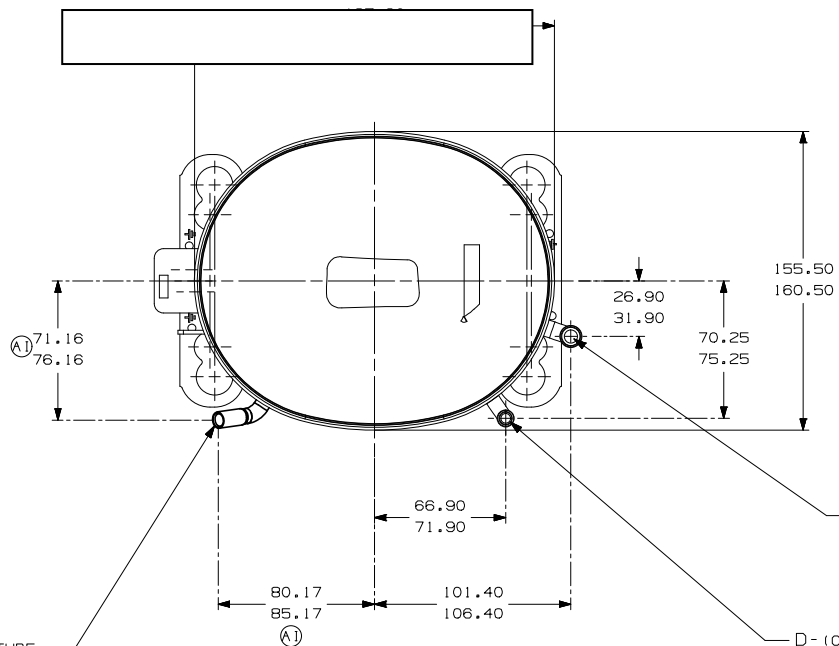


ITEM	PART NUMBER
A	320-10149
B	14963286
C	14947663
D	580-10244
E	14963572



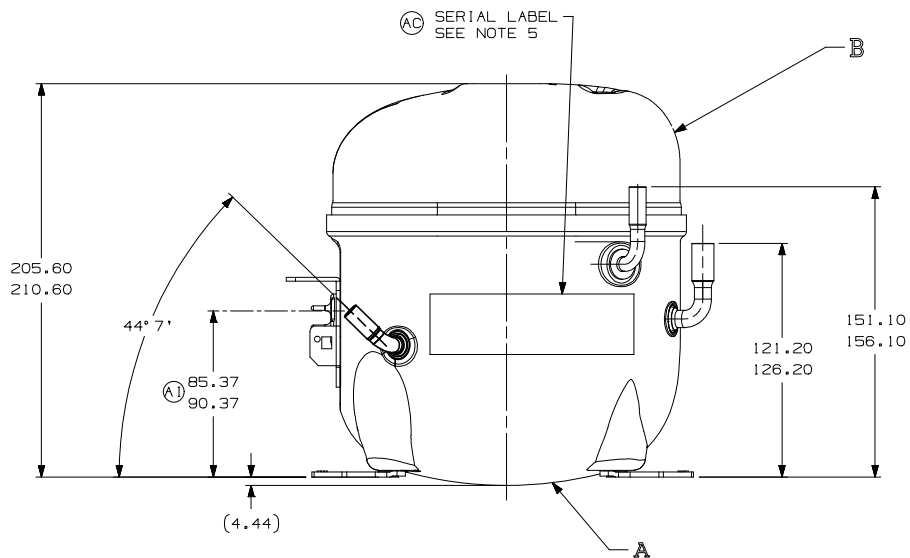
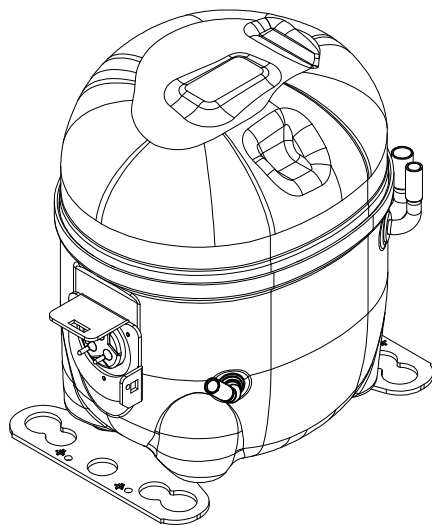
- AUXILIARY VIEW -
FASTENING DIMENSIONS



C - (COPPER) PROCESS TUBE
GAGE I.D. TO 6.45-6.55
× 15.00-17.00 DEEP.

E - (COPPER) SUCTION TUBE
GAGE I.D. TO 9.60-9.70
× 15.00-17.00 DEEP.

D - (COPPER) DISCHARGE TUBE
GAGE I.D. TO 6.45-6.55
× 15.00-17.00 DEEP.



- NOTES:
- 1- IF SPECIFIED IN B.M. ASSEMBLE PARTS AS SHOWN.
 - 2- SEE SPEC. "A-B" & A-C FOR PROCESS.
 - 3- THERE CAN BE NO CREASES IN THE TUBES. (CREASES ARE SIGNS OR MARKS THAT ARE IN SOMETHING THAT BENDS)
 - 4- AFTER THE FOLDS IN THE TUBES, CANNOT BE ACCELERATED TO AREA EXCEEDING 30%.
 - 5- THE SERIAL LABEL SHOULD BE ON THE SIDE OPPOSITE THAT SHOWN ABOVE, ONLY FOR MODEL AE1048BR.
 - 6- TUBES OF SUCTION, DISCHARGE AND PROCESS MUST BE FREE OF INK ON 15.8mm (5/8") FROM TOP OF THE TUBES AS SPEC. T.P.Co. A-B4.
 - 7- FOR SUPPLIER ENVIRONMENTAL REGULATORY REQUIREMENTS, SEE TECUMSEH GLOBAL SPEC. 08.

B5	ERA 91.60-96.60	80	02387	EC80775	EC70308	EC59667	EC46198	EC52840	EC48813	EC44025	EC241051	DATE
D4	ERA 66.40-91.40	81	02387	EC80775	EC70308	EC59667	EC46198	EC52840	EC48813	EC44025	EC241051	CHANGE
E5	ERA 72.10-77.10	82	02387	EC80775	EC70308	EC59667	EC46198	EC52840	EC48813	EC44025	EC241051	DATE
F8	ERA 14963573	83	02387	EC80775	EC70308	EC59667	EC46198	EC52840	EC48813	EC44025	EC241051	CHANGE
A/2	ALTERA MEDIDA	84	02387	EC80775	EC70308	EC59667	EC46198	EC52840	EC48813	EC44025	EC241051	DATE
F/7	ERA 1-30-82-80	85	02387	EC80775	EC70308	EC59667	EC46198	EC52840	EC48813	EC44025	EC241051	CHANGE
E	ACRESC. NOTA 7	86	02387	EC80775	EC70308	EC59667	EC46198	EC52840	EC48813	EC44025	EC241051	DATE
..	RETRABO DETALHE	87	02387	EC80775	EC70308	EC59667	EC46198	EC52840	EC48813	EC44025	EC241051	CHANGE
F/B	ALTERADO TUBO D	88	02387	EC80775	EC70308	EC59667	EC46198	EC52840	EC48813	EC44025	EC241051	DATE
F/7	ERA 180.30-80.80	89	02387	EC80775	EC70308	EC59667	EC46198	EC52840	EC48813	EC44025	EC241051	CHANGE
AE	ALTERADA MEDIDA	90	02387	EC80775	EC70308	EC59667	EC46198	EC52840	EC48813	EC44025	EC241051	DATE
AD	ADICIONADO NOTA	91	02387	EC80775	EC70308	EC59667	EC46198	EC52840	EC48813	EC44025	EC241051	CHANGE
D/4	ACRESCENTADA	92	02387	EC80775	EC70308	EC59667	EC46198	EC52840	EC48813	EC44025	EC241051	DATE
A/2	ETIQUETA SERIAL	93	02387	EC80775	EC70308	EC59667	EC46198	EC52840	EC48813	EC44025	EC241051	CHANGE
A/2	E NOTA 5	94	02387	EC80775	EC70308	EC59667	EC46198	EC52840	EC48813	EC44025	EC241051	DATE
A/2	RECUZADA	95	02387	EC80775	EC70308	EC59667	EC46198	EC52840	EC48813	EC44025	EC241051	CHANGE
A/2	NOTAS 3 E 4	96	02387	EC80775	EC70308	EC59667	EC46198	EC52840	EC48813	EC44025	EC241051	DATE
A/2	ACRESCENTADA	97	02387	EC80775	EC70308	EC59667	EC46198	EC52840	EC48813	EC44025	EC241051	CHANGE
MA	LIBERACAO	98	02387	EC80775	EC70308	EC59667	EC46198	EC52840	EC48813	EC44025	EC241051	DATE
LT	CHANGE	99	02387	EC80775	EC70308	EC59667	EC46198	EC52840	EC48813	EC44025	EC241051	CHANGE

THIRD ANGLE PROJECTION

UNITS: mm

DRAWING SIZE: A2

SYMBOLS AS PROCEDURE 2.01.031 TECUMSEH OF BRAZIL

★ = CATEGORY I
 ▲ = CATEGORY II
 ■ = CATEGORY III
 ● = CATEGORY IV



NAME			PARTY NO.	
SALES COMPRESSOR			DCAE214	
DWN.	CK.	APR.	SCALE	PAGE
J. BARBANO	A. MARTINEZ	W. CORREA	1:2	1/1
DATE	REF.	FAMILY	AE2	
29/08/11				