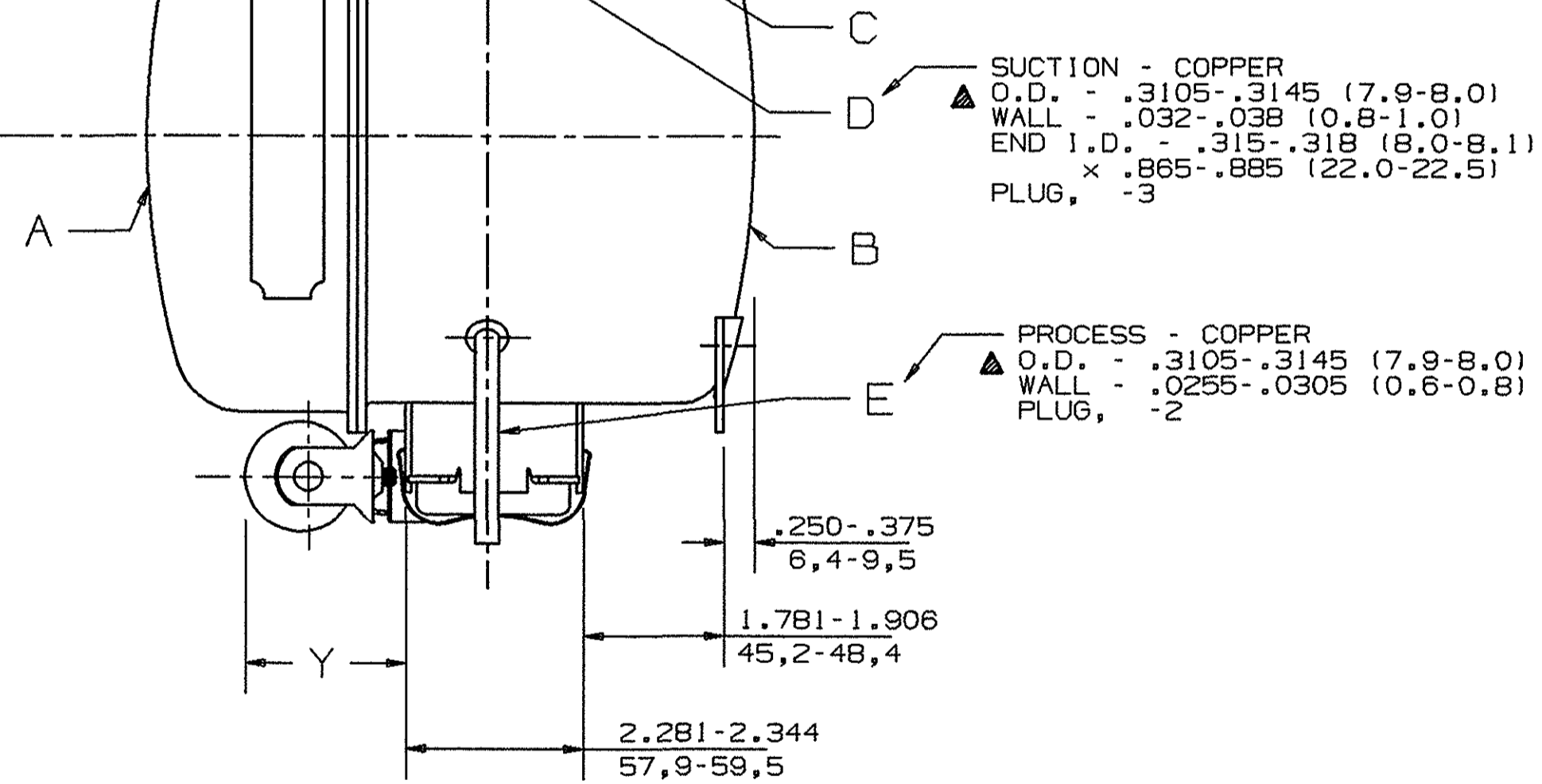
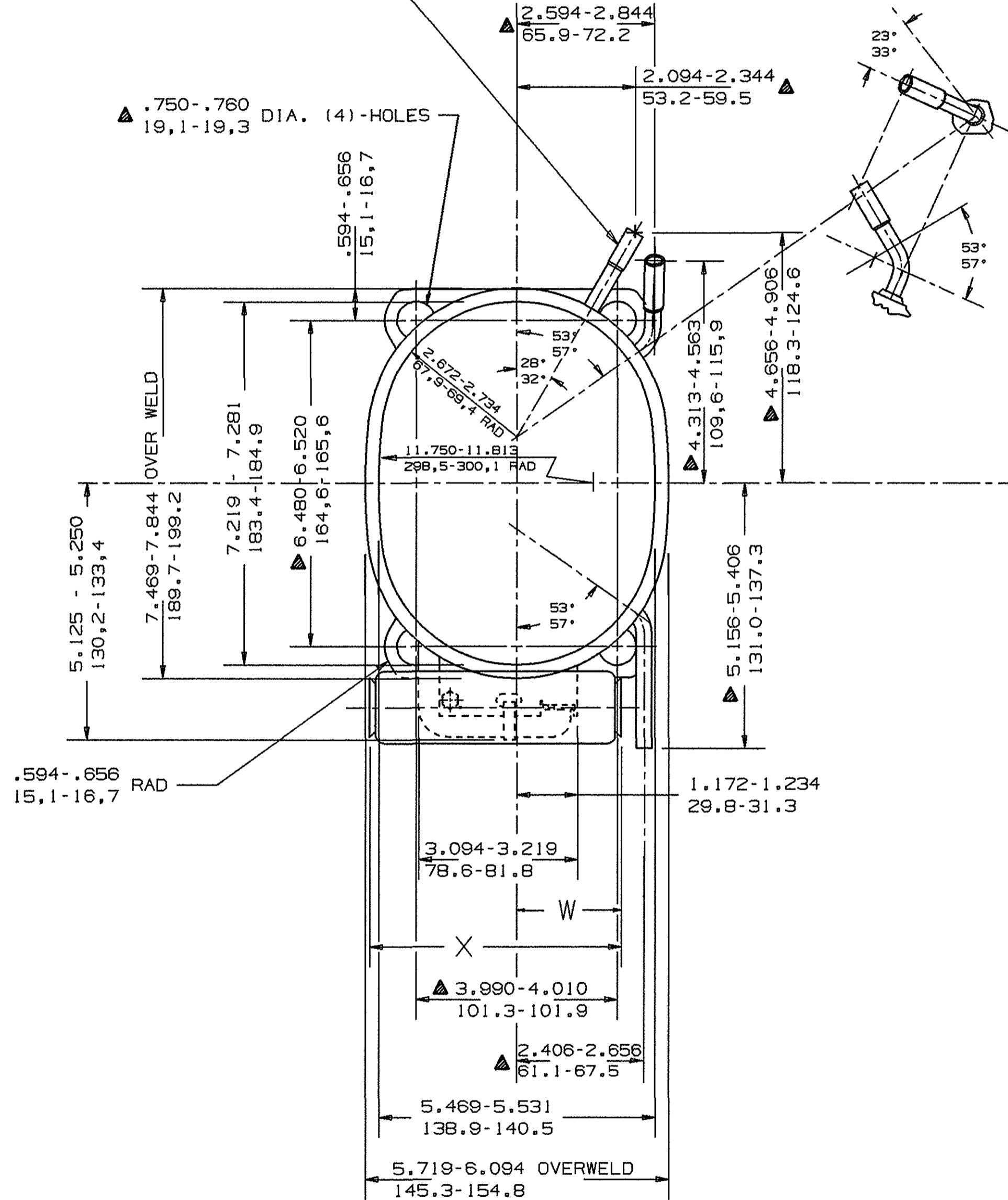


	DIM.W	DIM.X	DIM.Y
WITH 3.875 (98.4) LONG CAPACITOR	1.453-1.703 36.9-43.3	4.078-4.141 103.6-105.2	
WITH 1.438 (36.5) DIA. CAPACITOR			1.969-2.031 50.0-51.6
WITH 4.875 (123.8) LONG CAPACITOR	1.953-2.203 49.6-56.0	5.078-5.141 129.0-130.6	
WITH 1.813 (46.1) DIA. CAPACITOR			2.344-2.406 59.5-61.1

▲ DISCHARGE - STEEL
O.D. - .247-.253 (6.3-6.4)
WALL - .025-.031 (0.6-0.8)
END I.D. - .253-.256 (6.4-6.5)
X .865-.885 (22.0-22.5)
PLUG, -2



NOTE:
1. IF SPECIFIED ON BILL OF MATERIAL ASSEMBLE THESE PARTS AS SHOWN.
2. SEE SPEC. "A-B" & "A-C" FOR PROCESSING.

DIMENSIONS = INCHES OR INCHES (MILLIMETERS)

Q.A. SYMBOLS

★	= CATEGORY I
▲	= CATEGORY III
■	= CATEGORY IIII
□	= CATEGORY IV

A	32095
B	HA-531
C	34358-1
D	34360
E	34336

Q.A. SYMBOLS ADDED #221145	DATE 1/17/90	REVISION HB 2-24-86	DATE 2-24-86	DRAWING OR PART NUMBER 343	DIMS. CODE 343	NAME SALES COMPRESSOR
REDRAWN NO CHANGE #212377	CHANGE	DATE	DATE	DATE	DATE	SCALE 1"=2"
MATERIAL NOTED						THIS PRINT SUPERSEDES ALL PRINTS PRIOR TO
INTERNAL USE ONLY @QUIDISK1:BRDERRICK:AE-DCAE-602.REVM.PRT						PART NO. DCAE-602