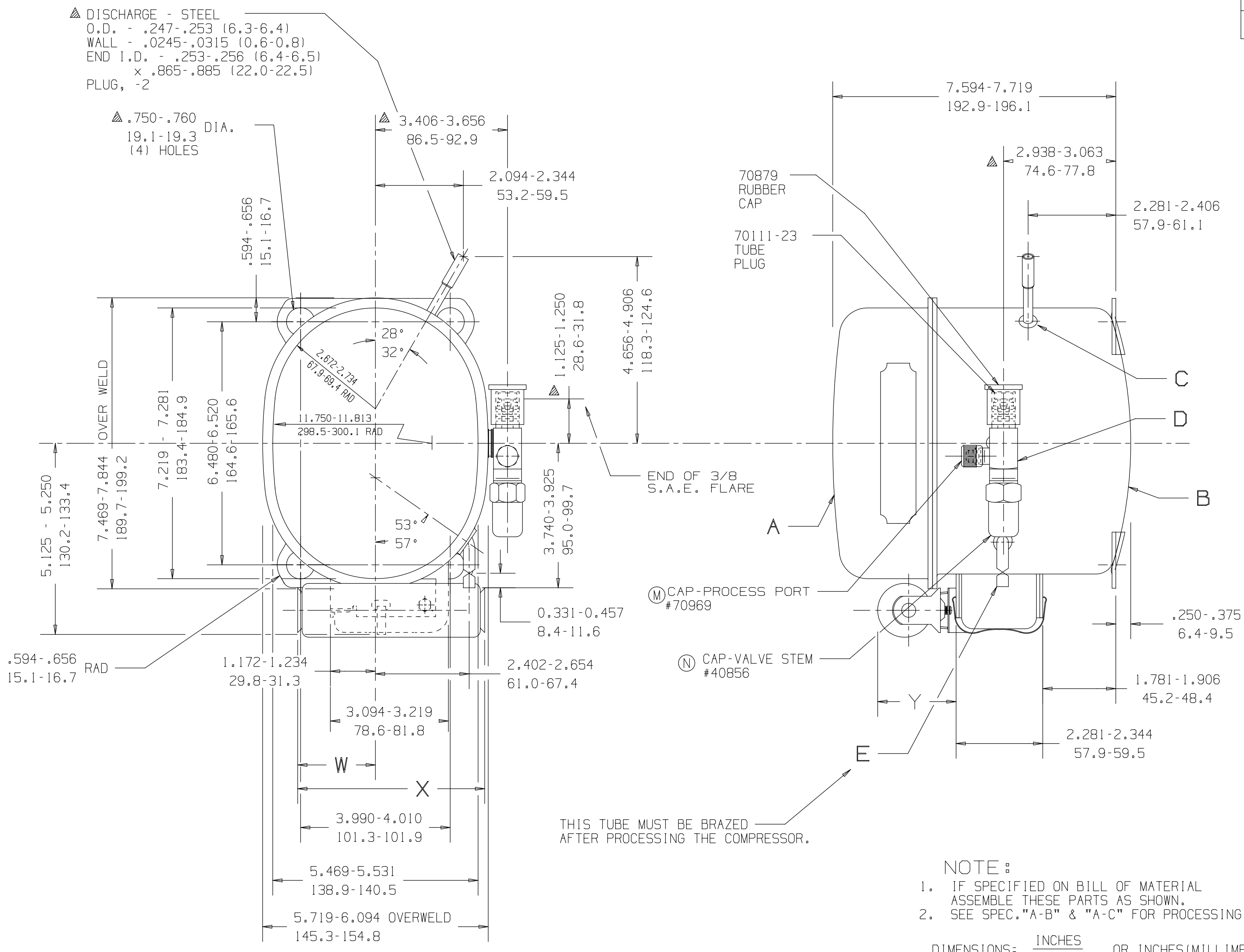


PART NO.
DCAE663

	DIM. W	DIM. X	DIM. Y
WITH 3.875 (98.4) LONG CAPACITOR	1.453-1.703 36.9-43.3	4.078-4.141 103.6-105.2	—
WITH 1.438 (36.5) DIA. CAPACITOR	—	—	1.969-2.031 50.0-51.6
WITH 4.875 (123.8) LONG CAPACITOR	1.953-2.203 49.6-56.0	5.078-5.141 129.0-130.6	—
WITH 1.813 (46.1) DIA. CAPACITOR	—	—	2.344-2.406 59.5-61.1



- NOTE:
- IF SPECIFIED ON BILL OF MATERIAL ASSEMBLE THESE PARTS AS SHOWN.
 - SEE SPEC. "A-B" & "A-C" FOR PROCESSING.

DIMENSIONS = INCHES OR MILLIMETERS (MILLIMETERS)

Q.A. SYMBOLS

- ★ = CATEGORY I
- ▲ = CATEGORY III
- = CATEGORY IIII
- = CATEGORY IV

(L)	A	32095
(P)	B	HA531-17
	C	34574
	D	31580-1
	E	34690

APPROVED	DATE	DIS. CODE	NAME	SALES COMPRESSOR
REEVES	22OCT98		BRODERICK	
ADDED TUBE	#34690		3/3/92	
HMB	#40856			
ADDED	3/2/93			
HMB	#70969			
ADDED	3/2/93			
HMB	#226956			
ADDED	3/2/93			
HMB	WAS AT 11.48			
REDRAWN	#226956			
ON O.C.D	3/3/92			
#220833				
DATE				
THIS DRAWING OR PRINT PRODUCES THE COMPANY, REQUIREMENTS AND CONTAINS INFORMATION BELONGING TO TECUMSEH. NOT THE INFORMATION CONTAINED HEREIN OR DISCLOSED THEREIN SHALL BE USED IN ANY MANNER WITHOUT THE EXPRESS AND WRITTEN APPROVAL OF TECUMSEH PRODUCTS CO. AND THE USER SHALL BE RESPONSIBLE FOR OBTAINING ALL NECESSARY PERMISSIONS FROM THE ORIGINAL SUPPLIER OF THE INFORMATION AND FOR THE PROTECTION OF THE INFORMATION. THIS DRAWING IS THE PROPERTY OF TECUMSEH PRODUCTS CO. AND IS TO BE USED ONLY FOR THE PURPOSES SPECIFIED THEREON. IT IS TO BE KEPT IN A SAFE PLACE AND NOT TO BE REPRODUCED OR TRANSMITTED IN ANY MANNER OR BY ANY MEANS, ELECTRONIC OR MECHANICAL, INCLUDING PHOTOCOPYING, RECORDING, OR BY ANY INFORMATION STORAGE AND RETRIEVAL SYSTEM, WITHOUT THE WRITTEN PERMISSION OF TECUMSEH PRODUCTS CO. THIS DRAWING IS MADE COMPLETELY AFTER DO NOT SCALE THIS DRAWING. ALL FERROUS MATERIALS MUST BE MAGNETIZED AS RECEIVED OR AT COMPRESSOR ASSEMBLY.				
MATERIAL			NOTED	
INTERNAL USE ONLY			p1\reeves\ae\dca663.p.c.prt	
TECUMSEH PRODUCTS CO.			PART NO. DCAE663	
TECUMSEH, MICHIGAN				
THIS PRINT SUPERSEDES ALL PRINTS PRIOR TO				