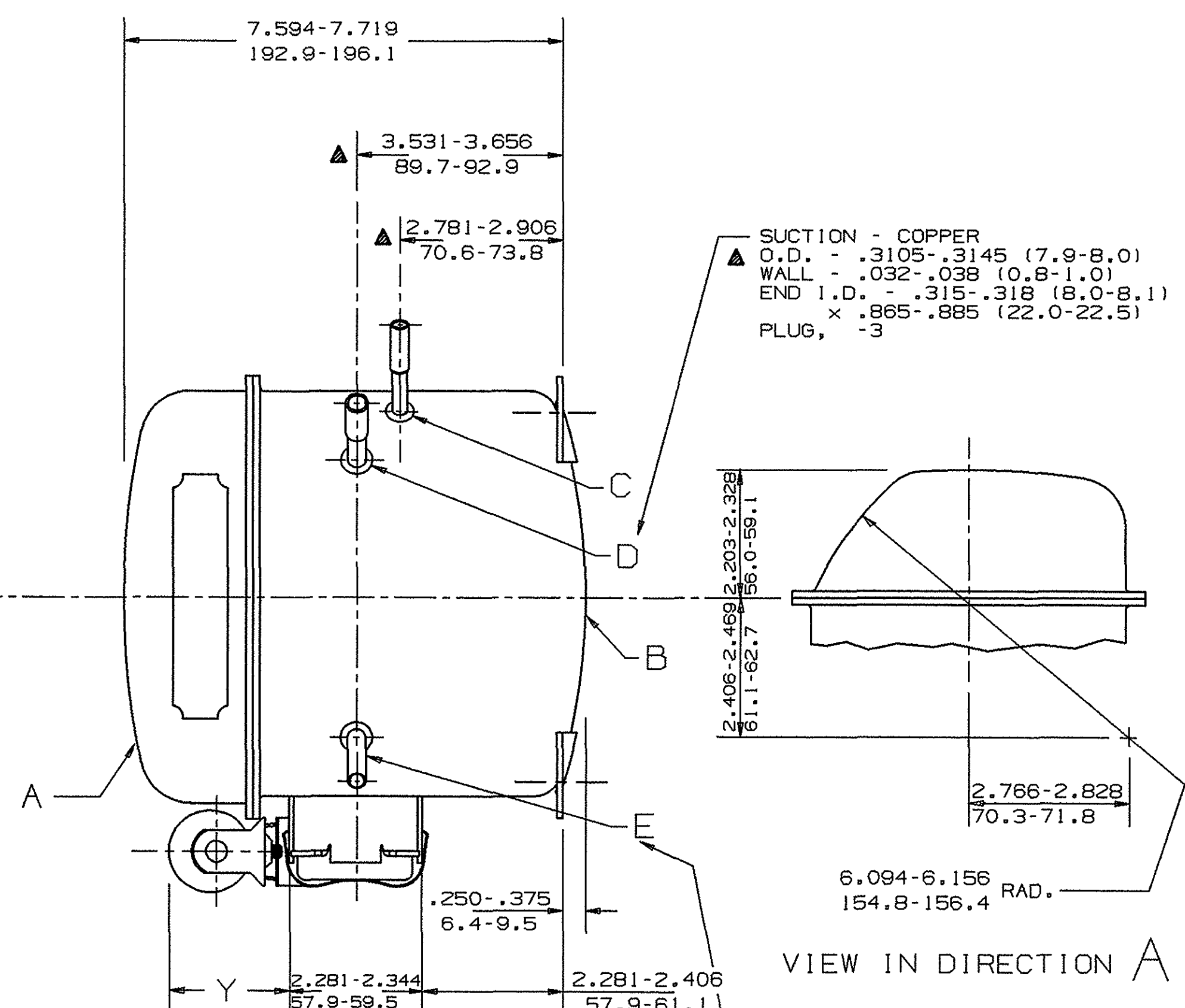
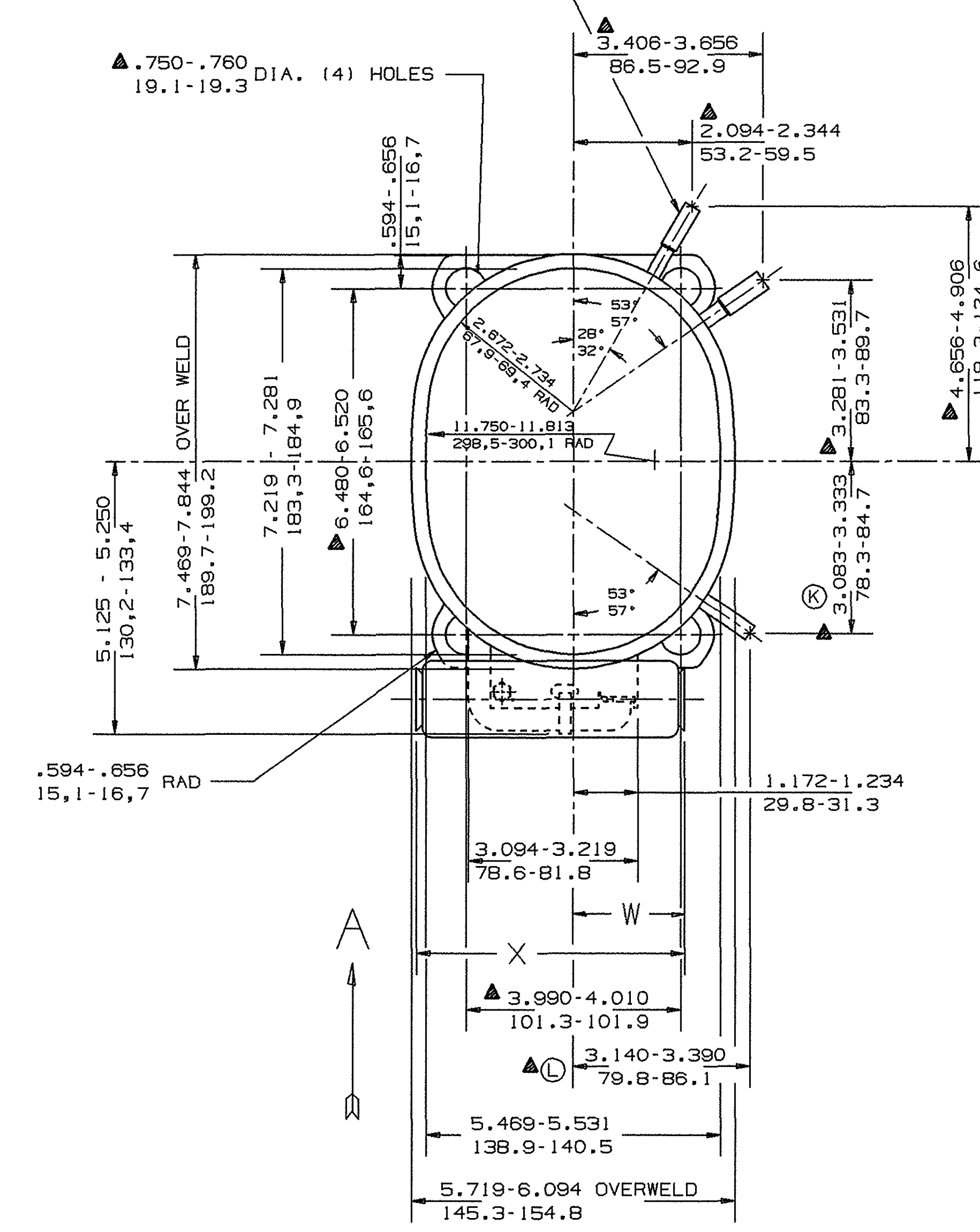


	DIM. W	DIM. X	DIM. Y
WITH 3.875 (98.4) LONG CAPACITOR	1.453-1.703 36.9-43.3	4.078-4.141 103.6-105.2	
WITH 1.438 (36.5) DIA. CAPACITOR			1.969-2.031 50.0-51.6
WITH 4.875 (123.8) LONG CAPACITOR	1.953-2.203 49.6-56.0	5.078-5.141 129.0-130.6	
WITH 1.813 (46.1) DIA. CAPACITOR			2.344-2.406 59.5-61.1

DISCHARGE - STEEL
 O.D. - .247-.253 (6.3-6.4)
 WALL - .025-.031 (0.6-0.8)
 END I.D. - .253-.256 (6.4-6.5)
 PLUG, x .865-.885 (22.0-22.5)
 -2

.750-.760 DIA. (4) HOLES
 19.1-19.3



NOTE:
 1. IF SPECIFIED ON BILL OF MATERIAL ASSEMBLE THESE PARTS AS SHOWN.
 2. SEE SPEC. "A-B" & "A-C" FOR PROCESSING.

DIMENSIONS = INCHES OR INCHES (MILLIMETERS)
MILLIMETERS

(M) PROCESS - COPPER
 O.D. - .3105-.3145 (7.9-8.0)
 I.D. - .254-.258 (6.5-6.6)
 PLUG, -2

Q.A. SYMBOLS

★	CATEGORY I
▲	CATEGORY II
■	CATEGORY III
□	CATEGORY IV

REV	DATE	BY	CHKD	DESCRIPTION
A	10/18/88	HB		32085
B	10/13/88	HB		HA572-1
C	10/13/88	HB		34358-1
D	10/13/88	HB		34134
E	10/13/88	HB		58073-5

DIS. CODE 34D	NAME SALES COMPRESSOR
SCALE 1"=2"	THIS PRINT SUPERSEDES ALL PRINTS PRIOR TO
TECUMSEH PRODUCTS CO. TECUMSEH, MICHIGAN	
MATERIAL NOTED	PART NO. DCAE-234
INTERNAL USE ONLY @GQUIDISK1:BRDERRICK:AE-DCAE-234.REVN.PRT	