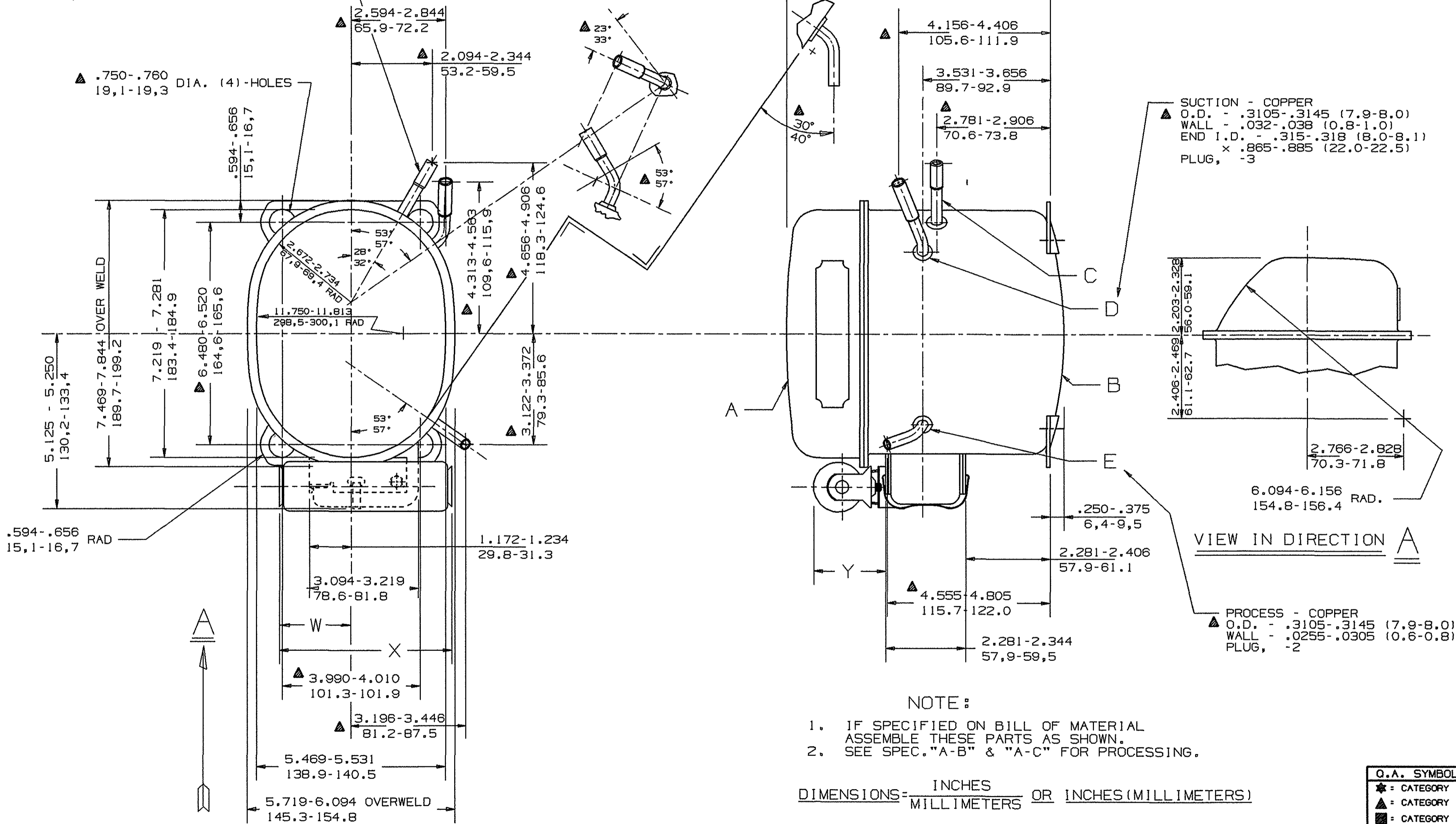


	DIM. W	DIM. X	DIM. Y
WITH 3.875 (98.4) LONG CAPACITOR	1.453-1.703 36.9-43.3	4.078-4.141 103.6-105.2	
WITH 1.438 (36.5) DIA. CAPACITOR			1.988-2.031 50.0-51.6
WITH 4.875 (123.8) LONG CAPACITOR	1.853-2.203 49.6-56.0	5.078-5.141 129.0-130.6	
WITH 1.813 (46.1) DIA. CAPACITOR			2.344-2.408 59.5-61.1

DISCHARGE - COPPER
 O.D. - .3105-.3145 (7.9-8.0)
 WALL - .046-.052 (1.2-1.3)
 SWAGE TO .253-.256 (6.4-6.5) I.D.
 X .719-.781 (18.3-19.8) AFTER ASSY.
 PLUG, -2



SUCTION - COPPER
 O.D. - .3105-.3145 (7.9-8.0)
 WALL - .032-.038 (0.8-1.0)
 END I.D. - .315-.318 (8.0-8.1)
 X .865-.885 (22.0-22.5)
 PLUG, -3

PROCESS - COPPER
 O.D. - .3105-.3145 (7.9-8.0)
 WALL - .0255-.0305 (0.6-0.8)
 PLUG, -2

Q.A. SYMBOLS

★	= CATEGORY I
▲	= CATEGORY II
■	= CATEGORY III
□	= CATEGORY IV

A	32085
B	HA572-20
C	34461
D	34360
E	34690

DATE	11/6/88	DATE	3-3-88	DIS. CODE	34D	NAME	SALES COMPRESSOR	
REV	11/6/88	REV	3-3-88	SCALE	1"=2"	THIS PRINT SUPERSEDES ALL PRINTS PRIOR TO		
O.A. SYMBOLS & CHART ADDED #220704		RECHANG NO CHANGE #212377		TECUMSEH PRODUCTS CO. TECUMSEH, MICHIGAN				
THIS DRAWING OR PRINT (1) IS THE PROPERTY OF TECUMSEH PRODUCTS CO. IT IS TO BE KEPT IN CONFIDENTIALITY AND NOT TO BE REPRODUCED OR TRANSMITTED IN ANY FORM OR BY ANY MEANS, ELECTRONIC OR MECHANICAL, INCLUDING PHOTOCOPYING, RECORDING, OR BY ANY INFORMATION STORAGE AND RETRIEVAL SYSTEM. WITHOUT THE WRITTEN CONSENT AND SIGNATURE OF THE DRAWING ENGINEER, NO PART OF THIS DRAWING OR PRINT IS TO BE COPIED OR REPRODUCED IN ANY MANNER OR FOR ANY EXTENT WITHOUT THE WRITTEN CONSENT AND SIGNATURE OF THE DRAWING ENGINEER. THIS DRAWING IS THE PROPERTY OF TECUMSEH PRODUCTS CO. IT IS TO BE KEPT IN CONFIDENTIALITY AND NOT TO BE REPRODUCED OR TRANSMITTED IN ANY FORM OR BY ANY MEANS, ELECTRONIC OR MECHANICAL, INCLUDING PHOTOCOPYING, RECORDING, OR BY ANY INFORMATION STORAGE AND RETRIEVAL SYSTEM. WITHOUT THE WRITTEN CONSENT AND SIGNATURE OF THE DRAWING ENGINEER, NO PART OF THIS DRAWING OR PRINT IS TO BE COPIED OR REPRODUCED IN ANY MANNER OR FOR ANY EXTENT WITHOUT THE WRITTEN CONSENT AND SIGNATURE OF THE DRAWING ENGINEER.				MATERIAL				PART NO.
G				NOTED				
F				INTERNAL USE ONLY				
LTC				DCAE-736				