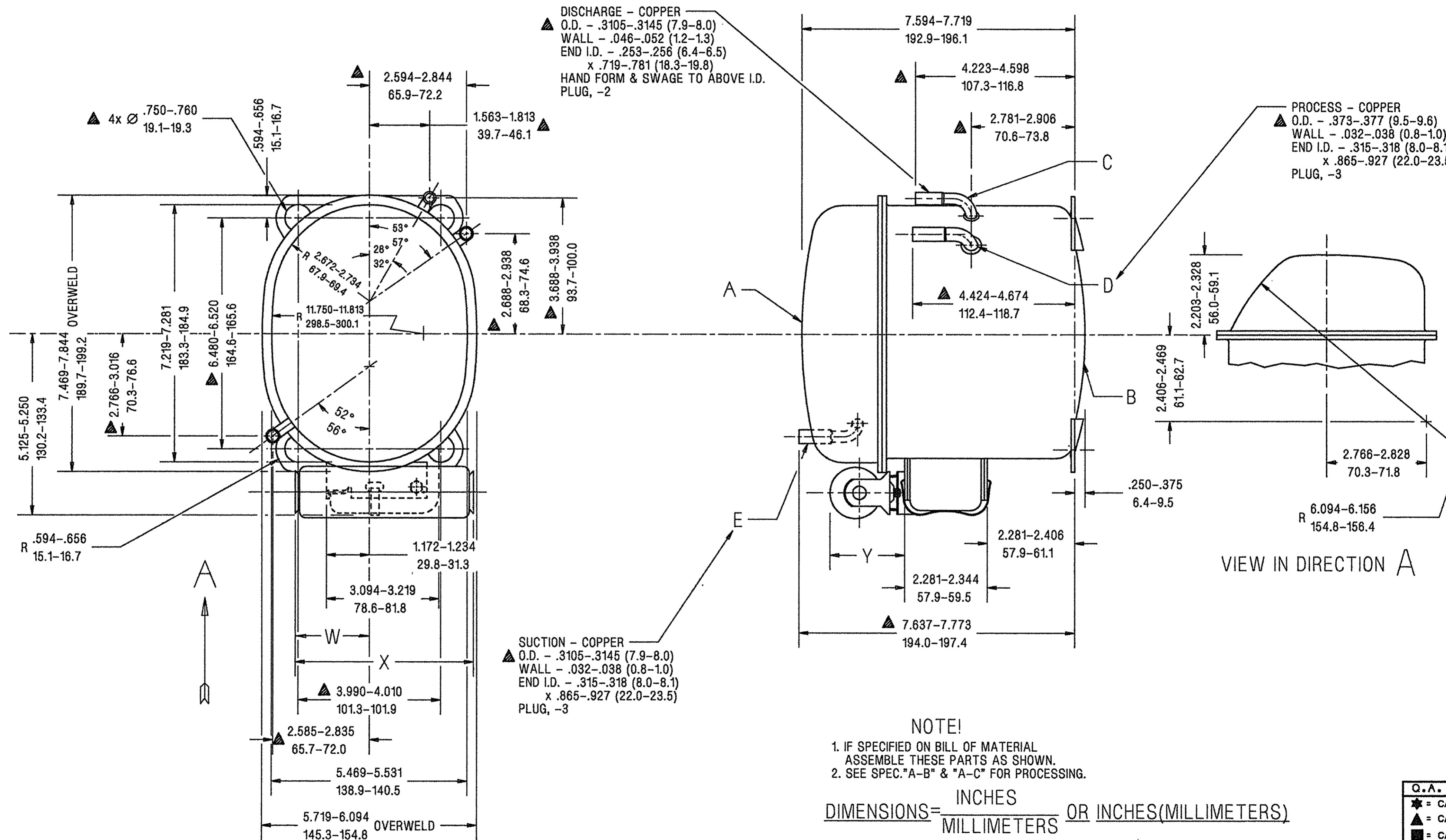


	DIM. W	DIM. X	DIM. Y
WITH 3.875(98.4) LONG CAPACITOR	1.453-1.703 36.9-43.3	4.078-4.141 103.6-105.2	—
WITH 1.438(36.5) DIA. CAPACITOR	—	—	1.969-2.031 50.0-51.6
WITH 4.875(123.8) LONG CAPACITOR	1.953-2.203 49.6-56.0	5.078-5.141 129.0-130.6	—
WITH 1.813(46.1) DIA. CAPACITOR	—	—	2.344-2.406 59.5-61.1



Q.A. SYMBOLS

- ★ = CATEGORY I
- ▲ = CATEGORY II
- = CATEGORY III
- = CATEGORY IV

A	32085-1	R/L #232235-4 L.T. LC CHANGE DATE PROPERTY OF TECUMSEH PRODUCTS COMPANY (TECUMSEH) AND CONTAINS INFORMATION BELONGING TO TECUMSEH. SPECIFIC CONSULTATION MUST BE OBTAINED FROM TECUMSEH BEFORE THIS INFORMATION IS DISCLOSED TO OTHERS WITHOUT THE EXPRESS AND WRITTEN CONSENT OF TECUMSEH. THIS INFORMATION IS TO BE USED ONLY AS EXPRESSLY AND SPECIFICALLY AUTHORIZED BY TECUMSEH. IT IS NOT TO BE COPIED OR REPRODUCED IN ANY MANNER WITHOUT THE EXPRESS AND WRITTEN CONSENT OF TECUMSEH. ALL INFORMATION CONTAINED HEREIN IS UNCLASSIFIED EXCEPT WHERE SHOWN OTHERWISE. ALL INFORMATION CONTAINED HEREIN IS UNCLASSIFIED EXCEPT WHERE SHOWN OTHERWISE. ALL INFORMATION CONTAINED HEREIN IS UNCLASSIFIED EXCEPT WHERE SHOWN OTHERWISE.	DWG. CODE	34D	NAME	SALES COMPRESSOR
B	HA572-35		SCALE	1"=2"	THIS PRINT SUPERSEDES ALL PRINTS PRIOR TO	
C	34461		MATERIAL		NOTED	PART NO.
D	34457		INTERNAL USE ONLY		DCAE964	
E	34787		USIDISK6:CLARKJAE-DCAE964-REL-C-PR			