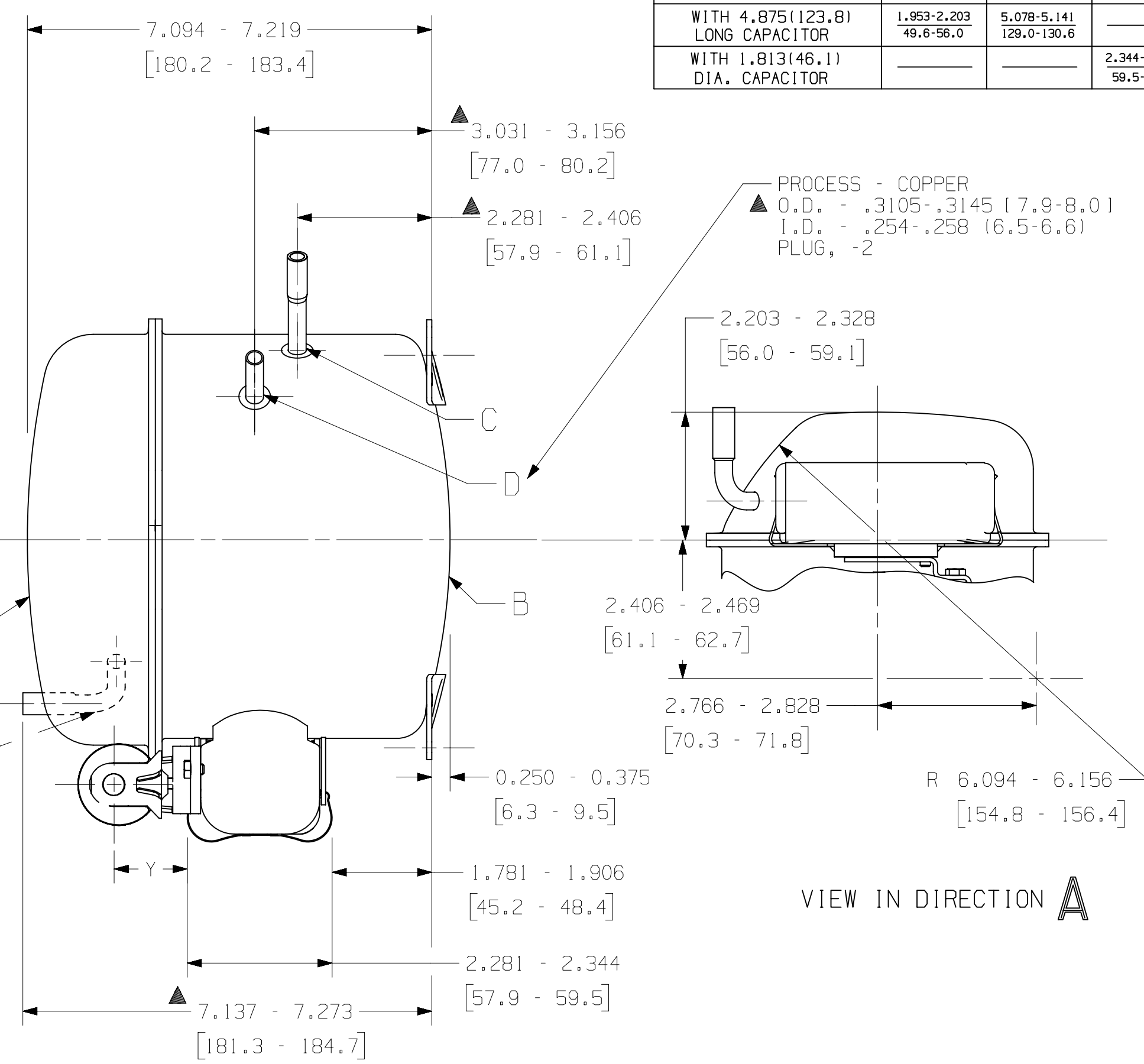
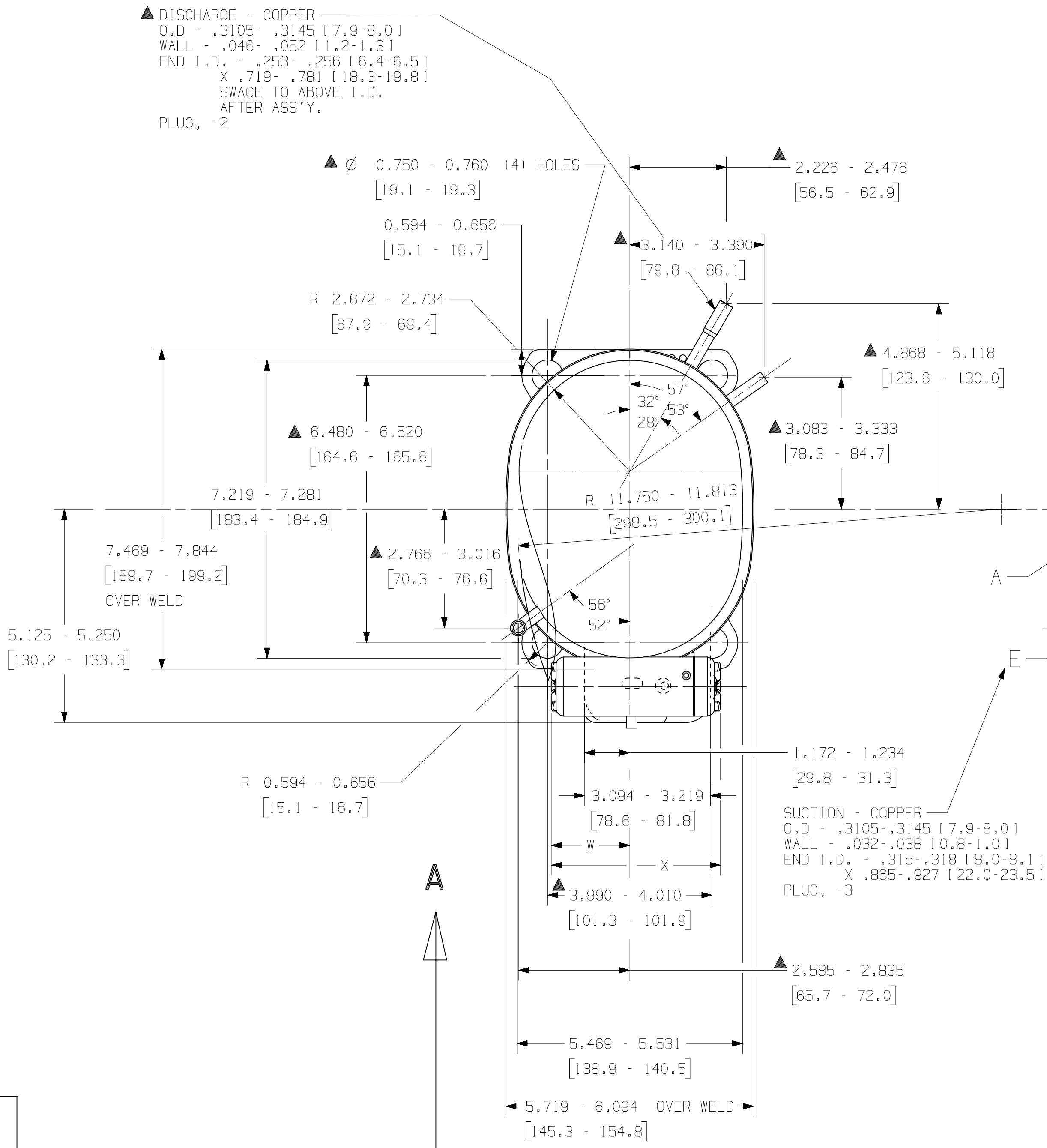


| | DIM. W | DIM. X | DIM. Y |
|----------------------------------|----------------------------|------------------------------|----------------------------|
| WITH 3.875(98.4) LONG CAPACITOR | 1.453-1.703 [36.9-43.3] | 4.078-4.141 [103.6-105.2] | |
| WITH 1.438(36.5) DIA. CAPACITOR | | | 1.989-2.031 [50.0-51.6] |
| WITH 4.875(123.8) LONG CAPACITOR | 1.953-2.203 [49.6-56.0] | 5.078-5.141 [129.0-130.6] | |
| WITH 1.813(46.1) DIA. CAPACITOR | | | 2.344-2.406 [59.5-61.1] |



- NOTE:
1. IF SPECIFIED ON BILL OF MATERIAL ASSEMBLE THESE PARTS AS SHOWN.
 2. SEE SPEC. "A-B" & "A-C" FOR PROCESSING.
 - ▲ 3. MUST COMPLY WITH T.P.Co. GLOBAL SPEC 08.

DIMENSIONS: INCHES OR MILLIMETERS OR INCHES (MILLIMETERS)

3D, VNX6

ENGLISH

Q.A. SYMBOLS

- ★ = CATEGORY I
- ▲ = CATEGORY II
- = CATEGORY III
- = CATEGORY IV

AE

| | | | | | | | | | | | |
|---|----------|---|------|-----------|---|-----------|--|-----------------------|------------------|---|--|
| A | 32085-1 | EC26544 REDRAWN IN 3D NO CHANGE ADDED GLOBAL SPEC 08 18/JAN/10 | DATE | | THIS DRAWING OR PRINT IS THE PROPERTY OF TECUMSEH AND CONTAINS PROPRIETARY AND CONFIDENTIAL INFORMATION. IT IS TO BE KEPT IN CONFIDENTIALITY AND IS NOT TO BE REPRODUCED OR TRANSMITTED IN ANY FORM OR BY ANY MEANS, ELECTRONIC OR MECHANICAL, INCLUDING PHOTOCOPYING, RECORDING, OR BY ANY INFORMATION STORAGE AND RETRIEVAL SYSTEM, WITHOUT THE WRITTEN CONSENT OF TECUMSEH. ANY UNAUTHORIZED USE OR DISCLOSURE OF THIS INFORMATION SHALL BE SUBJECT TO LEGAL ACTION. THE USER OF THIS DRAWING SHALL BE RESPONSIBLE FOR OBTAINING ALL NECESSARY RIGHTS AND PERMISSIONS FROM THE APPLICABLE THIRD PARTY. THE USER SHALL BE RESPONSIBLE FOR OBTAINING ALL NECESSARY RIGHTS AND PERMISSIONS FROM THE APPLICABLE THIRD PARTY. THE USER SHALL BE RESPONSIBLE FOR OBTAINING ALL NECESSARY RIGHTS AND PERMISSIONS FROM THE APPLICABLE THIRD PARTY. | DWG. CODE | | NAME | SALES COMPRESSOR | | |
| B | HA531-18 | | REL | #230905-1 | | | | SCALE | 1:1 & NOTED | THIS PRINT SUPERSEDES ALL PRINTS PRIOR TO | |
| C | 34461-1 | | | | | | | TECUMSEH PRODUCTS CO. | | DRAWING NO. | |
| D | 58073-5 | | | | | | | TECUMSEH, MICHIGAN | | DCAE950 | |
| E | 34787 | | | | | | | MATERIAL | | NOTED | |