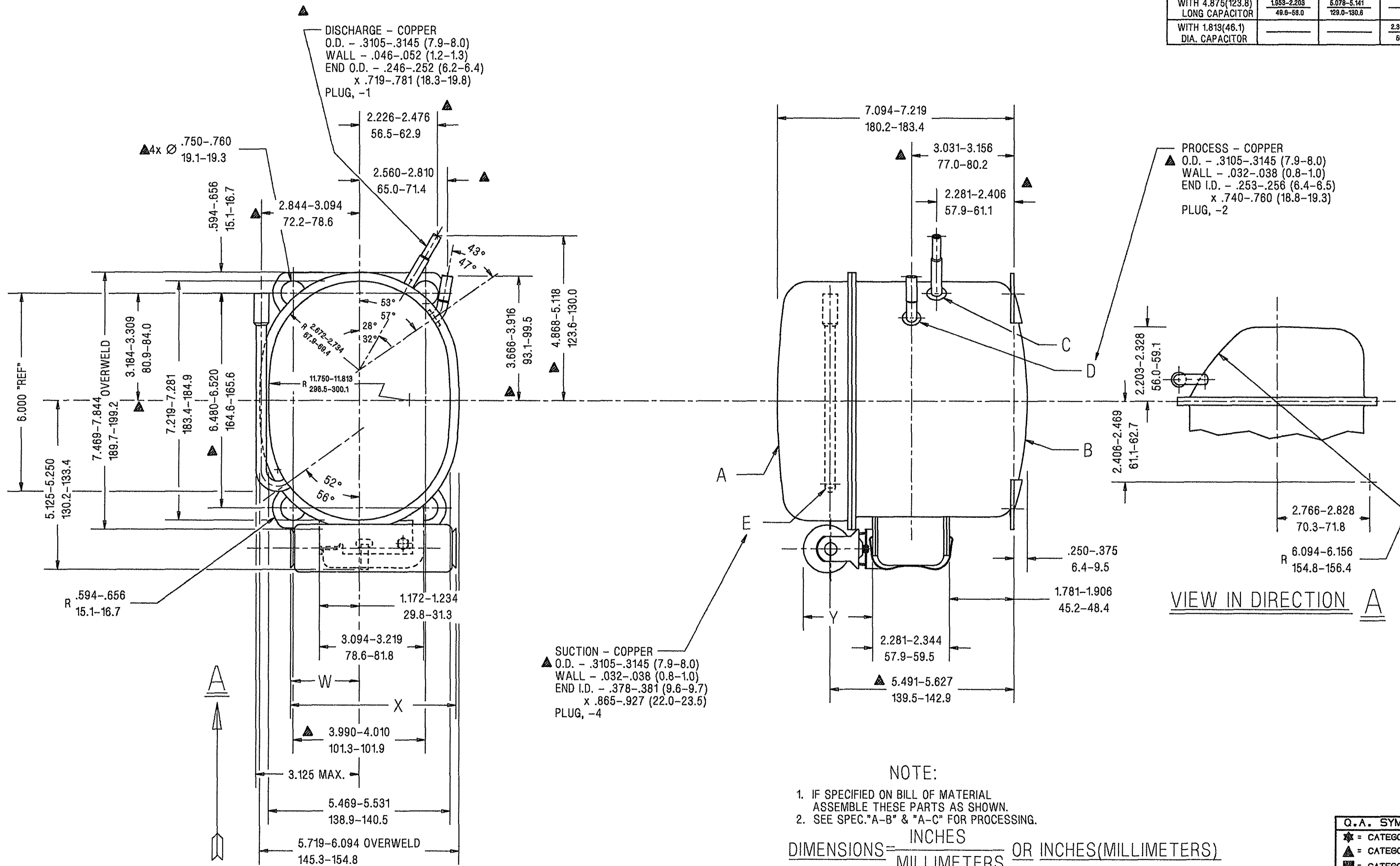


	DIM. W	DIM. X	DIM. Y
WITH 3.875(98.4) LONG CAPACITOR	1.453-1.703 36.9-43.3	4.078-4.141 103.8-105.2	
WITH 1.438(36.5) DIA. CAPACITOR			1.889-2.031 60.0-51.6
WITH 4.875(123.8) LONG CAPACITOR	1.953-2.203 49.6-56.0	5.078-5.141 129.0-130.6	
WITH 1.813(46.1) DIA. CAPACITOR			2.344-2.406 59.5-61.1



NOTE:
1. IF SPECIFIED ON BILL OF MATERIAL ASSEMBLE THESE PARTS AS SHOWN.
2. SEE SPEC."A-B" & "A-C" FOR PROCESSING.

DIMENSIONS = INCHES OR INCHES(MILLIMETERS)

Q.A. SYMBOLS

★	= CATEGORY I
▲	= CATEGORY II
■	= CATEGORY III
□	= CATEGORY IV

A	32085-1
B	HA531-18
C	34846
D	34339
E	34804

DATE	DATE	DIS. CODE	340	NAME	SALES COMPRESSOR	
REV. #	232239-1	SCALE	1"=2"	THIS PRINT SUPERSEDES ALL PRINTS PRIOR TO		
CHG		TECUMSEH PRODUCTS CO.		PART NO. DCAE958		
LC		TECUMSEH, MICHIGAN		MATERIAL NOTED		
REL		INTERNAL USE ONLY		UGIDISKS:(CLARK)AE-DCAE958□REL-C.PRT		