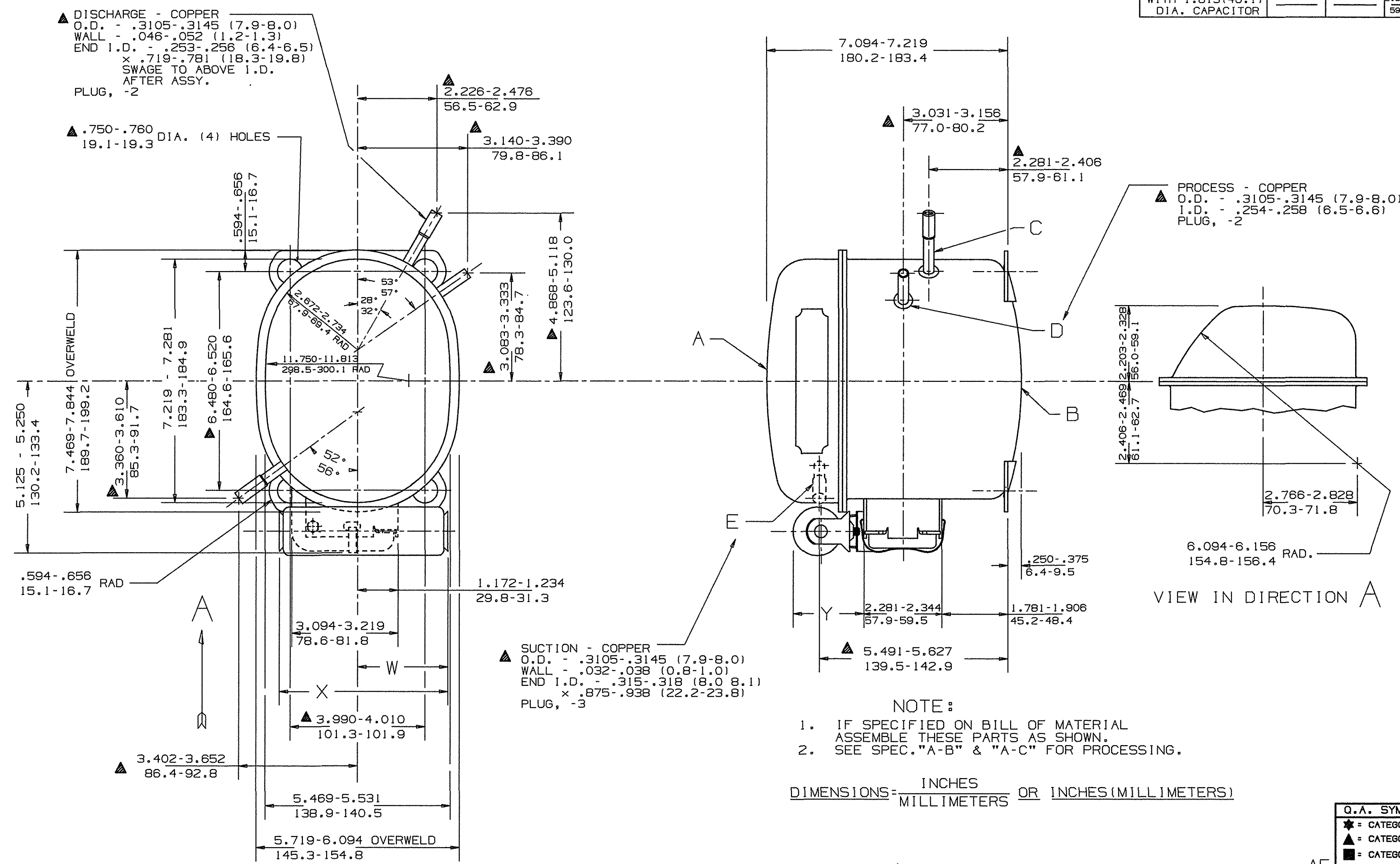


	DIM.W	DIM.X	DIM.Y
WITH 3.875 (98.4) LONG CAPACITOR	1.788-2.038 45.4-51.8	4.078-4.141 103.6-105.2	—
WITH 1.438 (36.5) DIA. CAPACITOR	—	—	1.989-2.031 50.0-51.6
WITH 4.875 (123.8) LONG CAPACITOR	2.436-2.686 61.9-68.2	5.078-5.141 129.0-130.6	—
WITH 1.813 (46.1) DIA. CAPACITOR	—	—	2.344-2.406 59.5-61.1



Q.A. SYMBOLS

- ★ = CATEGORY I
- ▲ = CATEGORY II
- = CATEGORY III
- = CATEGORY IV

A	32085-1	WAS EXDCAE1989 #218280 RLL LC DATE CHANGE DATE THIS DRAWING OR PRINT IS THE PROPERTY OF TECUMSEH PRODUCTS COMPANY AND IS NOT TO BE REPRODUCED OR TRANSMITTED IN ANY FORM OR BY ANY MEANS, ELECTRONIC OR MECHANICAL, INCLUDING PHOTOCOPYING, RECORDING, OR BY ANY INFORMATION STORAGE AND RETRIEVAL SYSTEM, WITHOUT THE WRITTEN CONSENT AND (LVI) APPROVAL OF THE MANAGER OF TECHNICAL SERVICES AND (LVI) APPROVAL OF THE MANAGER OF SALES. ANY UNAUTHORIZED REPRODUCTION OR TRANSMISSION OF THIS DRAWING OR PRINT IS PROHIBITED.	DIS. CODE	NAME	SALES COMPRESSOR SCALE 1"=2" THIS PRINT SUPERSEDES ALL PRINTS PRIOR TO PART NO. DCAE915
B	HA531-31		340	TECUMSEH PRODUCTS CO. TECUMSEH, MICHIGAN	
C	34461-1		INTERNAL USE ONLY	NOTED	
D	58073-5		©UGIDISK1:BRDERRICK:AE-DCAE915.REL.PRT		
E	34134				