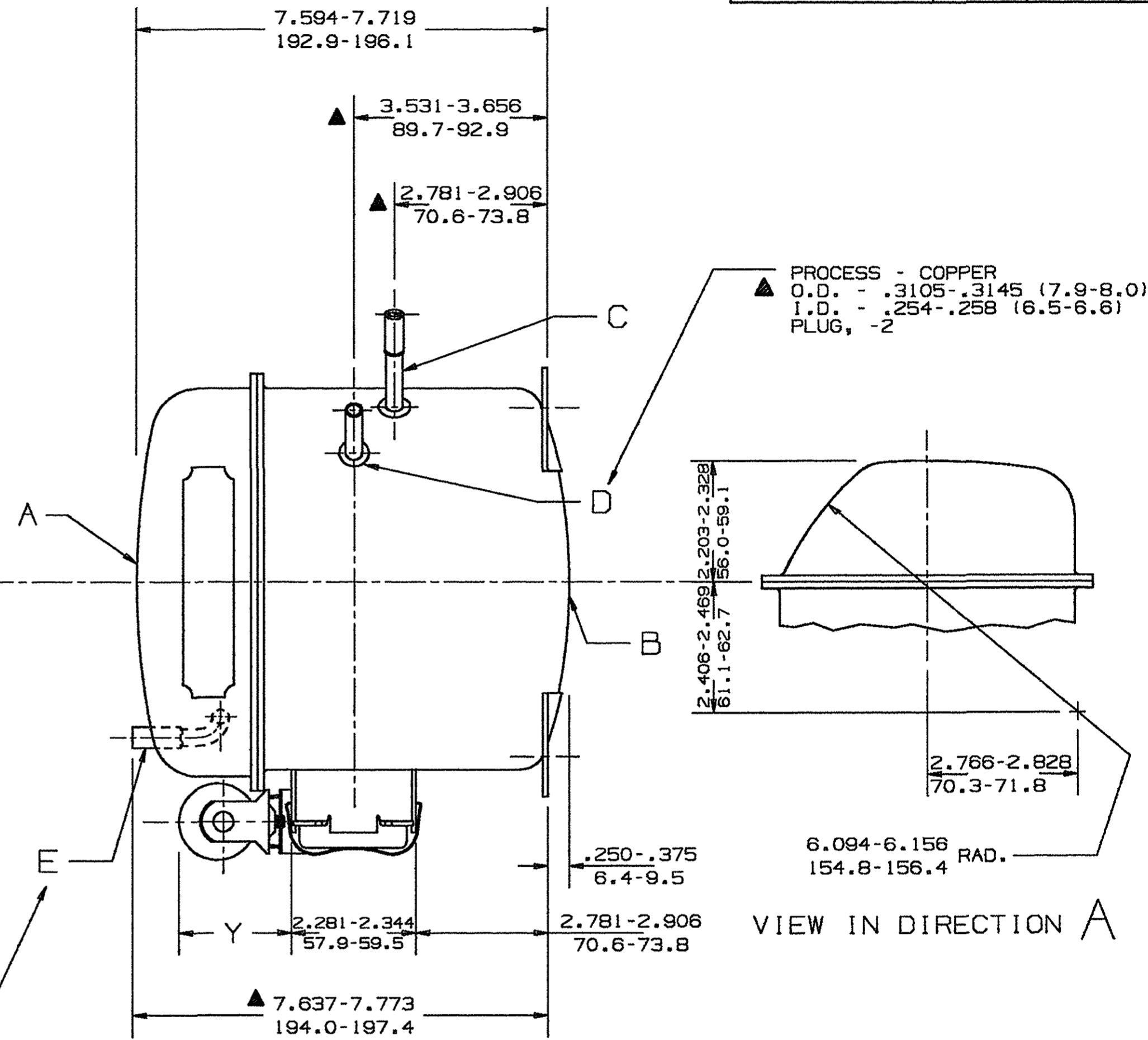
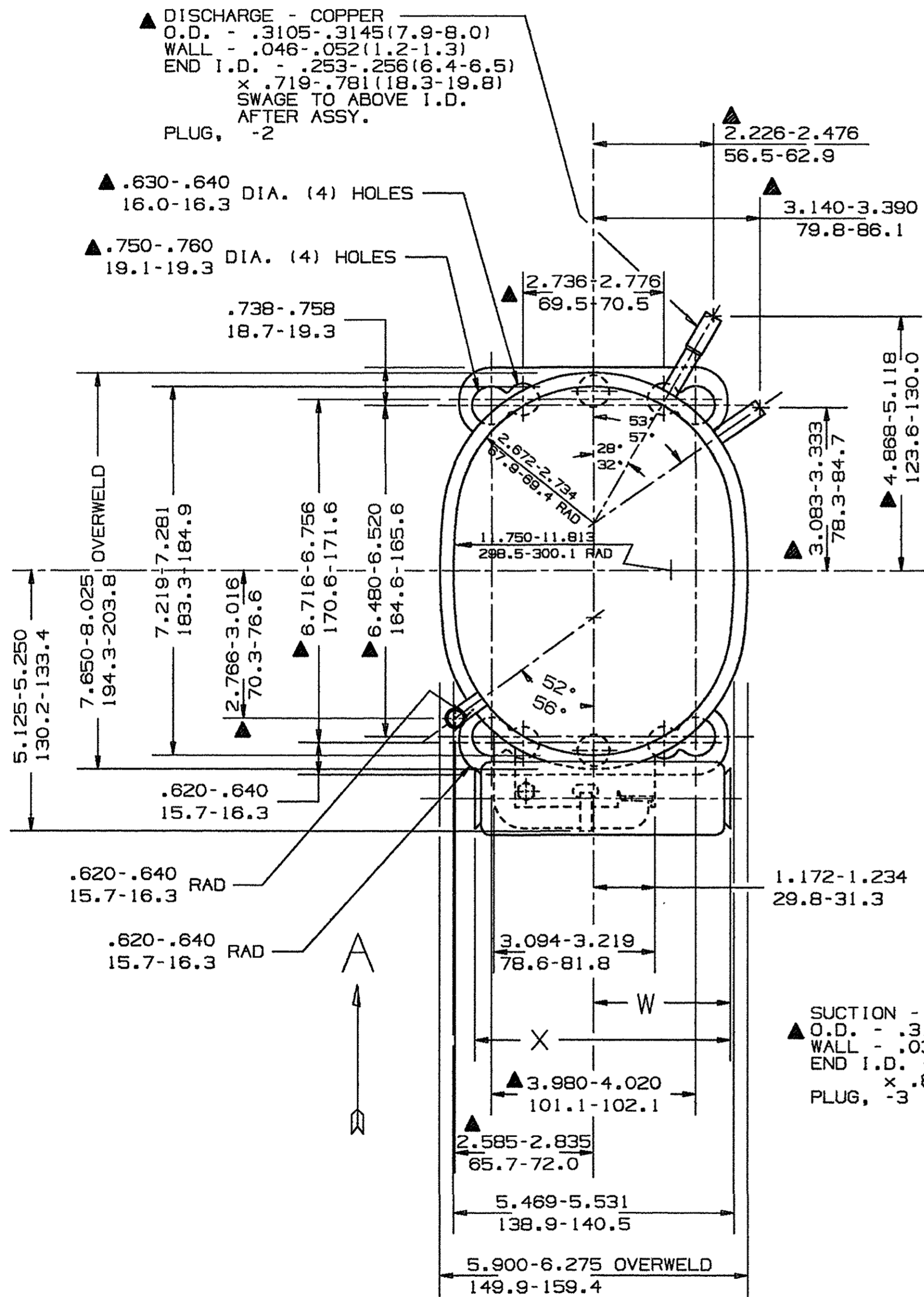


	DIM. W	DIM. X	DIM. Y
WITH 3.875 (98.4) LONG CAPACITOR	1.788-2.038 45.4-51.8	4.078-4.141 103.6-105.2	
WITH 1.438 (36.5) DIA. CAPACITOR			1.989-2.031 50.0-51.8
WITH 4.875 (123.8) LONG CAPACITOR	2.436-2.686 61.9-68.2	5.078-5.141 129.0-130.8	
WITH 1.813 (46.1) DIA. CAPACITOR			2.344-2.408 59.5-61.1



SUCTION - COPPER
▲ O.D. - .3105-.3145 (7.9-8.0)
WALL - .032-.038 (0.8-1.0)
END I.D. - .315-.318 (8.0-8.1)
x .865-.927 (22.0-23.5)
PLUG, -3

- NOTE:
- IF SPECIFIED ON BILL OF MATERIAL ASSEMBLE THESE PARTS AS SHOWN.
 - SEE SPEC. "A-B" & "A-C" FOR PROCESSING.

DIMENSIONS = INCHES OR INCHES (MILLIMETERS)
MILLIMETERS

T.P. Co. — BRAZIL ONLY

Q.A. SYMBOLS

★	= CATEGORY I
▲	= CATEGORY II
■	= CATEGORY III
□	= CATEGORY IV

A	32134-1				
B	HA625-4				
C	34529				
D	58073-5				
E	34787				

RE-RELEASED FROM 2/28/89	DATE	DIS. CODE	NAME
12/17/89	3/18/81	34D	SALES COMPRESSOR
MTG. FEET REVISED #215841	RELEASED WAS DCAE905 #218280		
REL	DATE		
	2/4/81		
LT. LC. CHANGE			
DO NOT SCALE THIS DRAWING ALL DIMENSIONS ARE TO BE MANUFACTURED AS RECEIVED OR AT COMPRESSOR ASSEMBLY.			
MATERIAL NOTED			SCALE 1"=2"
INTERNAL USE ONLY UGDISK6/BRODERICK/AE-DCAE911C-B-C.PRT			THIS PRINT SUPERSEDES ALL PRINTS PRIOR TO
TECUMSEH PRODUCTS CO. TECUMSEH, MICHIGAN			PART NO. DCAE911