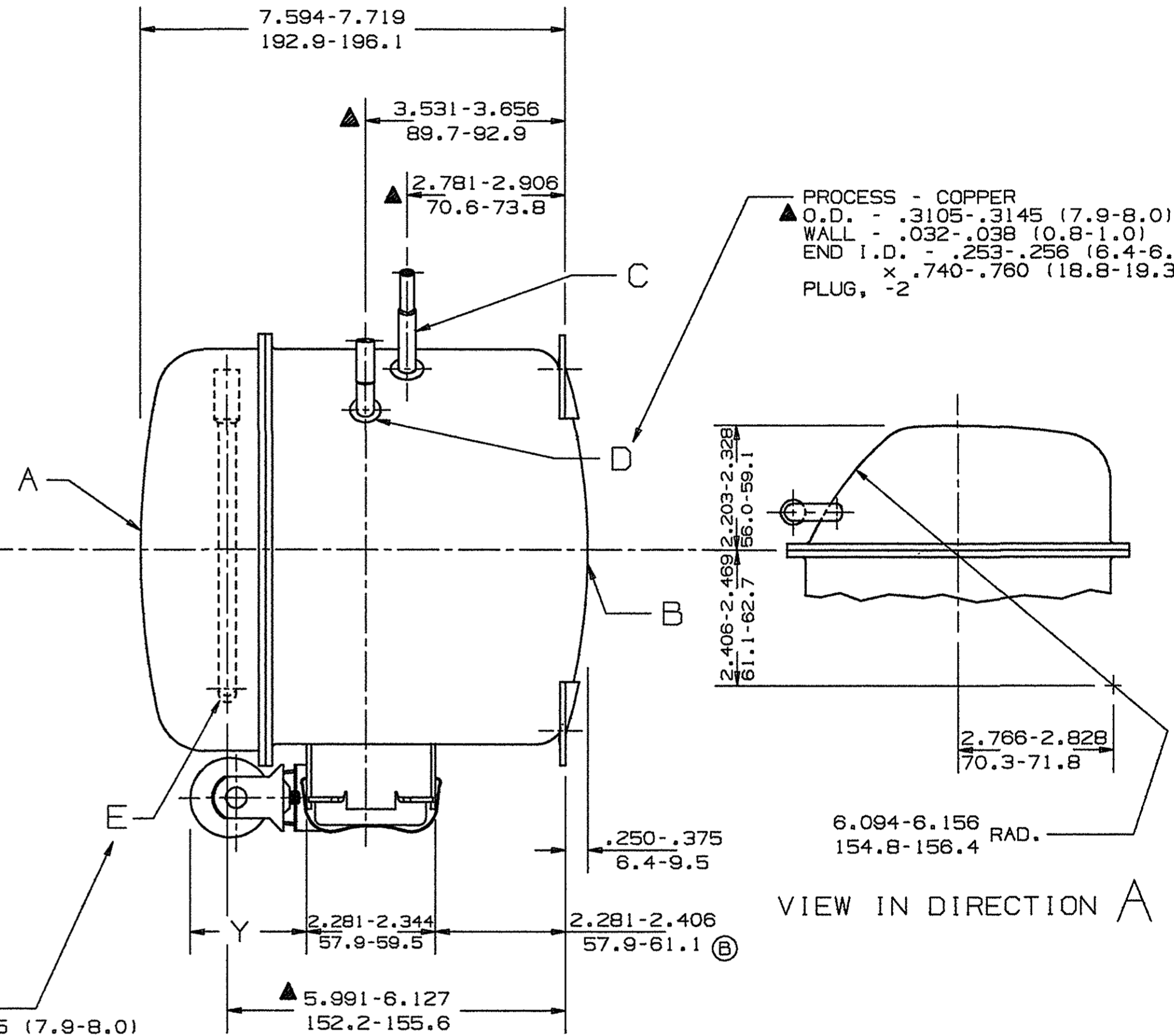
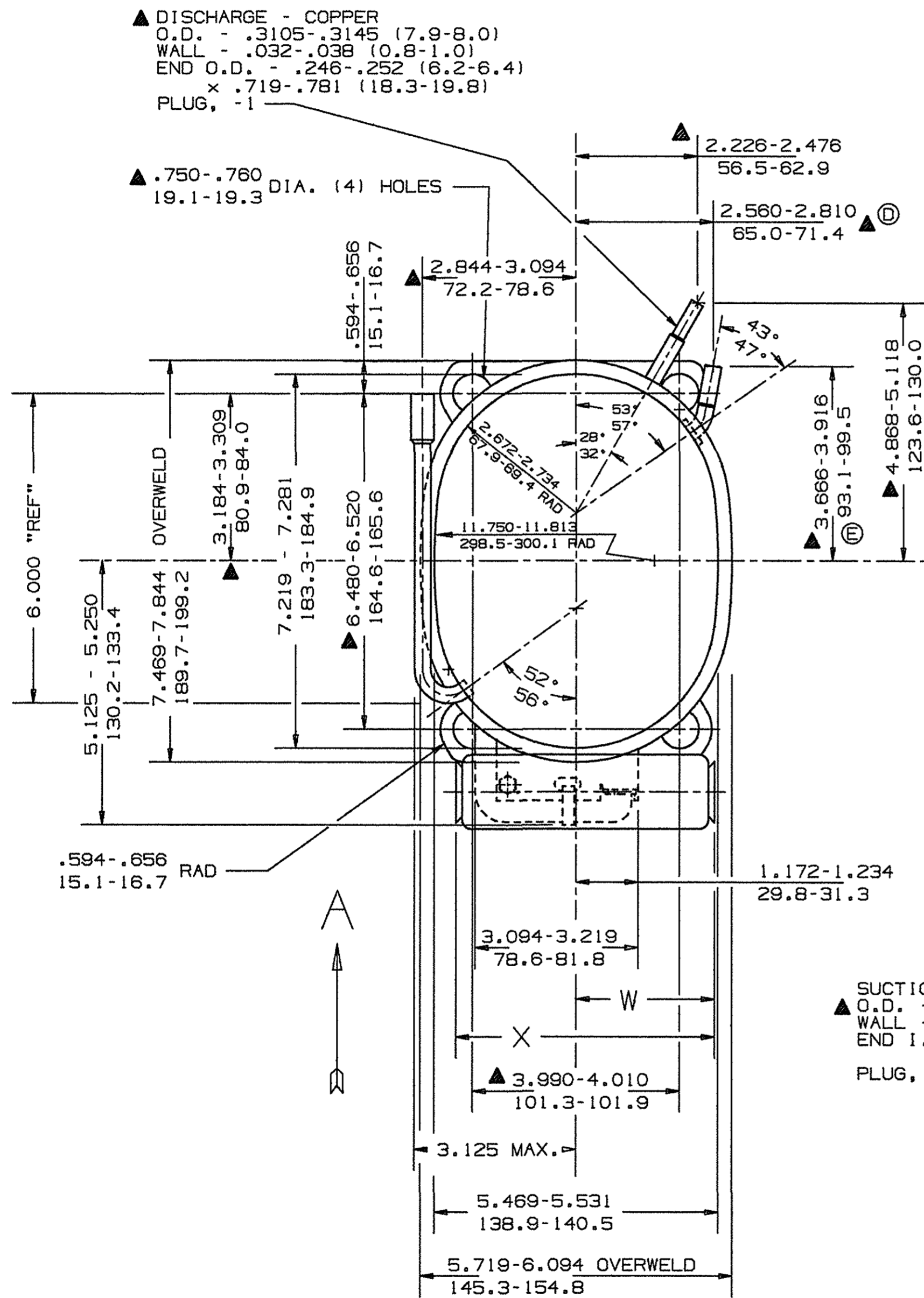


	DIM. W	DIM. X	DIM. Y
WITH 3.875 (98.4) LONG CAPACITOR	1.788-2.038 45.4-51.8	4.078-4.141 103.6-105.2	
WITH 1.438 (36.5) DIA. CAPACITOR			1.969-2.031 50.0-51.8
WITH 4.875 (123.8) LONG CAPACITOR	2.438-2.686 61.9-68.2	5.078-5.141 128.0-130.8	
WITH 1.813 (46.1) DIA. CAPACITOR			2.344-2.406 59.5-61.1



NOTE:  
1. IF SPECIFIED ON BILL OF MATERIAL ASSEMBLE THESE PARTS AS SHOWN.  
2. SEE SPEC. "A-B" & "A-C" FOR PROCESSING.

DIMENSIONS = INCHES OR INCHES (MILLIMETERS)

Q.A. SYMBOLS

- ★ = CATEGORY I
- ▲ = CATEGORY II
- = CATEGORY III
- = CATEGORY IV

A	32085-1
B	HA572-22
C	34805
D	34339
E	34804

REV	DATE	DESCRIPTION
1	1/28/84	WAS 3.570-3.820 90.7-97.0 #229074
2	1/28/84	WAS 2.443-2.693 62.1-68.4 #229074
3	1/28/84	WAS 3.446-4.010 87.1-101.9 #229074
4	5/12/83	WAS 2.787-3.006 70.8-76.8 #227619
5	1/18/83	WAS 3.433-4.010 87.1-101.9 #226208

DIS. CODE 34D

NAME SALES COMPRESSOR

SCALE 1"=2"

THIS PRINT SUPERSEDES ALL PRINTS PRIOR TO

TECUMSEH PRODUCTS CO.  
TECUMSEH, MICHIGAN

MATERIAL NOTED

INTERNAL USE ONLY  
UGDISK6: (BRODERICK) AE-DCAE925CIE-C.PRT

PART NO. DCAE925