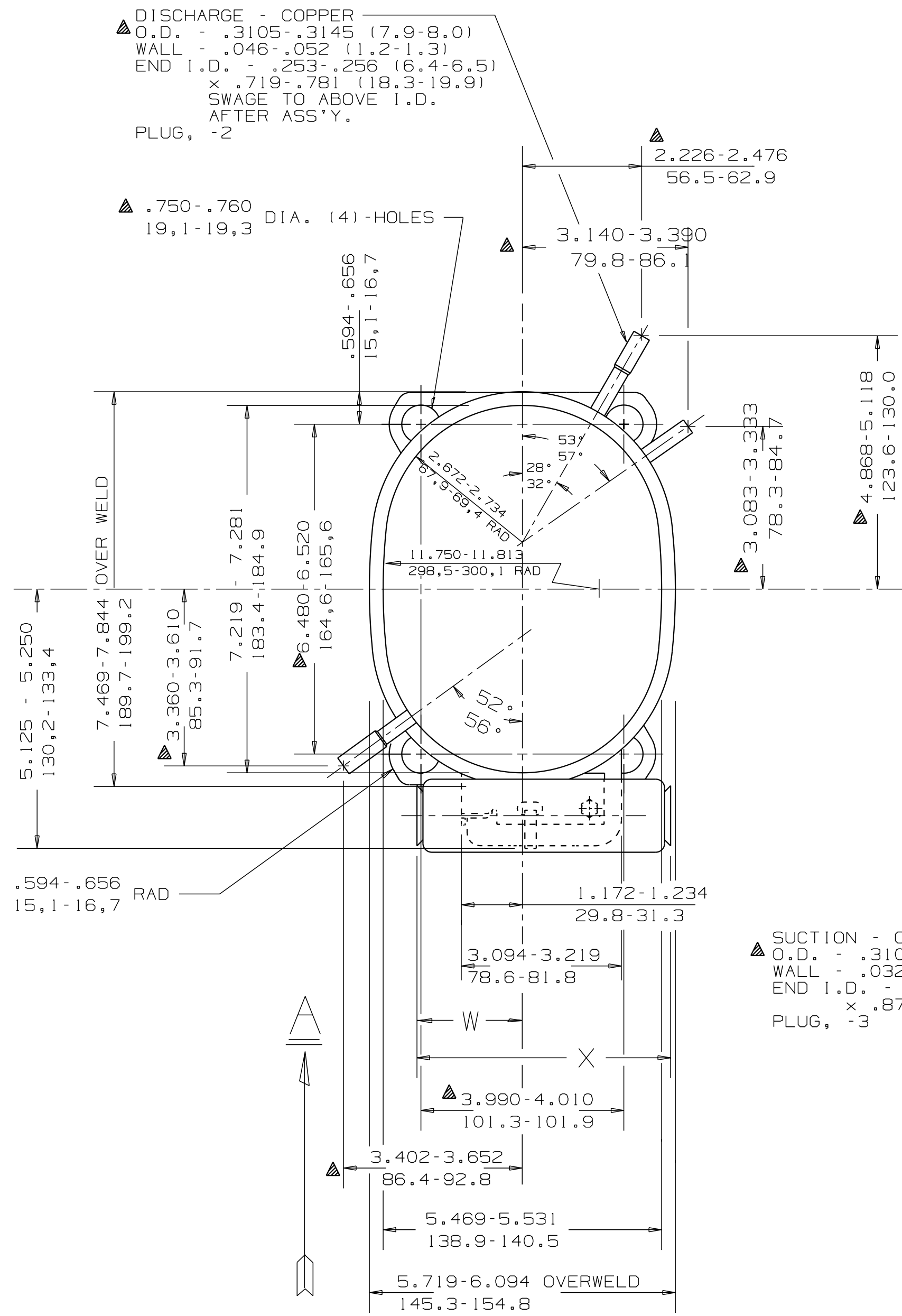
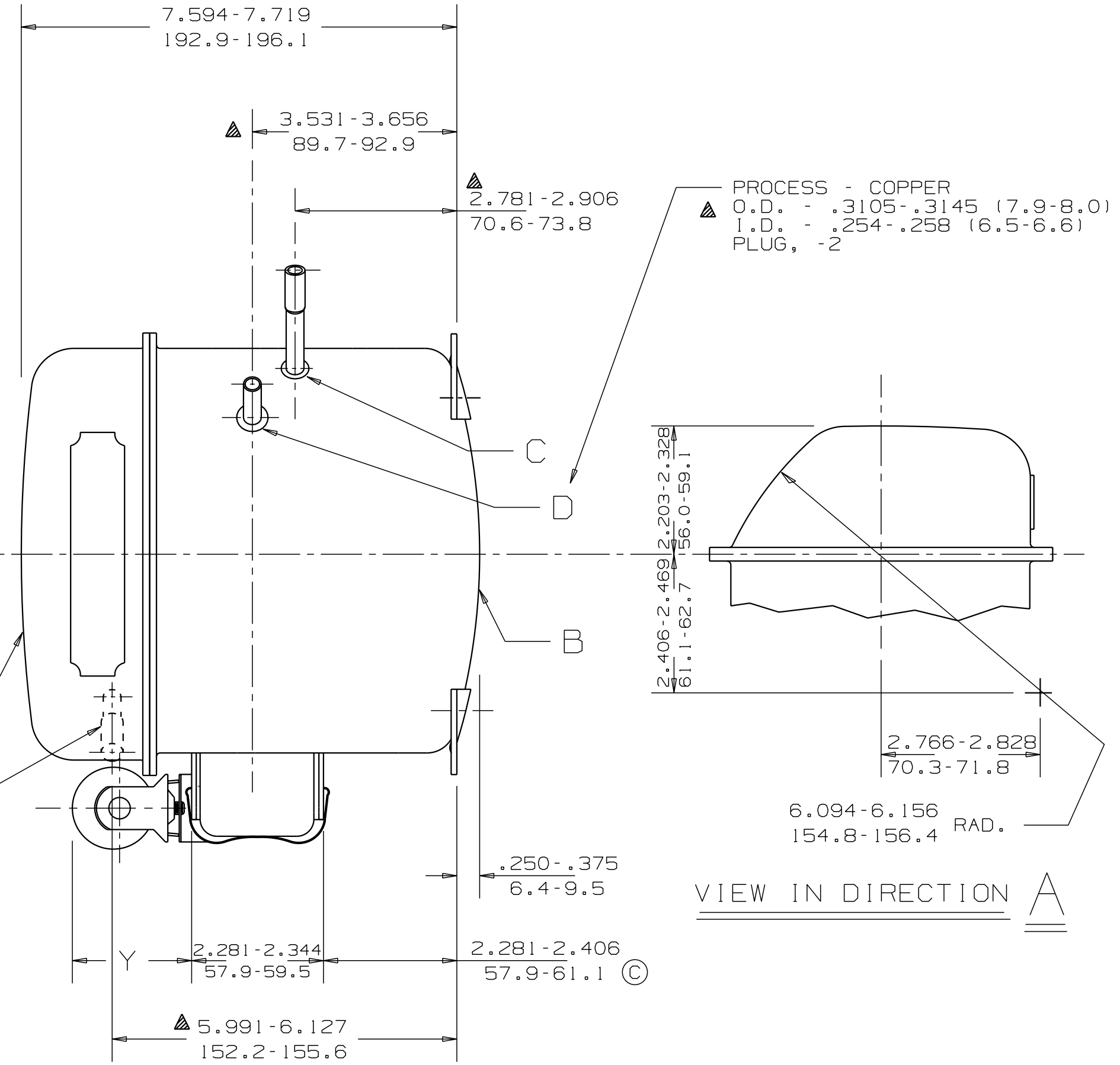


	DIM. W	DIM. X	DIM. Y
WITH 3.875 (98.4) LONG CAPACITOR	1.453-1.703 36.9-43.3	4.078-4.141 103.6-105.2	—
WITH 1.438 (36.5) DIA. CAPACITOR	—	—	1.969-2.031 50.0-51.6
WITH 4.875 (123.8) LONG CAPACITOR	1.953-2.203 49.6-56.0	5.078-5.141 129.0-130.6	—
WITH 1.813 (46.1) DIA. CAPACITOR	—	—	2.344-2.406 59.5-61.1



SUCTION - COPPER
 O.D. - .3105-.3145 (7.9-8.0)
 WALL - .032-.038 (0.8-1.0)
 END I.D. - .315-.318 (8.0-8.1)
 x .875-.938 (22.2-23.8)
 PLUG, -3



- NOTE:
- IF SPECIFIED ON BILL OF MATERIAL ASSEMBLY THESE PARTS AS SHOWN.
 - SEE SPEC. "A-B" & "A-C" FOR PROCESSING.

DIMENSIONS: INCHES OR INCHES (MILLIMETERS)
 MILLIMETERS

O.A. SYMBOLS

★	CATEGORY I
▲	CATEGORY II
■	CATEGORY III
□	CATEGORY IV

A	32085-1
B	HA572-25
C	BR34529-2
D	58073-5
E	34134

LT	LC	CHANGE	DATE	DESCRIPTION
D	6A	EC4192 WAS 34529	T.M.G 30MAR07	
C	2	2.781-2.906 70.6-73.8 #227619	HMB 5/12/93	
B	6	HA572-22 #221126	HB 1/22/91	
A	—	REDRAWN & REVISED AS PER EXDCAE2042 #221126	HB 1/22/91	
REL	—	#221126 -035	—	

DIS. CODE		NAME	
		SALES COMPRESSOR	
MATERIAL		SCALE	THIS PRINT SUPERSEDES ALL PRINTS PRIOR TO
NOTED		1"=2"	
TECUMSEH PRODUCTS CO. TECUMSEH, MICHIGAN		PART NO. DCAE901	