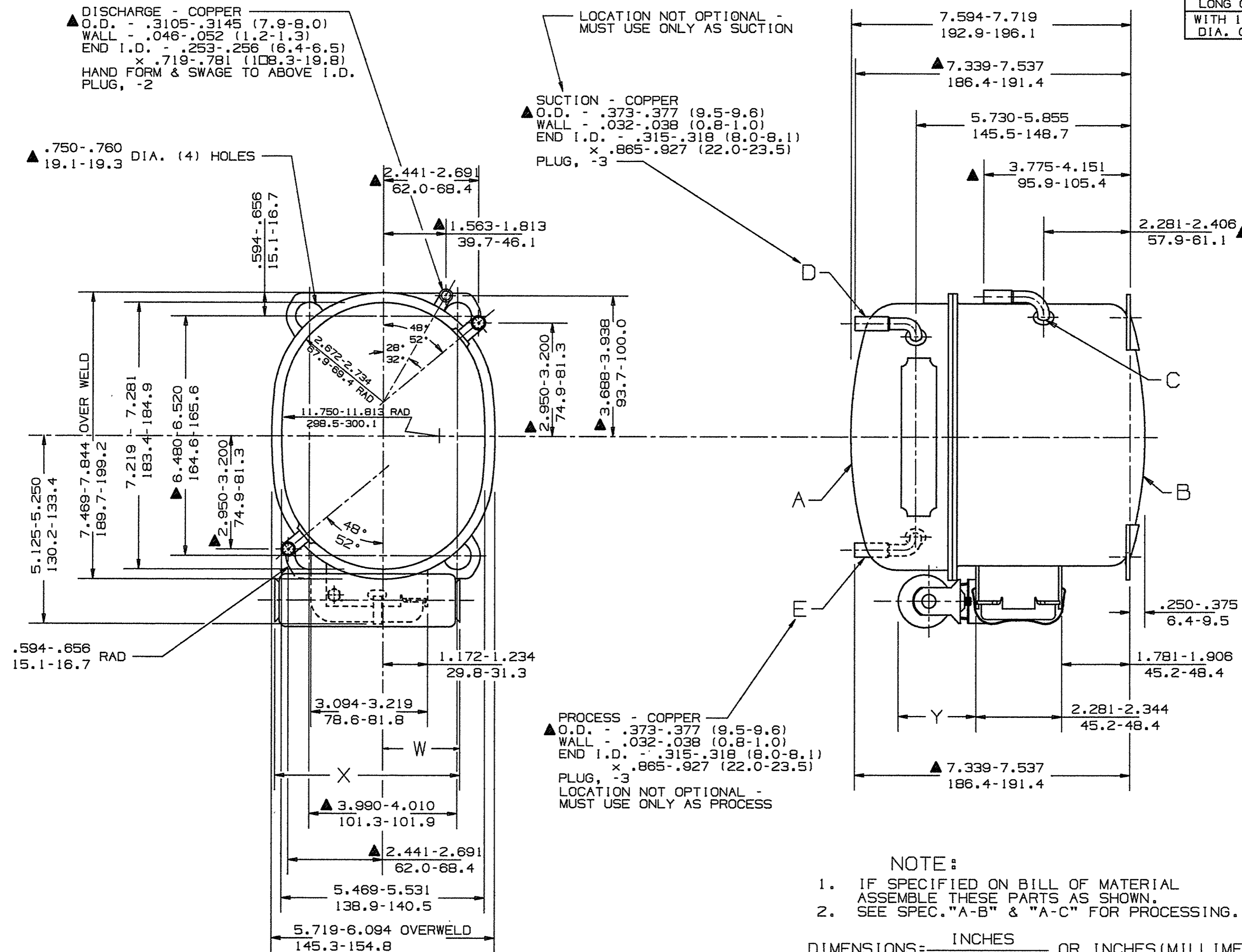


	DIM.W	DIM.X	DIM.Y
WITH 3.875 (98.4) LONG CAPACITOR	1.453-1.703 36.9-43.3	4.078-4.141 103.6-105.2	
WITH 1.438 (36.5) DIA. CAPACITOR			1.969-2.031 50.0-51.6
WITH 4.875 (123.8) LONG CAPACITOR	1.953-2.203 49.6-56.0	5.078-5.141 129.0-130.6	
WITH 1.813 (46.1) DIA. CAPACITOR			2.344-2.406 59.5-61.1



Q.A. SYMBOLS

- ★ = CATEGORY I
- ▲ = CATEGORY II
- = CATEGORY III
- = CATEGORY IV

A	32095-4
B	HA531-35
C	34461
D	34457
E	34457

WAS #227175	DATE 6/7/88
REL EXDCAE2131	
LT LC CHANGE	
<small>PROPERTY OF TECUMSEH PRODUCTS COMPANY, TECUMSEH, MICHIGAN. THIS DRAWING IS THE PROPERTY OF TECUMSEH PRODUCTS COMPANY AND CONTAINS INFORMATION BELONGING TO TECUMSEH. IT IS TO BE USED ONLY FOR THE EXPRESS AND SPECIFIC CONDITION THAT NEITHER IT NOR ANY PART THEREOF OR DISCLOSED THEREIN SHALL BE REPRODUCED, COPIED, EITHER WHOLLY OR PARTIALLY, WITHOUT THE EXPRESS AND WRITTEN CONSENT OF TECUMSEH PRODUCTS COMPANY. ANY REPRODUCTION OR USE OF THIS DRAWING WITHOUT THE EXPRESS AND WRITTEN CONSENT OF TECUMSEH PRODUCTS COMPANY IS STRICTLY PROHIBITED. THIS DRAWING IS NOT TO BE REPRODUCED OR USED IN ANY MANNER WITHOUT THE EXPRESS AND WRITTEN CONSENT OF TECUMSEH PRODUCTS COMPANY. ALL DIMENSIONS ARE IN UNLESS OTHERWISE SPECIFIED.</small>	
DIS. CODE 34D	NAME SALES COMPRESSOR
SCALE 1"=2"	THIS PRINT SUPERSEDES ALL PRINTS PRIOR TO
MATERIAL NOTED	PART NO. DCAE932
INTERNAL USE ONLY @UGDISKS:BRDERRICK\AE-DCAE932\REL.PRT	