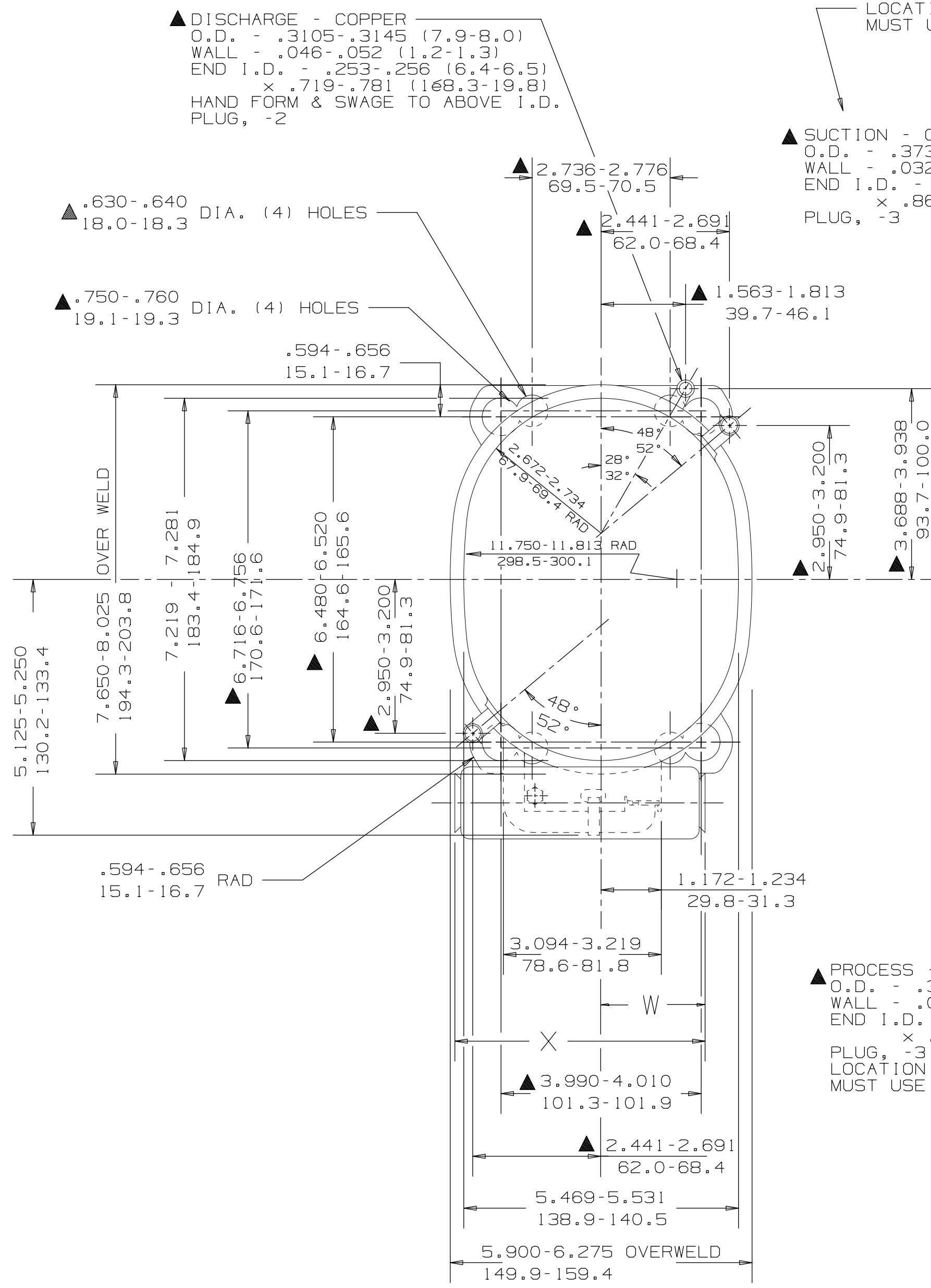


PART NO.
DCAE943

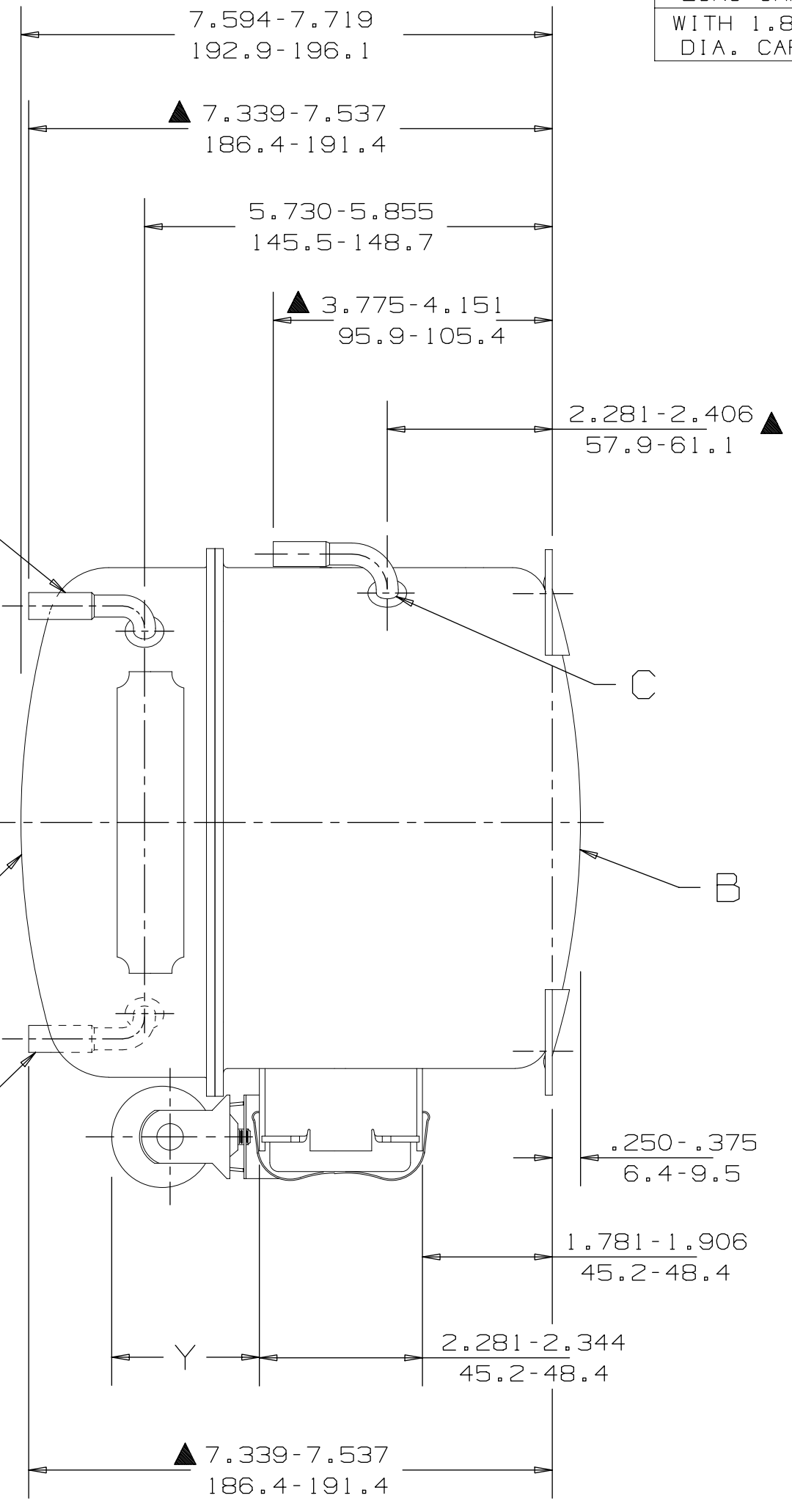
	DIM. W	DIM. X	DIM. Y
WITH 3.875 (98.4) LONG CAPACITOR	1.453-1.703 36.9-43.3	4.078-4.141 103.6-105.2	
WITH 1.438 (36.5) DIA. CAPACITOR			1.969-2.031 50.0-51.6
WITH 4.875 (123.8) LONG CAPACITOR	1.953-2.203 49.6-56.0	5.078-5.141 129.0-130.6	
WITH 1.813 (46.1) DIA. CAPACITOR			2.344-2.406 59.5-61.1



LOCATION NOT OPTIONAL - MUST USE ONLY AS SUCTION

SUCTION - COPPER
O.D. - .373-.377 (9.5-9.6)
WALL - .032-.038 (0.8-1.0)
END I.D. - .315-.318 (8.0-8.1)
x .865-.927 (22.0-23.5)
PLUG, -3

PROCESS - COPPER
O.D. - .373-.377 (9.5-9.6)
WALL - .032-.038 (0.8-1.0)
END I.D. - .315-.318 (8.0-8.1)
x .865-.927 (22.0-23.5)
PLUG, -3
LOCATION NOT OPTIONAL - MUST USE ONLY AS PROCESS



NOTE:
1. IF SPECIFIED ON BILL OF MATERIAL ASSEMBLE THESE PARTS AS SHOWN.
2. SEE SPEC. "A-B" & "A-C" FOR PROCESSING.
DIMENSIONS = INCHES OR INCHES (MILLIMETERS)

T.P.Co. — BRAZIL ONLY

Q.A. SYMBOLS

★	= CATEGORY I
▲	= CATEGORY II
■	= CATEGORY III
□	= CATEGORY IV

A	32135-1
B	HA624-11
C	34461
D	34457
E	34457

EAC	10FEB00E	DATE	
1241706-000	ADDED FROM BRAZIL	CHANGE	
REL #228933		DATE	
THIS DRAWING OR PRINT IS THE PROPERTY OF TECUMSEH PRODUCTS COMPANY AND IS NOT TO BE REPRODUCED OR TRANSMITTED IN ANY FORM OR BY ANY MEANS, ELECTRONIC OR MECHANICAL, INCLUDING PHOTOCOPYING, RECORDING, OR BY ANY INFORMATION STORAGE AND RETRIEVAL SYSTEM, WITHOUT THE WRITTEN CONSENT OF TECUMSEH PRODUCTS COMPANY. THIS DRAWING IS MADE AVAILABLE TO THE BUYER ON THE CONDITION THAT NEITHER IT NOR THE INFORMATION CONTAINED THEREIN SHALL BE DISCLOSED OR MADE AVAILABLE TO ANY OTHER PERSON OR ENTITY WITHOUT THE WRITTEN CONSENT OF TECUMSEH PRODUCTS COMPANY. THIS DRAWING IS NOT TO BE USED FOR ANY OTHER PURPOSES WITHOUT THE WRITTEN CONSENT OF TECUMSEH PRODUCTS COMPANY. THIS DRAWING IS NOT TO BE USED FOR ANY OTHER PURPOSES WITHOUT THE WRITTEN CONSENT OF TECUMSEH PRODUCTS COMPANY. THIS DRAWING IS NOT TO BE USED FOR ANY OTHER PURPOSES WITHOUT THE WRITTEN CONSENT OF TECUMSEH PRODUCTS COMPANY.			

DIS. CODE	NAME	SALES COMPRESSOR
DWN.	BRODERICK	12/13/93
MATERIAL		NOTED
PART NO.		DCAE943

THIS PRINT SUPERSEDES ALL PRINTS PRIOR TO