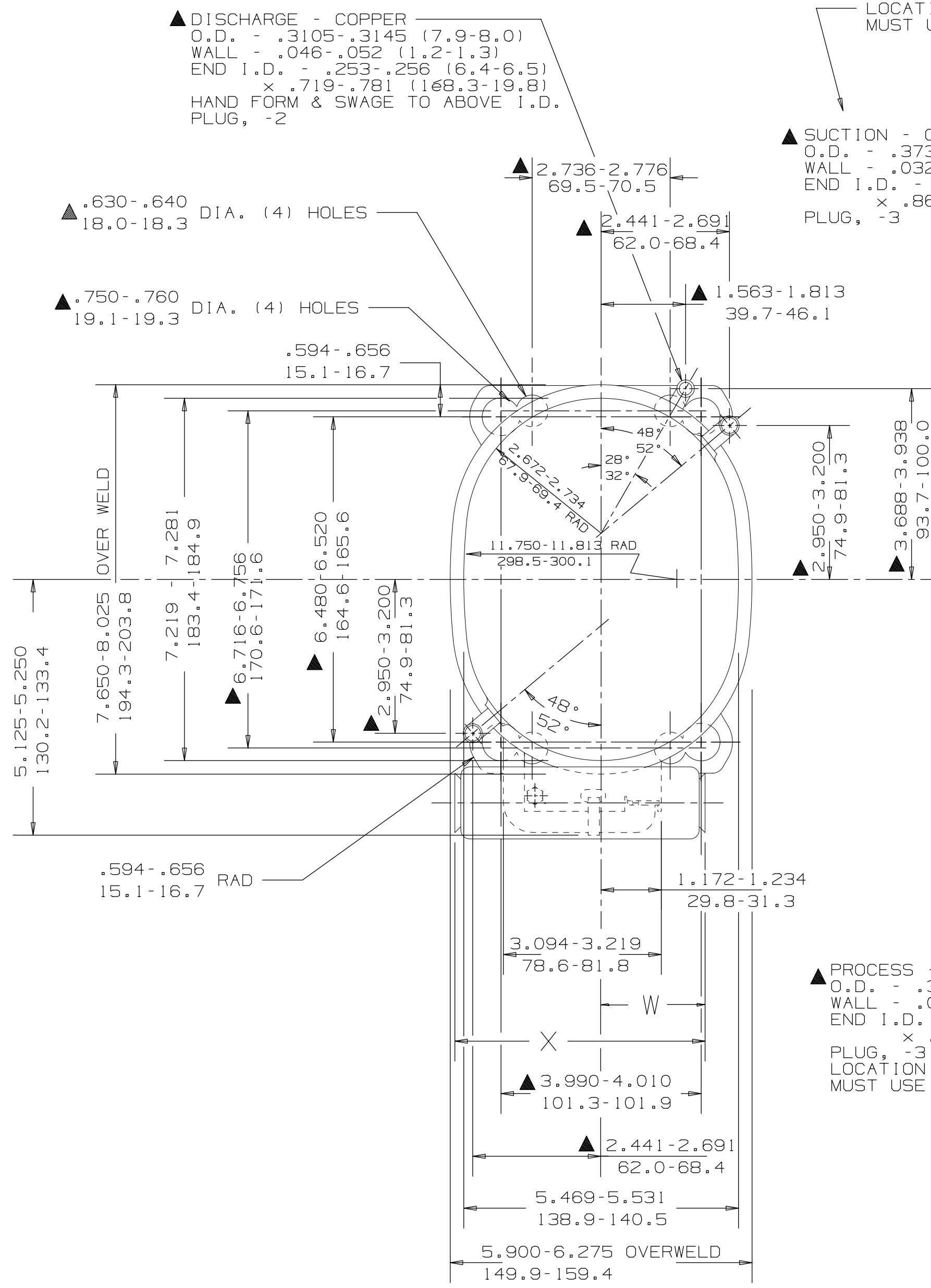
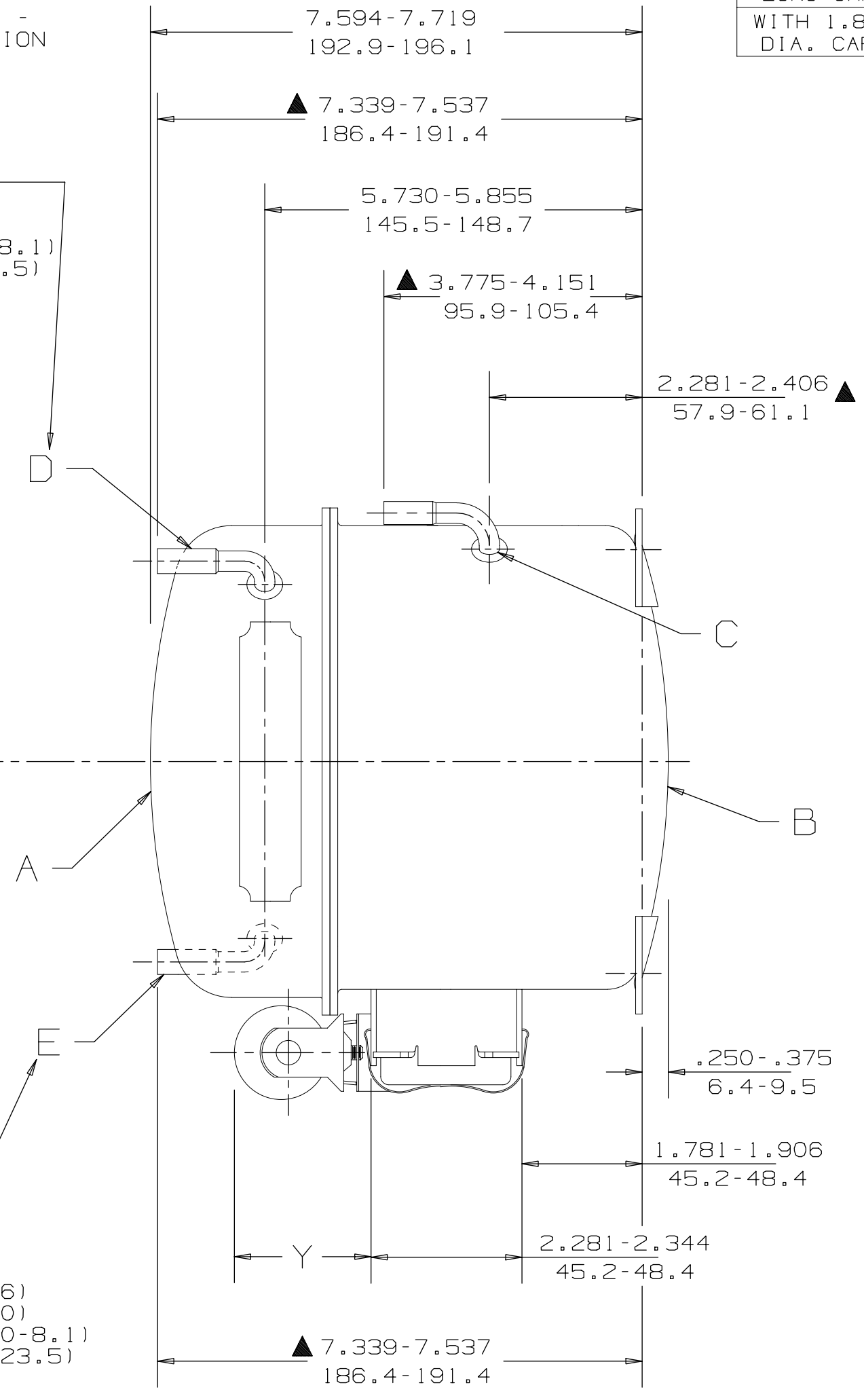


PART NO.
DCAE943

	DIM. W	DIM. X	DIM. Y
WITH 3.875 (98.4) LONG CAPACITOR	1.453-1.703 36.9-43.3	4.078-4.141 103.6-105.2	
WITH 1.438 (36.5) DIA. CAPACITOR			1.969-2.031 50.0-51.6
WITH 4.875 (123.8) LONG CAPACITOR	1.953-2.203 49.6-56.0	5.078-5.141 129.0-130.6	
WITH 1.813 (46.1) DIA. CAPACITOR			2.344-2.406 59.5-61.1



LOCATION NOT OPTIONAL -
MUST USE ONLY AS SUCTION



NOTE:
1. IF SPECIFIED ON BILL OF MATERIAL
ASSEMBLE THESE PARTS AS SHOWN.
2. SEE SPEC. "A-B" & "A-C" FOR PROCESSING.

DIMENSIONS = INCHES OR INCHES (MILLIMETERS)

T.P.Co. — BRAZIL ONLY

Q.A. SYMBOLS

★	= CATEGORY I
▲	= CATEGORY II
■	= CATEGORY III
□	= CATEGORY IV

A	32135-1
B	HA624-11
C	34461
D	34457
E	34457

LT	LC	CHANGE	DATE

THIS DRAWING OR PRINT IS THE PROPERTY OF TECUMSEH PRODUCTS COMPANY AND IS LOANED TO YOU FOR YOUR INFORMATION AND CONSTRUCTION ONLY. IT IS NOT TO BE REPRODUCED OR COPIED IN ANY MANNER WITHOUT THE WRITTEN CONSENT OF TECUMSEH PRODUCTS COMPANY. THE DRAWING OR PRINT IS TO BE USED ONLY FOR THE SPECIFIC PURPOSE AND SHALL BE RETURNED TO TECUMSEH PRODUCTS COMPANY IMMEDIATELY UPON COMPLETION OF THE WORK. ANY OTHER USE OR REPRODUCTION OF THIS DRAWING OR PRINT WITHOUT THE WRITTEN CONSENT OF TECUMSEH PRODUCTS COMPANY IS STRICTLY PROHIBITED. ANY VIOLATION OF THIS AGREEMENT SHALL BE CONSIDERED A BREACH OF CONTRACT AND SHALL BE SUBJECT TO LEGAL ACTION. ANY SUCH REQUEST IS MADE.

DIS. CODE	NAME	SALES COMPRESSOR
DWN.	DATE	12/13/93
TECUMSEH PRODUCTS CO.		TECUMSEH, MICHIGAN
MATERIAL	NOTED	
PART NO.		DCAE943

DCAE943