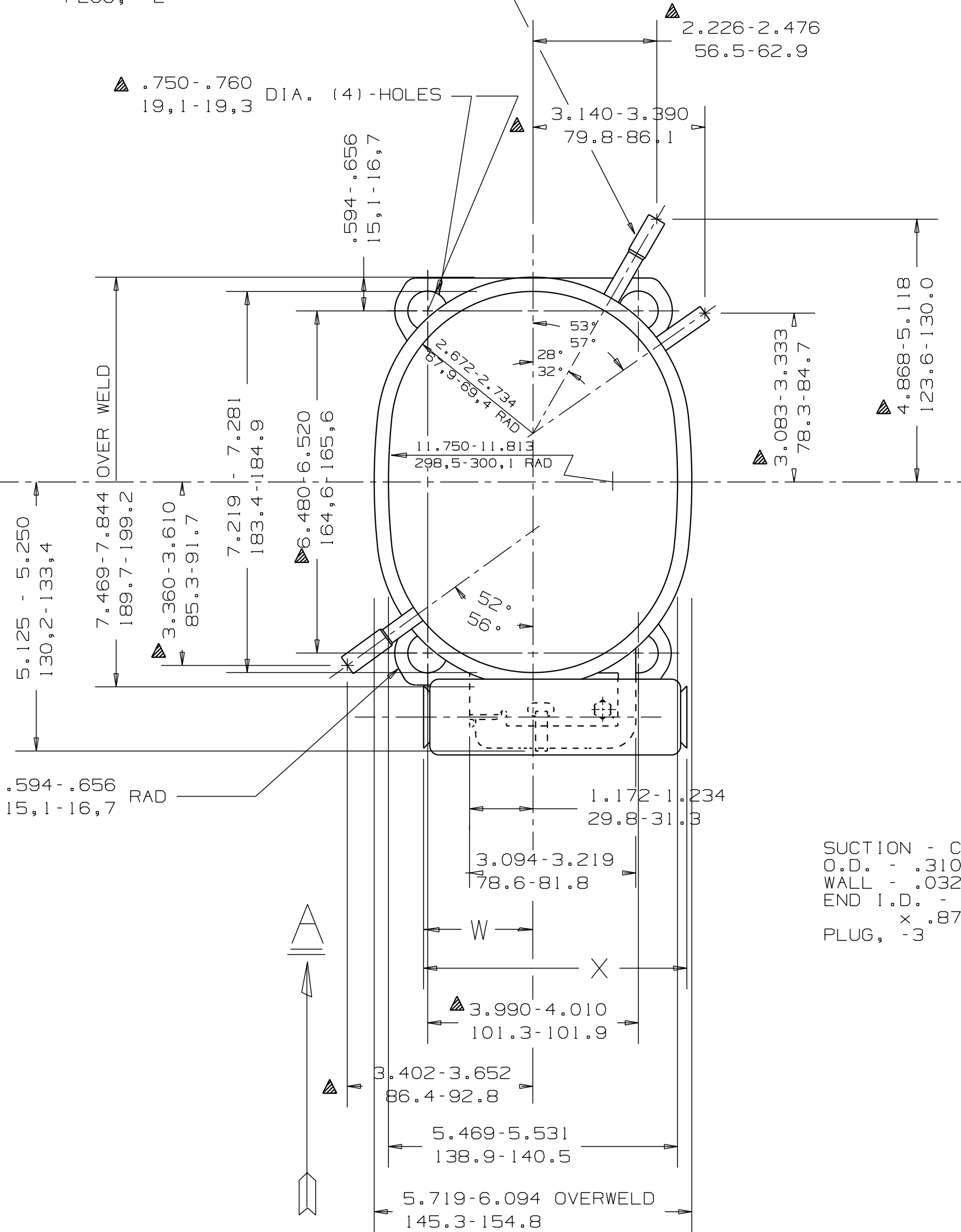
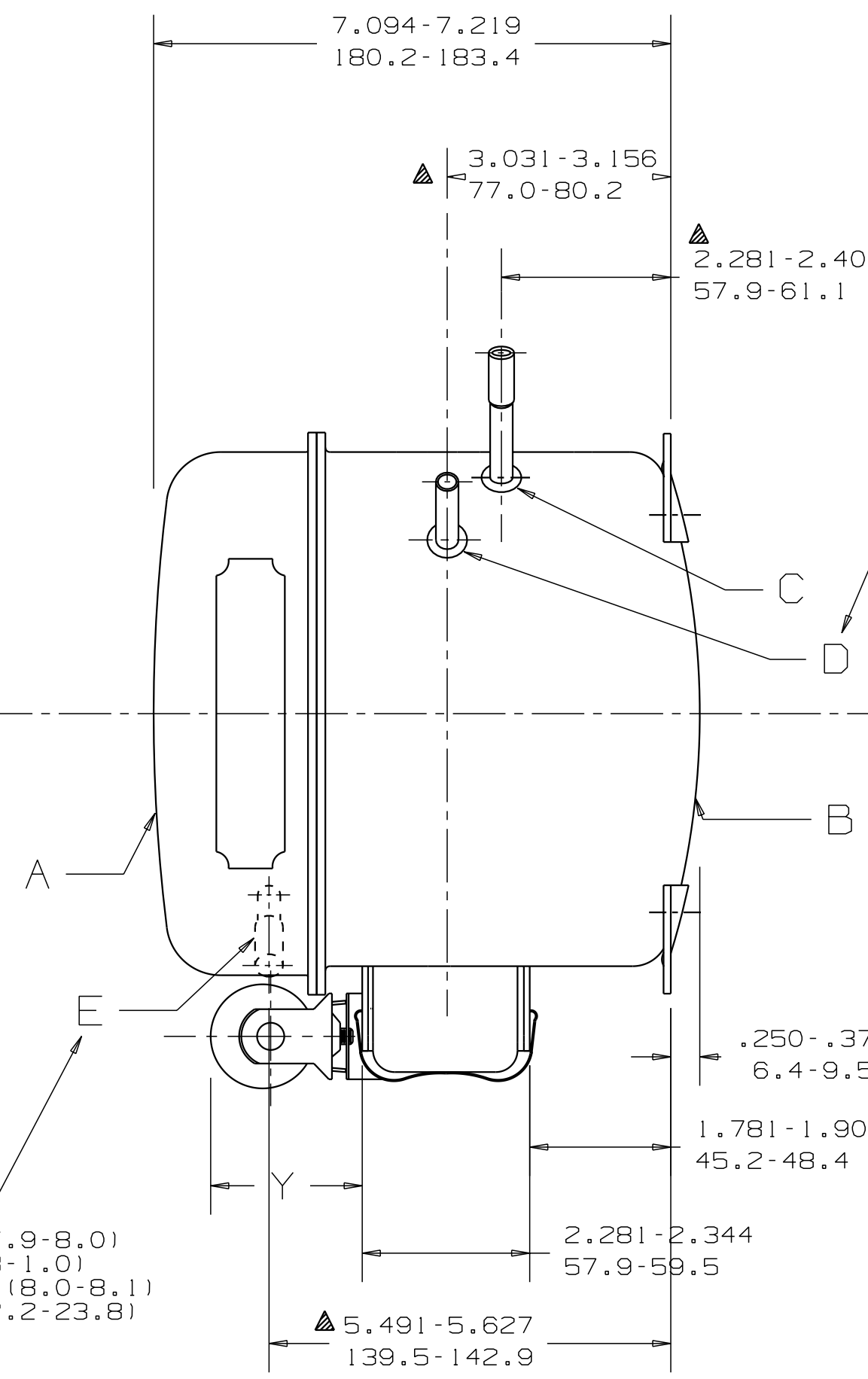


	DIM. W	DIM. X	DIM. Y
WITH 3.875 (98.4) LONG CAPACITOR	1.453-1.703 36.9-43.3	4.078-4.141 103.6-105.2	
WITH 1.438 (36.5) DIA. CAPACITOR			1.969-2.031 50.0-51.6
WITH 4.875 (123.8) LONG CAPACITOR	1.953-2.203 49.6-56.0	5.078-5.141 129.0-130.6	
WITH 1.813 (46.1) DIA. CAPACITOR			2.344-2.406 59.5-61.1

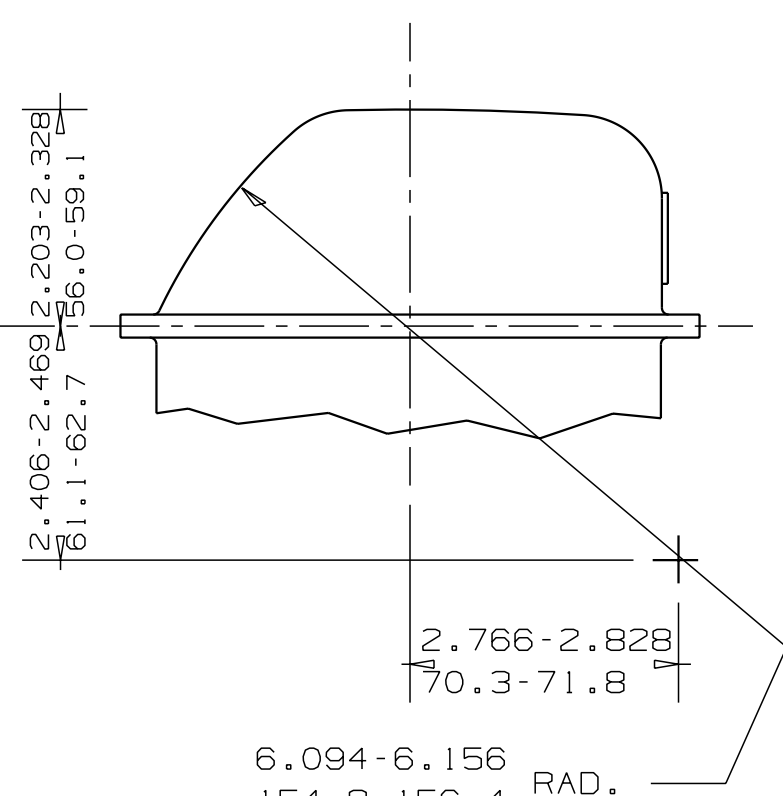
DISCHARGE - COPPER
 O.D. - .3105-.3145 (7.9-8.0)
 WALL - .046-.052 (1.2-1.3)
 END I.D. - .253-.256 (6.4-6.5)
 x .719-.781 (18.3-19.8)
 SWAGE TO ABOVE I.D.
 AFTER ASS'Y.
 PLUG, -2



SUCTION - COPPER
 O.D. - .3105-.3145 (7.9-8.0)
 WALL - .032-.038 (0.8-1.0)
 END I.D. - .315-.318 (8.0-8.1)
 x .875-.938 (22.2-23.8)
 PLUG, -3



PROCESS - COPPER
 O.D. - .3105-.3145 (7.9-8.0)
 I.D. - .254-.258 (6.5-6.6)
 PLUG, -2



VIEW IN DIRECTION A

NOTE :

1. IF SPECIFIED ON BILL OF MATERIAL ASSEMBLE THESE PARTS AS SHOWN.
2. SEE SPEC. "A-B" & "A-C" FOR PROCESSING.

DIMENSIONS = INCHES OR INCHES (MILLIMETERS)
 MILLIMETERS

O.A. SYMBOLS

★	CATEGORY I
▲	CATEGORY II
■	CATEGORY III
□	CATEGORY IV

A	32085-1
B	HA531-18
C	BR34529-2
D	58073-5
E	34134

EC4192	T.M.G								
WAS 34529	29MAR07								
HA531-31	HB								
#221126	1/22/91								
REDAWN									
& REVISED									
AS PER									
EXDCAE2041	HB								
#221126	1/22/91								
REL									
-035									
LT	CHANGE	DATE							

DIS. CODE		NAME	
		SALES COMPRESSOR	
SCALE		THIS PRINT SUPERSEDES ALL PRINTS PRIOR TO	
1" = 2"			
MATERIAL		PART NO.	
NOTED		DCAE900	

TECUMSEH PRODUCTS CO.
 TECUMSEH, MICHIGAN