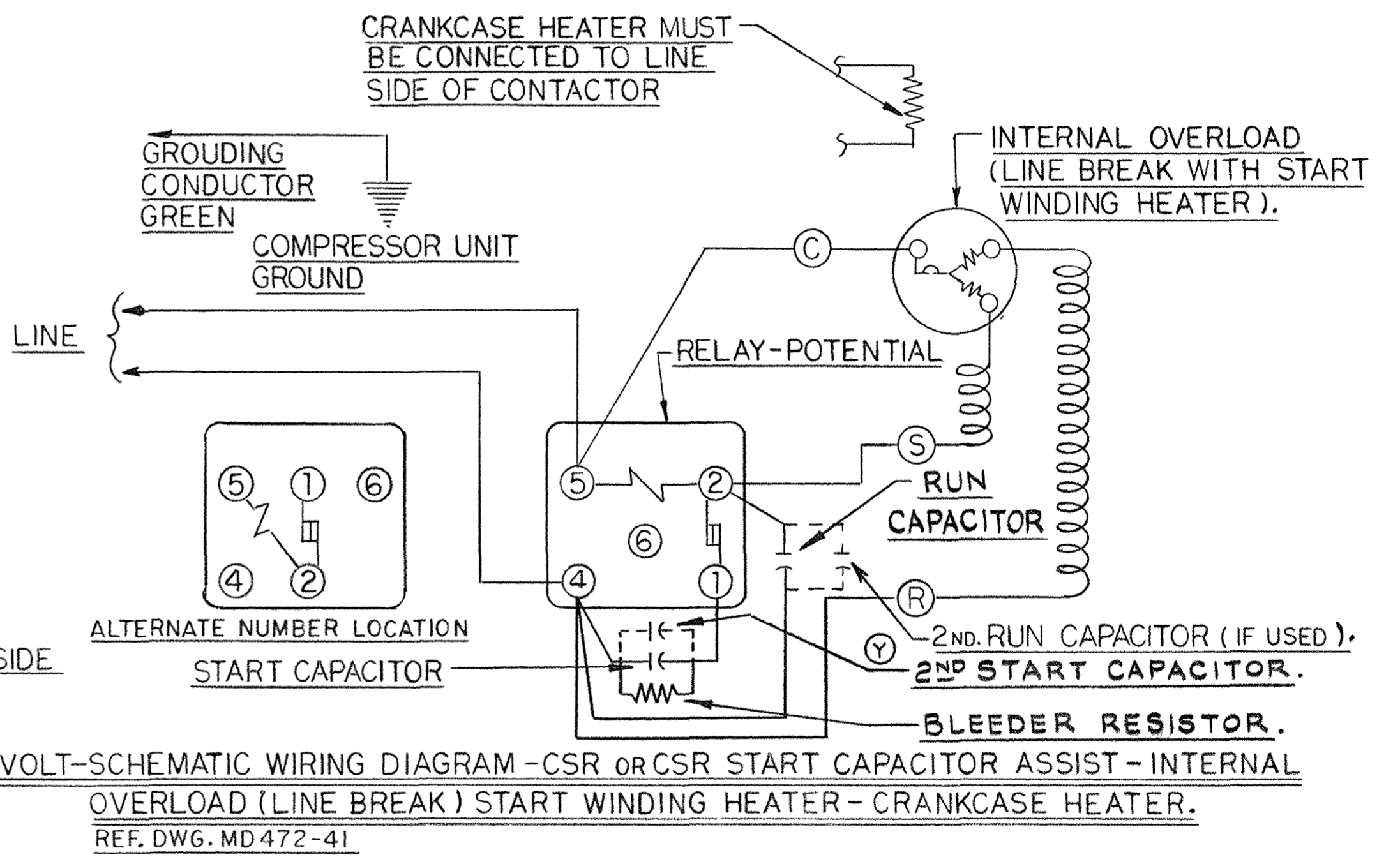
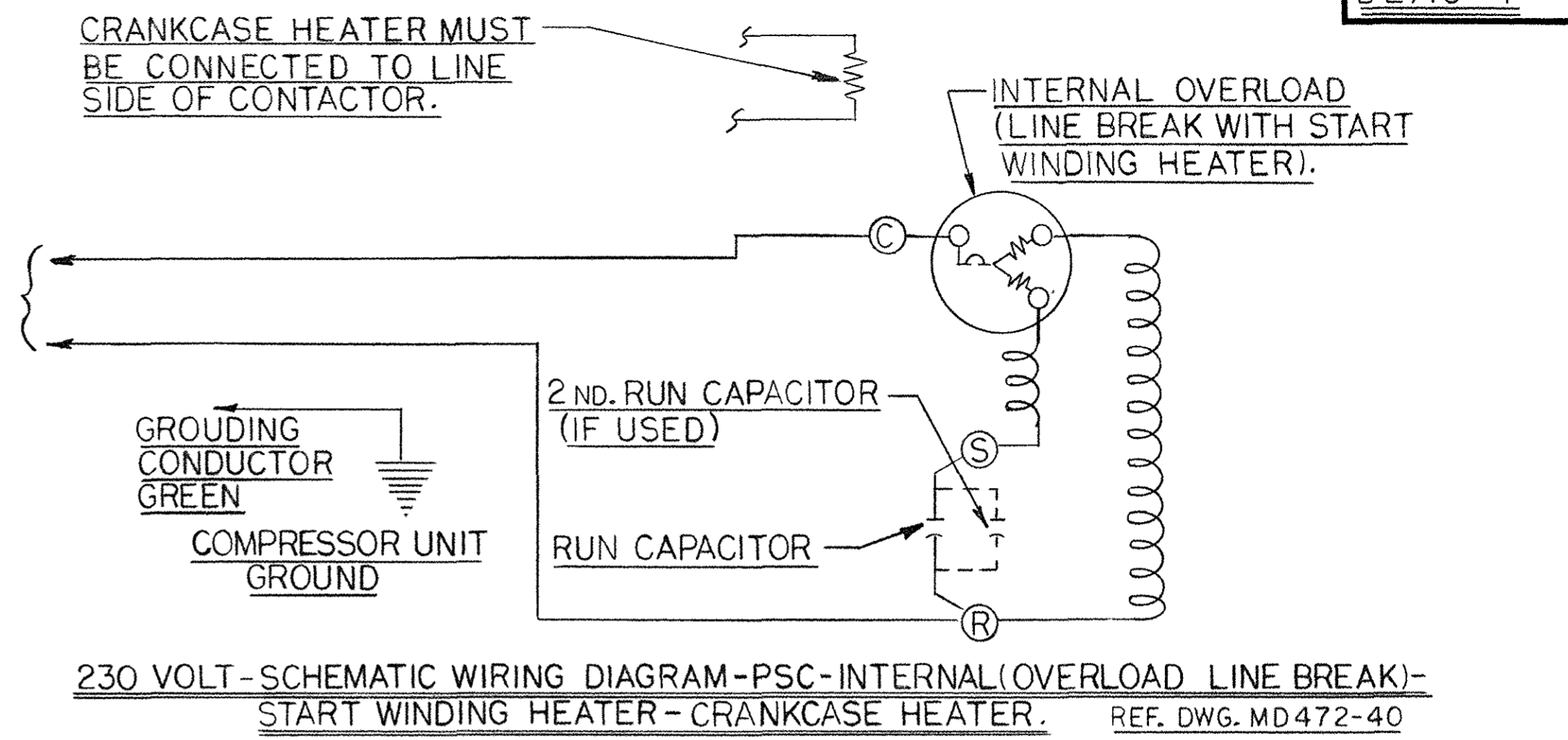
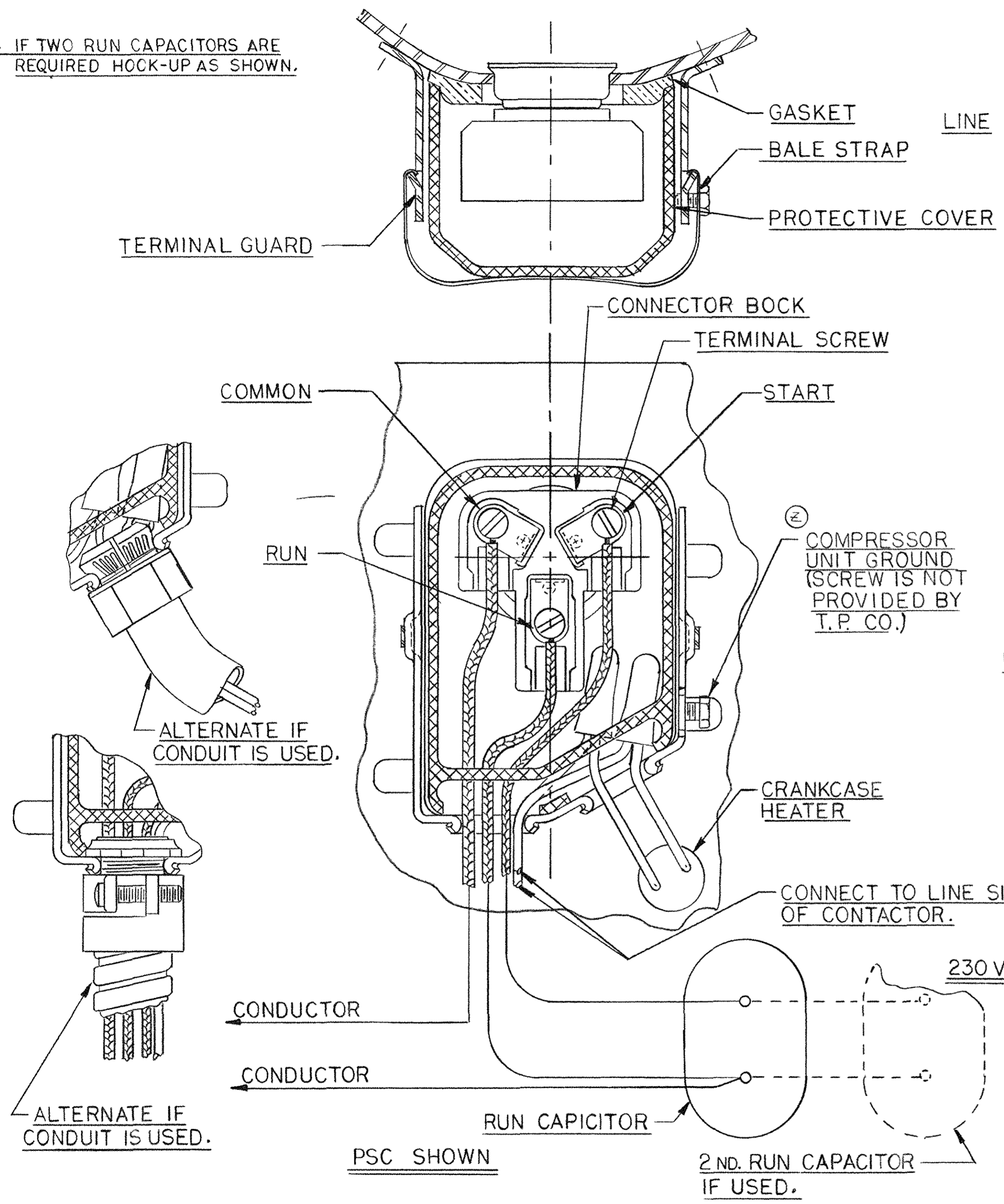


**NOTE:**

- 1. ASSEMBLE PARTS AS SHOWN IF SPECIFIED ON B/M.
- 3. IF TWO RUN CAPACITORS ARE REQUIRED HOOK-UP AS SHOWN.



AG-230 V.-PSC-INTERNAL OVERLOAD (LINE BREAK)-START WINDING HEATER - CRANKCASE HEATER

AG-230 V.-CSR OR CSR START CAPACITOR ASSIST-INTERNAL OVERLOAD (LINE BREAK)-START WINDING HEATER - CRANKCASE HEATER.

**WARNING-WIRING DIAGRAM MUST BE FOLLOWED AS SHOWN. ANY MISWIRING CAN CAUSE SERIOUS ELECTRICAL HAZARD AND POTENTIAL DAMAGE OR RUPTURE OF COMPONENT ELECTRICAL PARTS.**

W/FM/T 4/21/97		T. Cook 3-10-88		DATE	DIS. CODE 34822	NAME ELECTRICAL HOOK-UP	
235647 ADDED NOTE	#217672	2ND START CAP. ADDED	CHANGES REMOVED	LT/LC	DO NOT SCALE THIS DRAWING ALL FERROUS MATERIALS MUST BE REMOVED FROM THE COMPRESSOR UNIT OR AT COMPRESSOR ASSEMBLY.	THIS PRINT SUPERSEDES ALL PRINTS PRIOR TO	
5	2	Y	X		TECUMSEH PRODUCTS CO. TECUMSEH, MICHIGAN		PART NO. DEAG-1