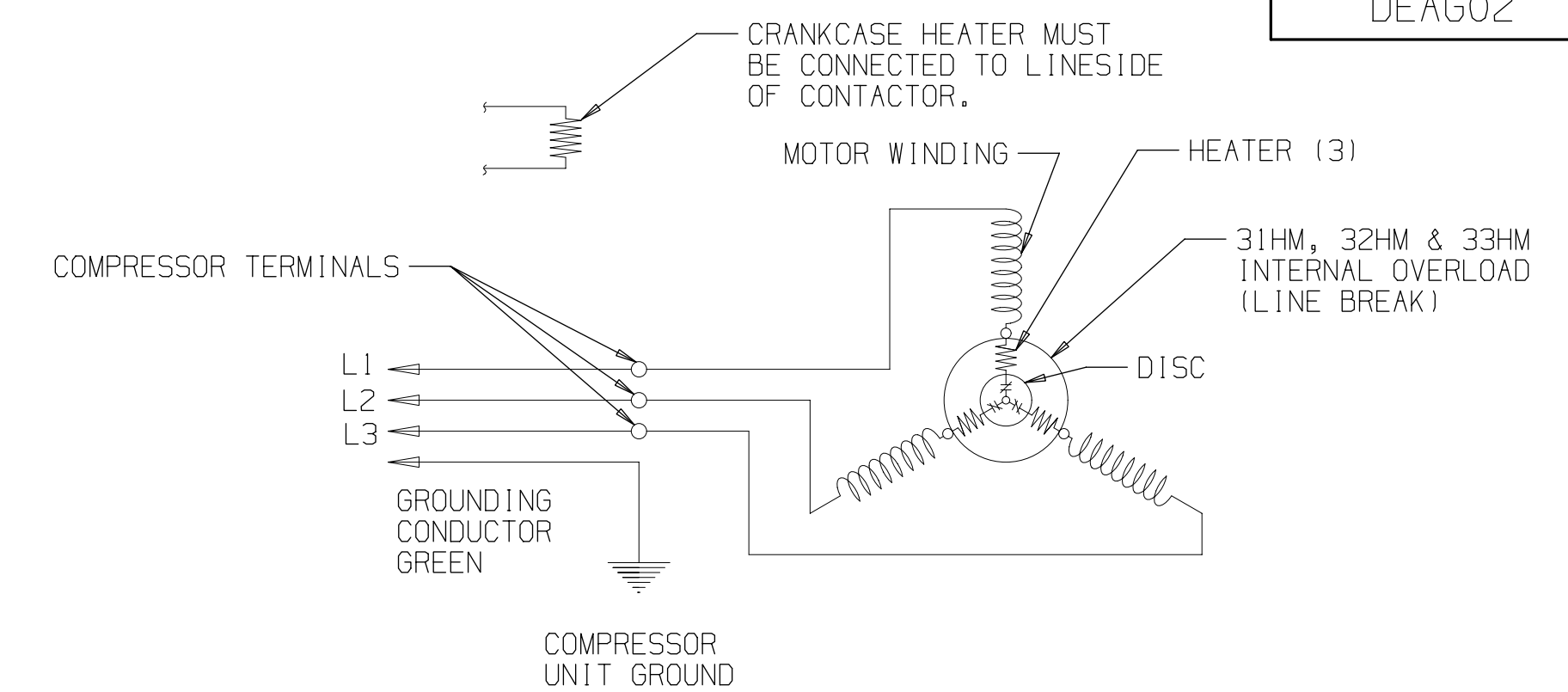
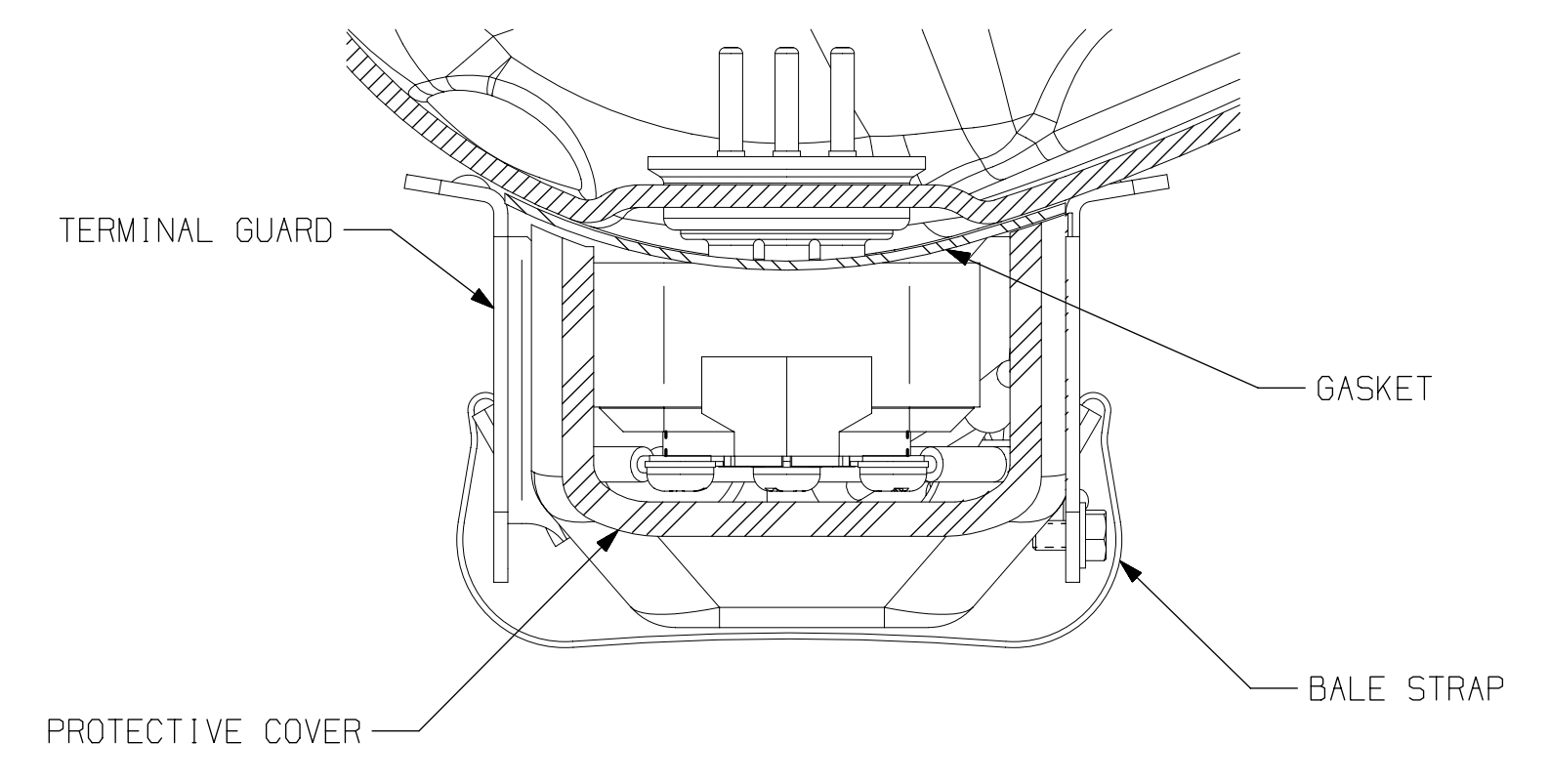
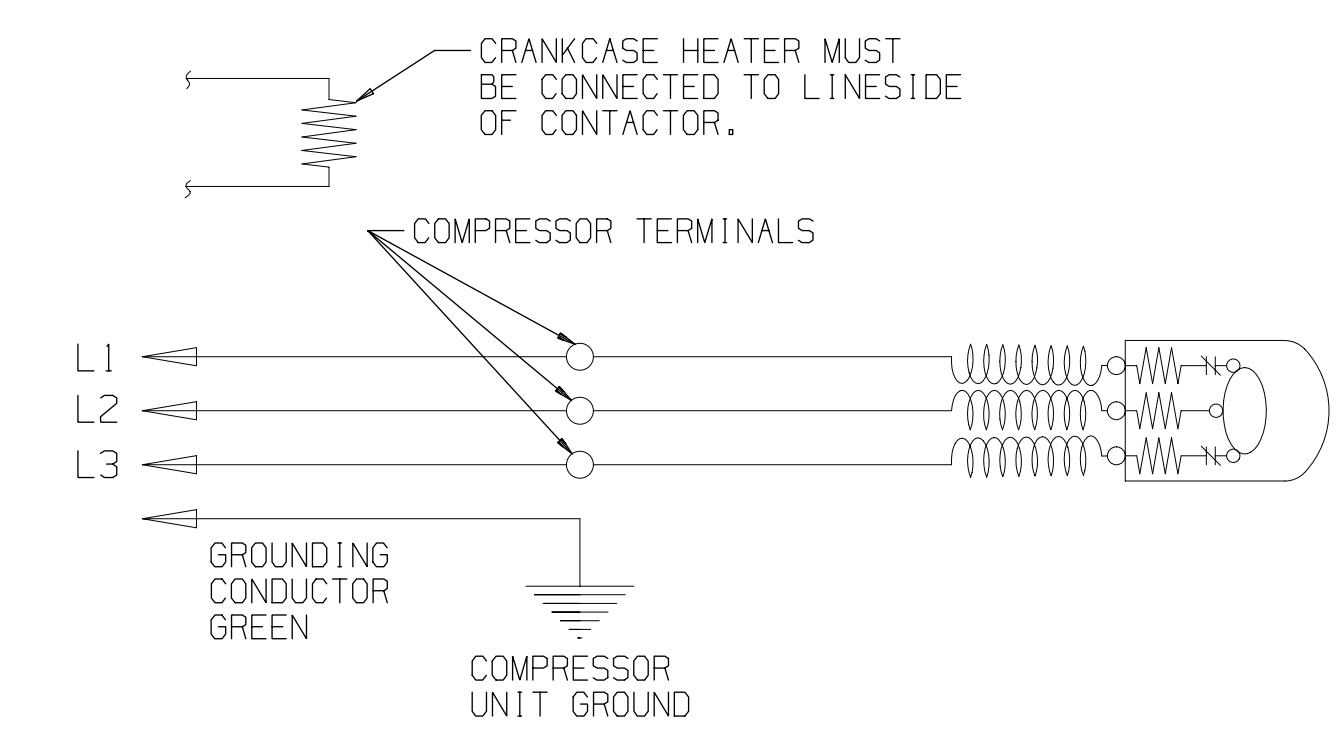
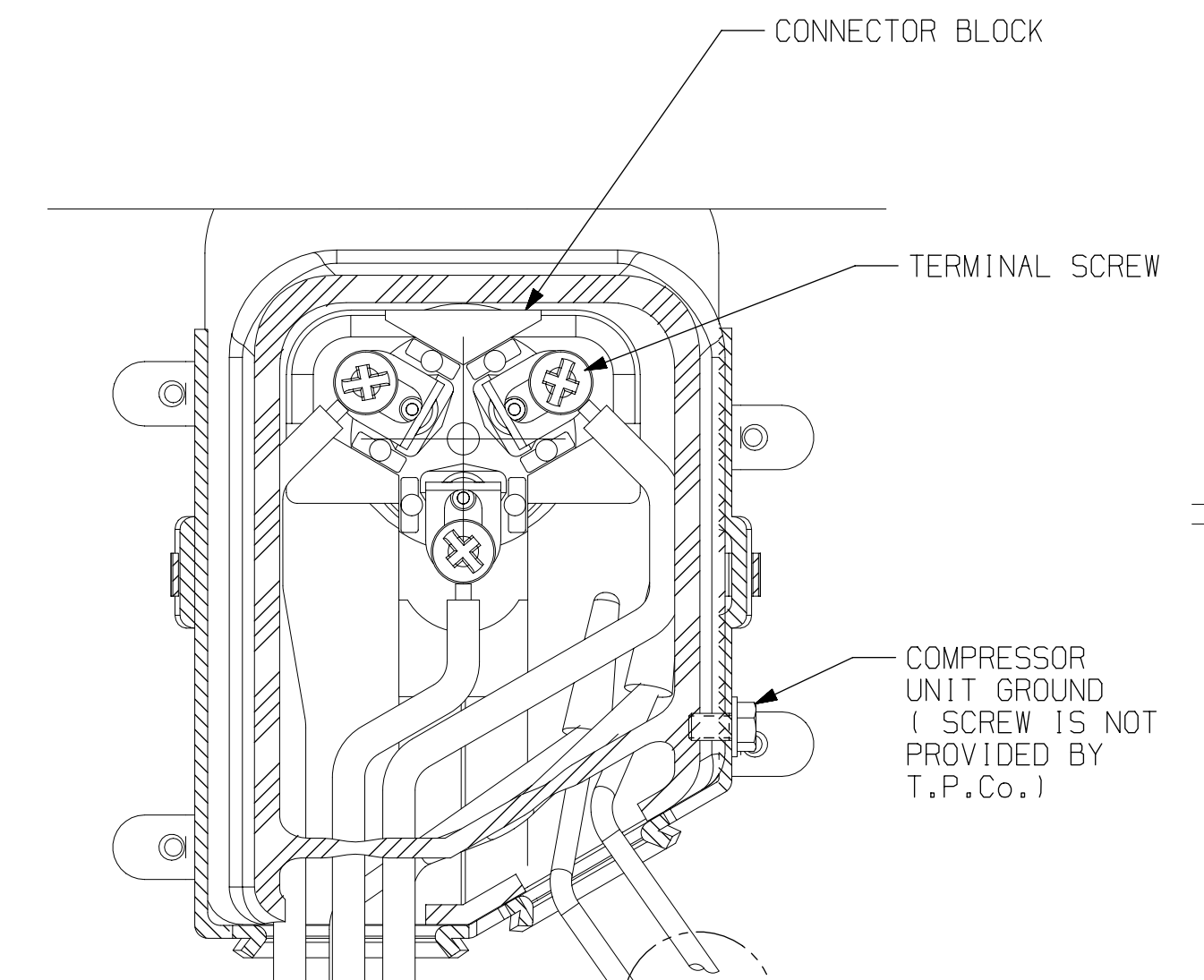


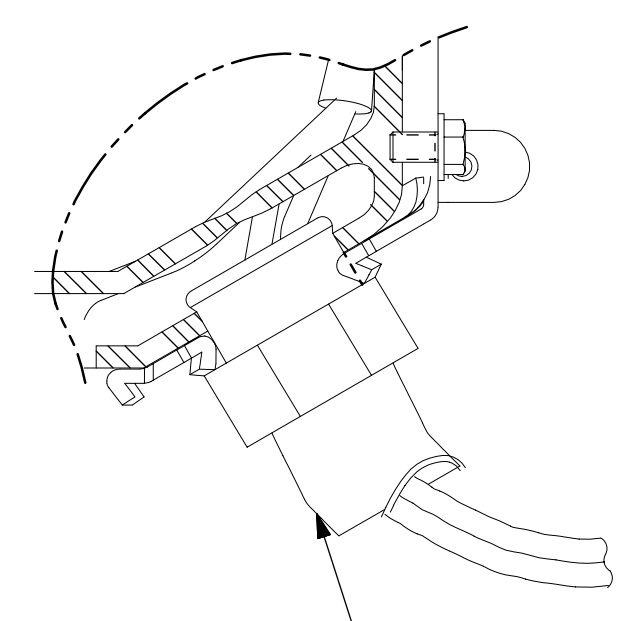
DRAWING NO.  
DEAG02



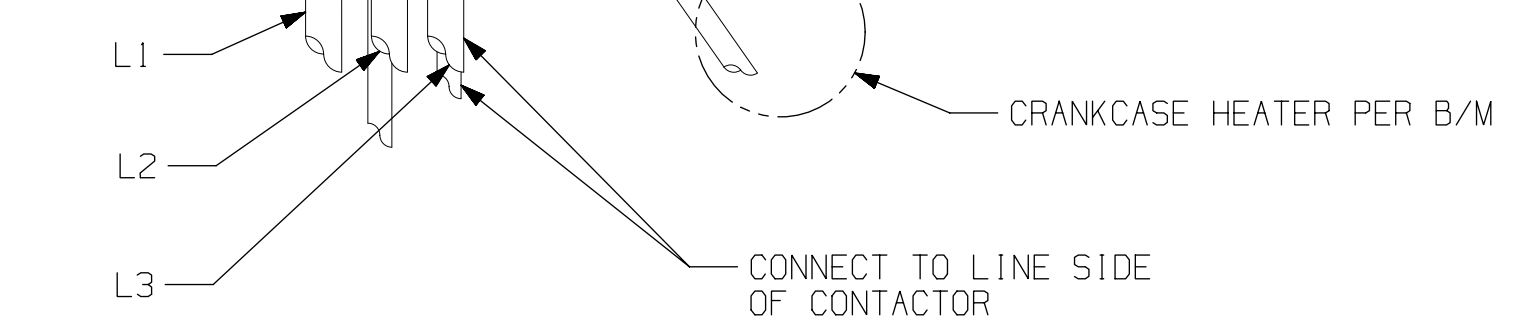
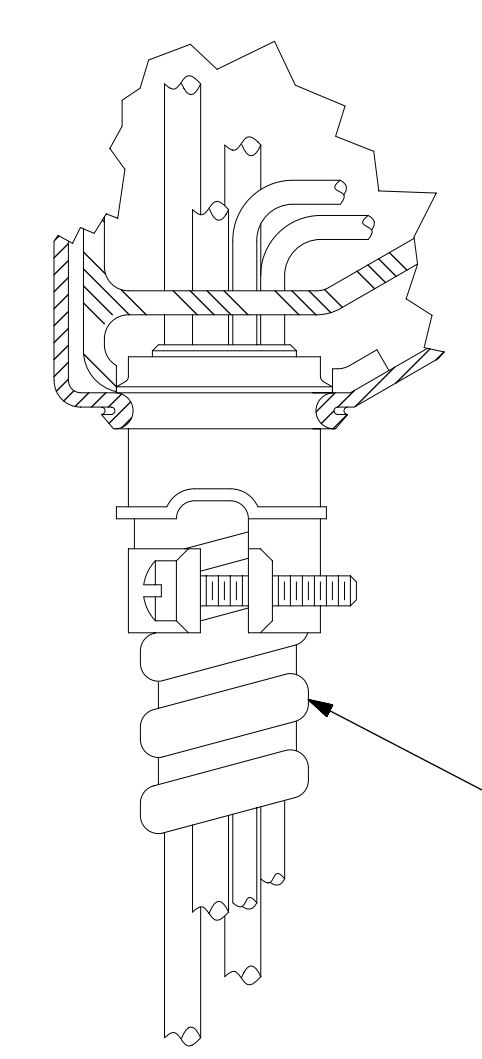
SCHEMATIC WIRING DIAGRAM - 3 PHASE INTERNAL OVERLOAD (LINE BREAK) AND CRANKCASE HEATER. REF DWG MD472-43



SCHEMATIC WIRING DIAGRAM - 3 PHASE INTERNAL OVERLOAD (LINE BREAK) AND CRANKCASE HEATER.



ALTERNATE IF CONDUIT IS USED



ALTERNATE IF CONDUIT IS USED

WARNING-WIRING DIAGRAM MUST BE FOLLOWED AS SHOWN. ANY MISWIRING CAN CAUSE SERIOUS ELECTRICAL HAZARD AND POTENTIAL DAMAGE OR RUPTURE OF COMPONENT ELECTRICAL PARTS.

AG - 3 PHASE - INTERNAL OVERLOAD (LINE BREAK) - CRANKCASE HEATER.

ENGLISH	
Q.A. SYMBOLS	
☆ = CATEGORY I	△ = CATEGORY II
□ = CATEGORY III	= CATEGORY IV

BANNER	#240574-089 REDRAWN ON UNIGRAPHICS AND UPDATED WITH MD472-43	DATE	DATE	DIS. CODE	NAME ELECTRICAL HOOK-UP		THIS PRINT SUPERSEDES ALL PRINTS PRIOR TO	
	L1	L2	L3	DWN. EAC 17MAR05	CK C	DRAWING NO. DEAG02		
	TECUMSEH PRODUCTS CO. TECUMSEH, MICHIGAN			MATERIAL N/A	DRAWING No. MDB88-08			REVISION LEVEL: REL
	DO NOT SCALE THIS DRAWING. ALL DIMENSIONS ARE TO BE TAKEN FROM THE DRAWING. THIS DRAWING IS THE PROPERTY OF TECUMSEH PRODUCTS CO. AND IS NOT TO BE REPRODUCED OR TRANSMITTED IN ANY FORM OR BY ANY MEANS, ELECTRONIC OR MECHANICAL, WITHOUT THE EXPRESS WRITTEN PERMISSION OF TECUMSEH PRODUCTS CO. ANY INFORMATION CONTAINED HEREIN IS UNCLASSIFIED EXCEPT WHERE SHOWN OTHERWISE. THIS DRAWING IS THE PROPERTY OF TECUMSEH PRODUCTS CO. AND IS NOT TO BE REPRODUCED OR TRANSMITTED IN ANY FORM OR BY ANY MEANS, ELECTRONIC OR MECHANICAL, WITHOUT THE EXPRESS WRITTEN PERMISSION OF TECUMSEH PRODUCTS CO.			DRAWING No. MDB88-08				REVISION LEVEL: REL