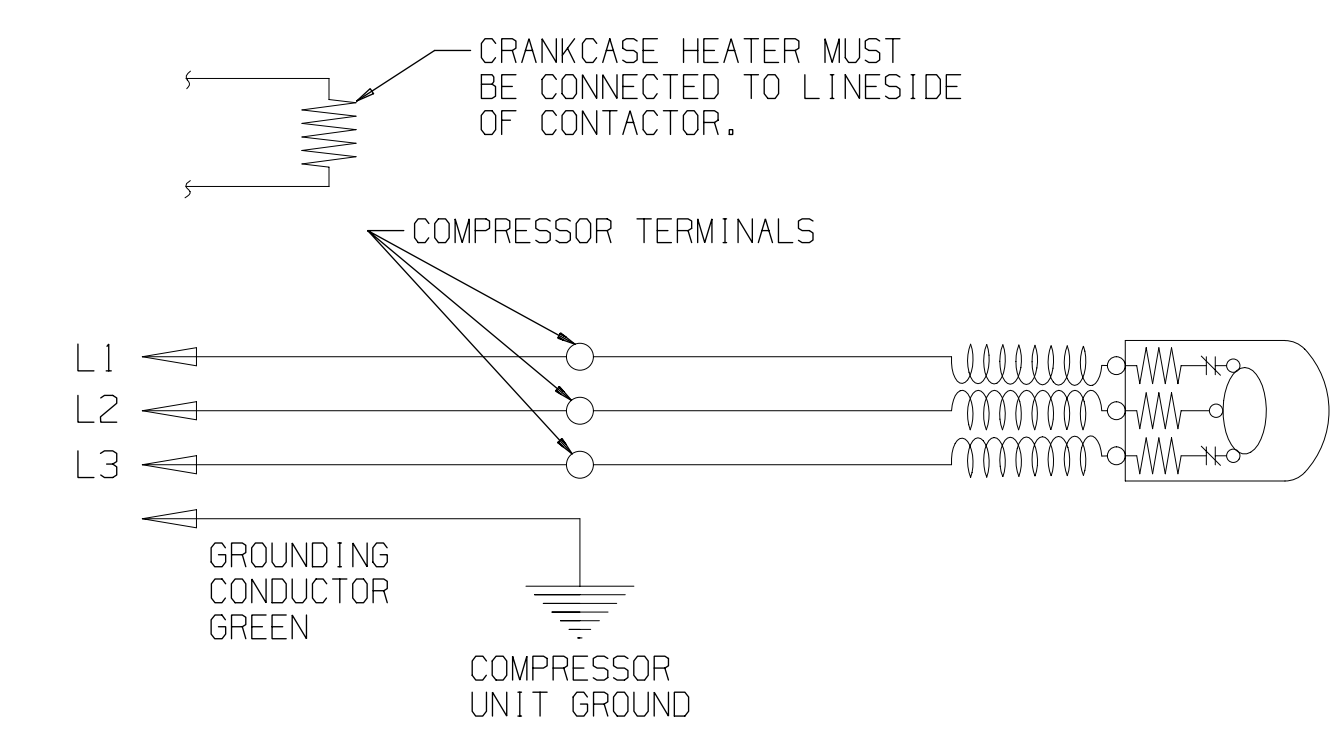
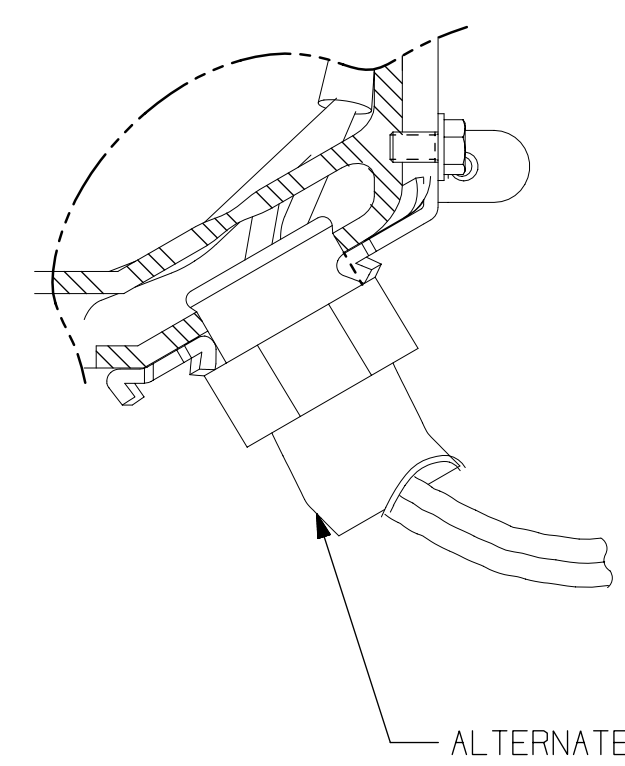
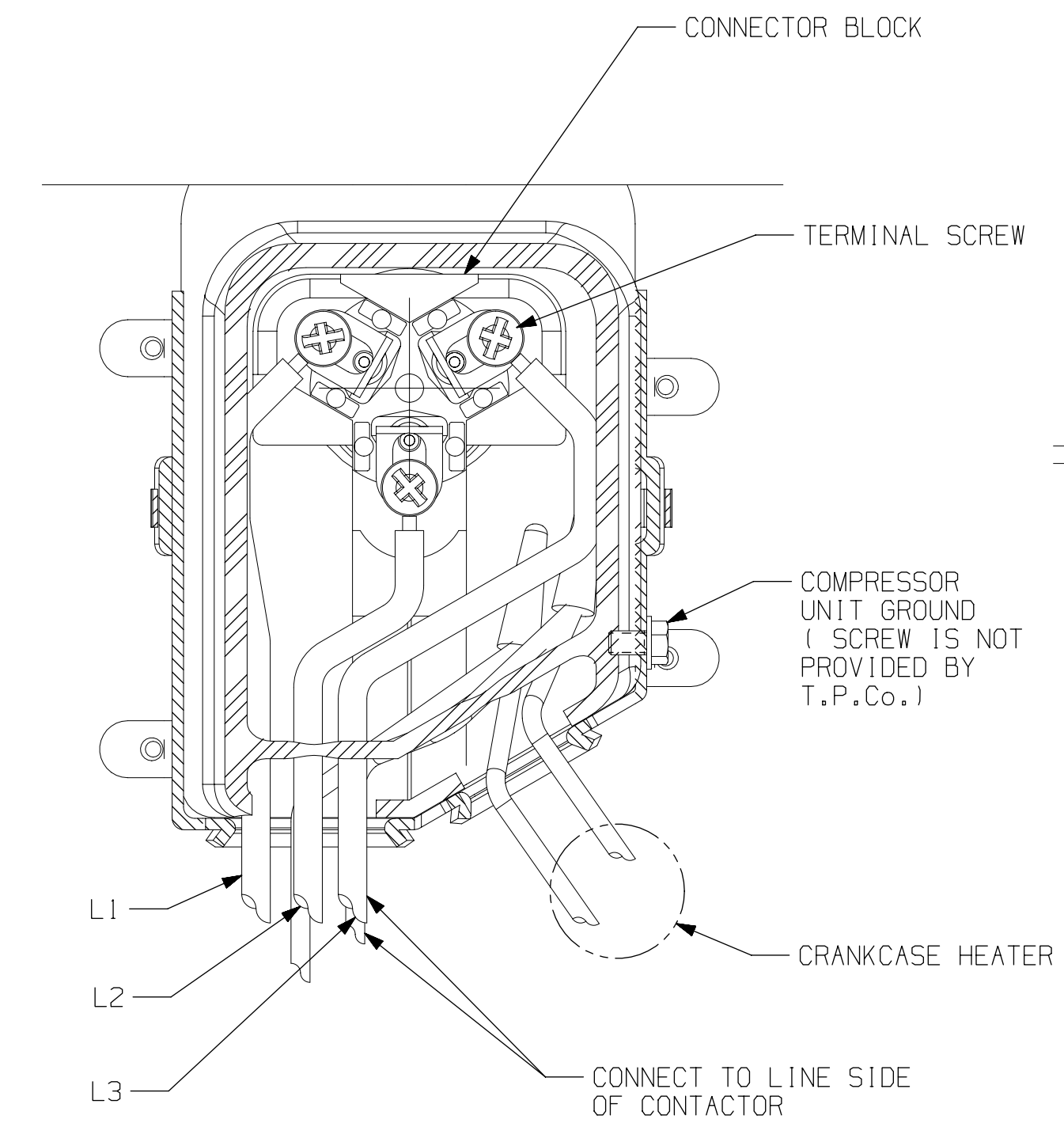
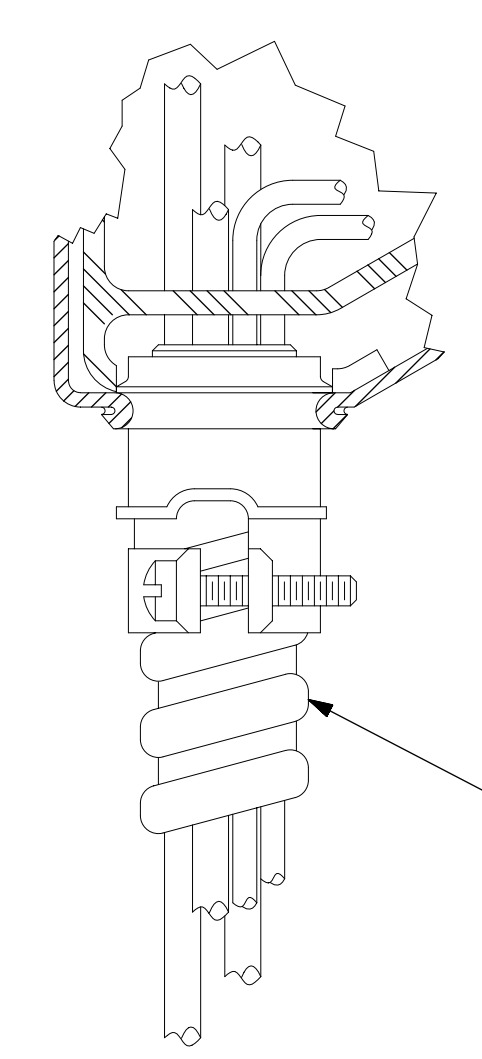


SCHEMATIC WIRING DIAGRAM - 3 PHASE INTERNAL OVERLOAD (LINE BREAK) AND CRANKCASE HEATER. REF DWG MD472-43



SCHEMATIC WIRING DIAGRAM - 3 PHASE INTERNAL OVERLOAD (LINE BREAK) AND CRANKCASE HEATER.



WARNING-WIRING DIAGRAM MUST BE FOLLOWED AS SHOWN. ANY MISWIRING CAN CAUSE SERIOUS ELECTRICAL HAZARD AND POTENTIAL DAMAGE OR RUPTURE OF COMPONENT ELECTRICAL PARTS.

AG - 3 PHASE - INTERNAL OVERLOAD (LINE BREAK) - CRANKCASE HEATER.

ENGLISH

Q.A. SYMBOLS

- ☆ = CATEGORY I
- △ = CATEGORY II
- = CATEGORY III
- = CATEGORY IV

BANNER	#240574-089 REDRAWN ON UNIGRAPHICS AND UPDATED WITH MD472-43	DATE	DATE	DIS. CODE	NAME	ELECTRICAL HOOK-UP	THIS PRINT SUPERSEDES ALL PRINTS PRIOR TO	
	CHANGE	DATE	DATE	DWN.	EAC	17MAR05	DRAWING NO.	
	THIS DRAWING OR PRINT IS THE PROPERTY OF TECUMSEH PRODUCTS CO. AND SHALL REMAIN THE PROPERTY OF TECUMSEH PRODUCTS CO. IF IT IS REPRODUCED OR USED IN ANY MANNER WITHOUT THE EXPRESS AND WRITTEN PERMISSION OF TECUMSEH PRODUCTS CO. ANY SUCH INFORMATION OBTAINED FROM THIS DRAWING OR PRINT IS TO BE KEPT CONFIDENTIAL AND NOT TO BE DISCLOSED TO ANY OTHER PARTY WITHOUT THE EXPRESS AND WRITTEN PERMISSION OF TECUMSEH PRODUCTS CO. ANY SUCH INFORMATION OBTAINED FROM THIS DRAWING OR PRINT IS TO BE KEPT CONFIDENTIAL AND NOT TO BE DISCLOSED TO ANY OTHER PARTY WITHOUT THE EXPRESS AND WRITTEN PERMISSION OF TECUMSEH PRODUCTS CO. ANY SUCH INFORMATION OBTAINED FROM THIS DRAWING OR PRINT IS TO BE KEPT CONFIDENTIAL AND NOT TO BE DISCLOSED TO ANY OTHER PARTY WITHOUT THE EXPRESS AND WRITTEN PERMISSION OF TECUMSEH PRODUCTS CO.	MATERIAL	N/A	DRAWING No.	MD888-08	REVISION LEVEL:	REL	DEAG02
	DO NOT SCALE THIS DRAWING. ALL DIMENSIONS SHALL BE TAKEN FROM THE DRAWING. THIS DRAWING IS THE PROPERTY OF TECUMSEH PRODUCTS CO. AND SHALL REMAIN THE PROPERTY OF TECUMSEH PRODUCTS CO. IF IT IS REPRODUCED OR USED IN ANY MANNER WITHOUT THE EXPRESS AND WRITTEN PERMISSION OF TECUMSEH PRODUCTS CO. ANY SUCH INFORMATION OBTAINED FROM THIS DRAWING OR PRINT IS TO BE KEPT CONFIDENTIAL AND NOT TO BE DISCLOSED TO ANY OTHER PARTY WITHOUT THE EXPRESS AND WRITTEN PERMISSION OF TECUMSEH PRODUCTS CO.	TECUMSEH PRODUCTS CO. TECUMSEH, MICHIGAN						