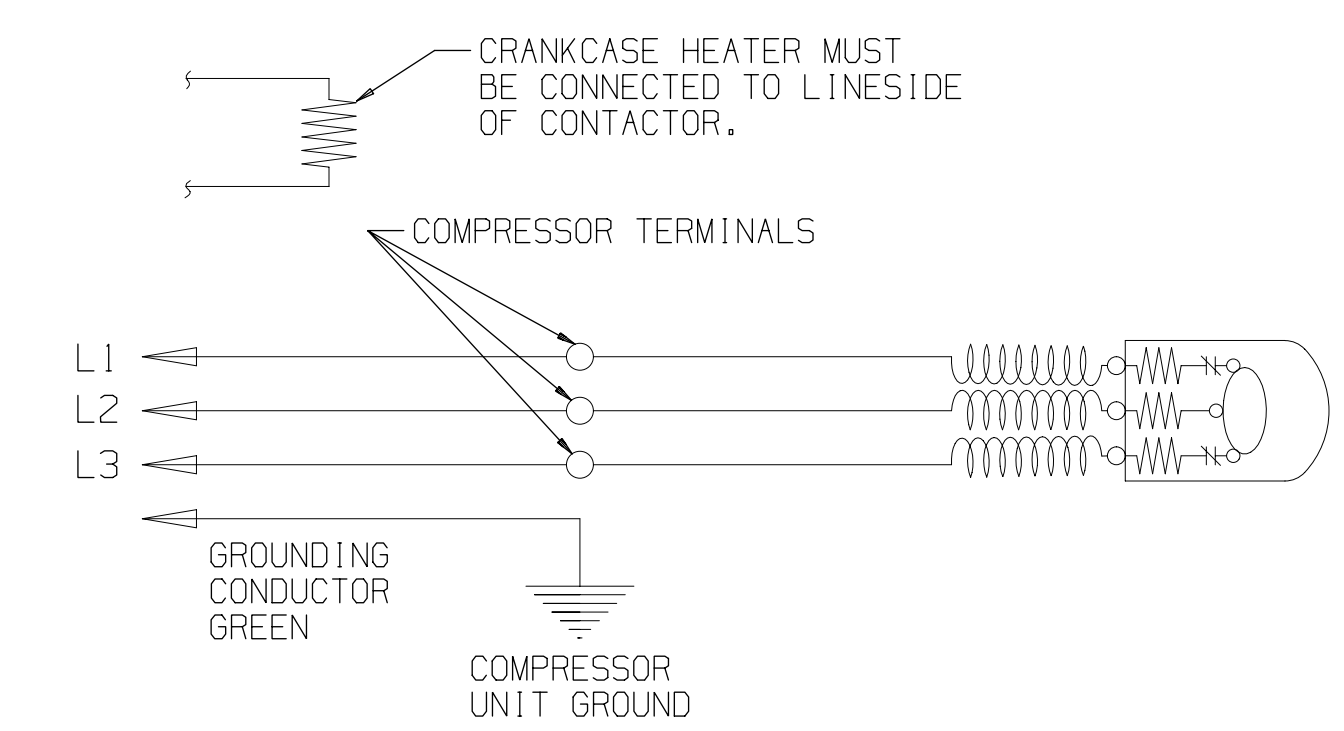
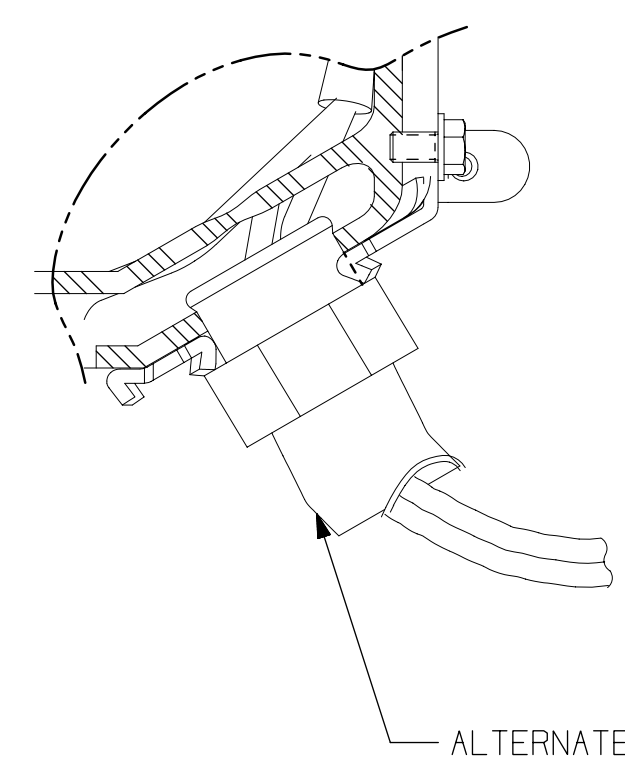
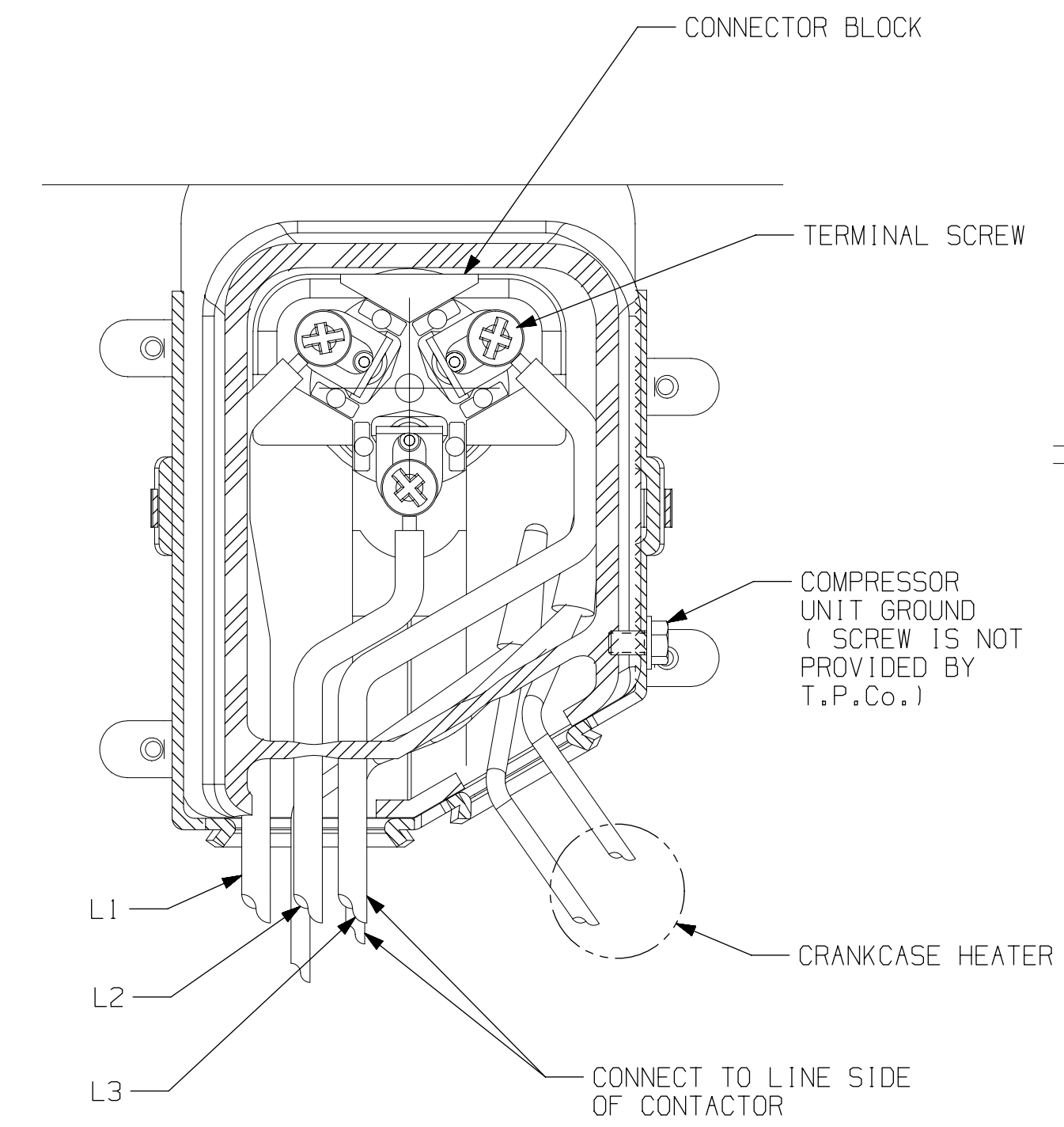
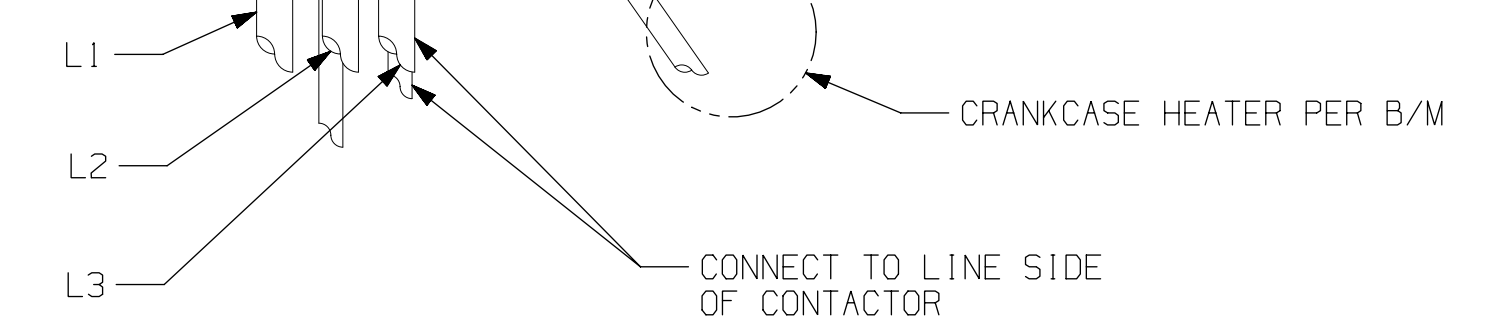
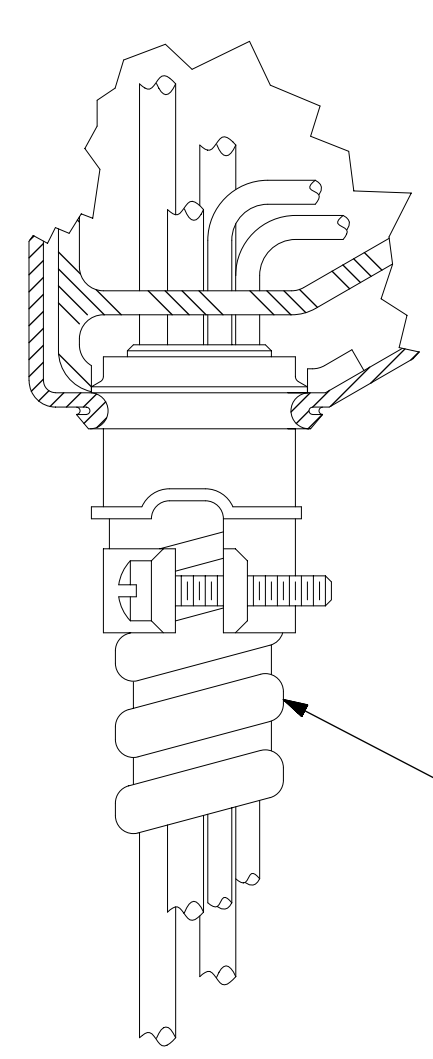


SCHEMATIC WIRING DIAGRAM - 3 PHASE INTERNAL OVERLOAD (LINE BREAK) AND CRANKCASE HEATER. REF DWG MD472-43



SCHEMATIC WIRING DIAGRAM - 3 PHASE INTERNAL OVERLOAD (LINE BREAK) AND CRANKCASE HEATER.



WARNING-WIRING DIAGRAM MUST BE FOLLOWED AS SHOWN. ANY MISWIRING CAN CAUSE SERIOUS ELECTRICAL HAZARD AND POTENTIAL DAMAGE OR RUPTURE OF COMPONENT ELECTRICAL PARTS.

AG - 3 PHASE - INTERNAL OVERLOAD (LINE BREAK) - CRANKCASE HEATER.

ENGLISH

Q.A. SYMBOLS

- ☆ = CATEGORY I
- △ = CATEGORY II
- = CATEGORY III
- = CATEGORY IV

BANNER	#240574-089 REDRAWN ON UNIGRAPHICS AND UPDATED WITH MD472-43	DATE	DATE	DIS. CODE	NAME	ELECTRICAL HOOK-UP	THIS PRINT SUPERSEDES ALL PRINTS PRIOR TO
	CHANGE	DATE	DATE	DWN.	CK		
	L1	L1	L1	EAC	C		
	T	T	T	17MAR05			
<p>THIS DRAWING OR PRINT IS THE PROPERTY OF TECUMSEH PRODUCTS CO. IT IS TO BE USED ONLY FOR THE PROJECT AND LOCATION SPECIFICALLY IDENTIFIED ON THE DRAWING. IT IS NOT TO BE REPRODUCED, COPIED, OR TRANSMITTED IN ANY FORM OR BY ANY MEANS, WITHOUT THE EXPRESS WRITTEN PERMISSION OF TECUMSEH PRODUCTS CO. ANY UNAUTHORIZED USE OF THIS DRAWING OR PRINT IS PROHIBITED AND WILL BE PROSECUTED TO THE FULL EXTENT OF THE LAW. ANY INFORMATION OBTAINED FROM THIS DRAWING OR PRINT IS TO BE KEPT CONFIDENTIAL AND NOT TO BE DISCLOSED TO ANY OTHER PARTY WITHOUT THE EXPRESS WRITTEN PERMISSION OF TECUMSEH PRODUCTS CO. ANY UNAUTHORIZED USE OF THIS DRAWING OR PRINT IS PROHIBITED AND WILL BE PROSECUTED TO THE FULL EXTENT OF THE LAW.</p>				<p>TECUMSEH PRODUCTS CO. TECUMSEH, MICHIGAN</p>		DRAWING NO.	
				MATERIAL		DEAG02	
				DRAWING No. MDB88-08		REVISION LEVEL:	REL