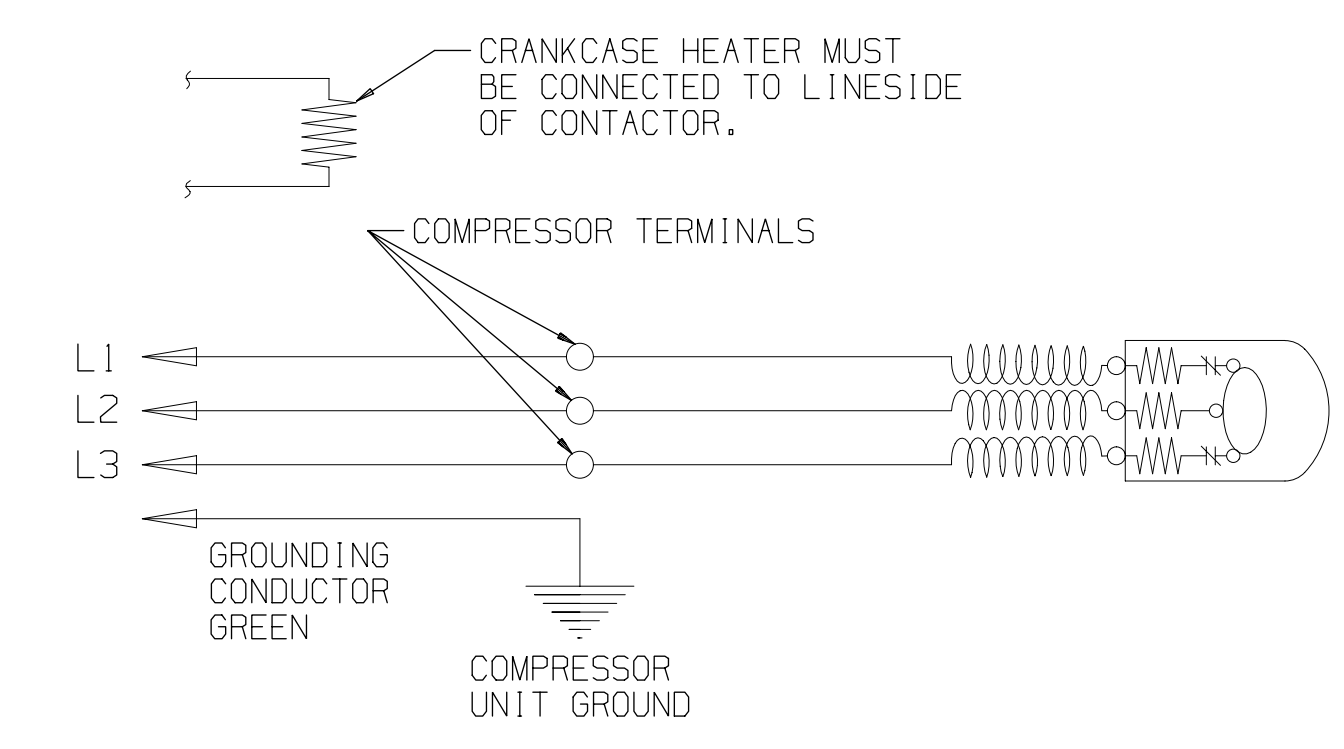
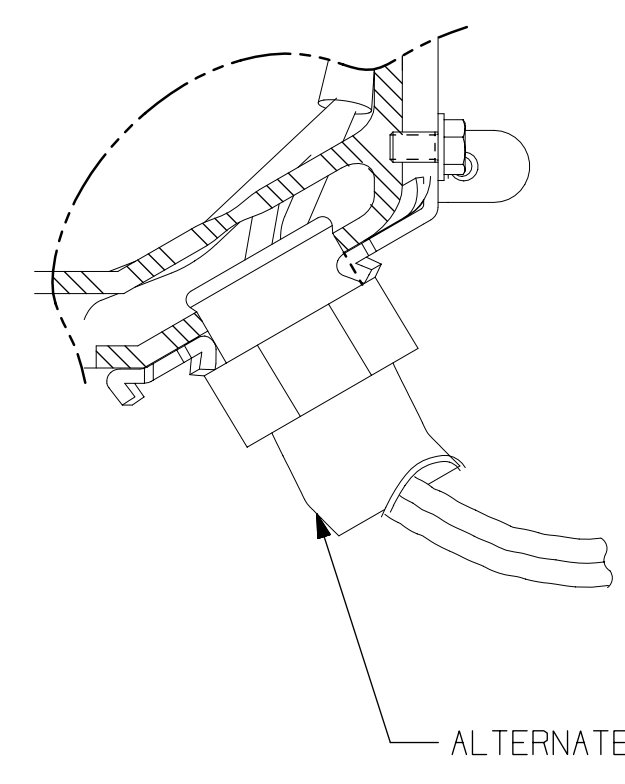
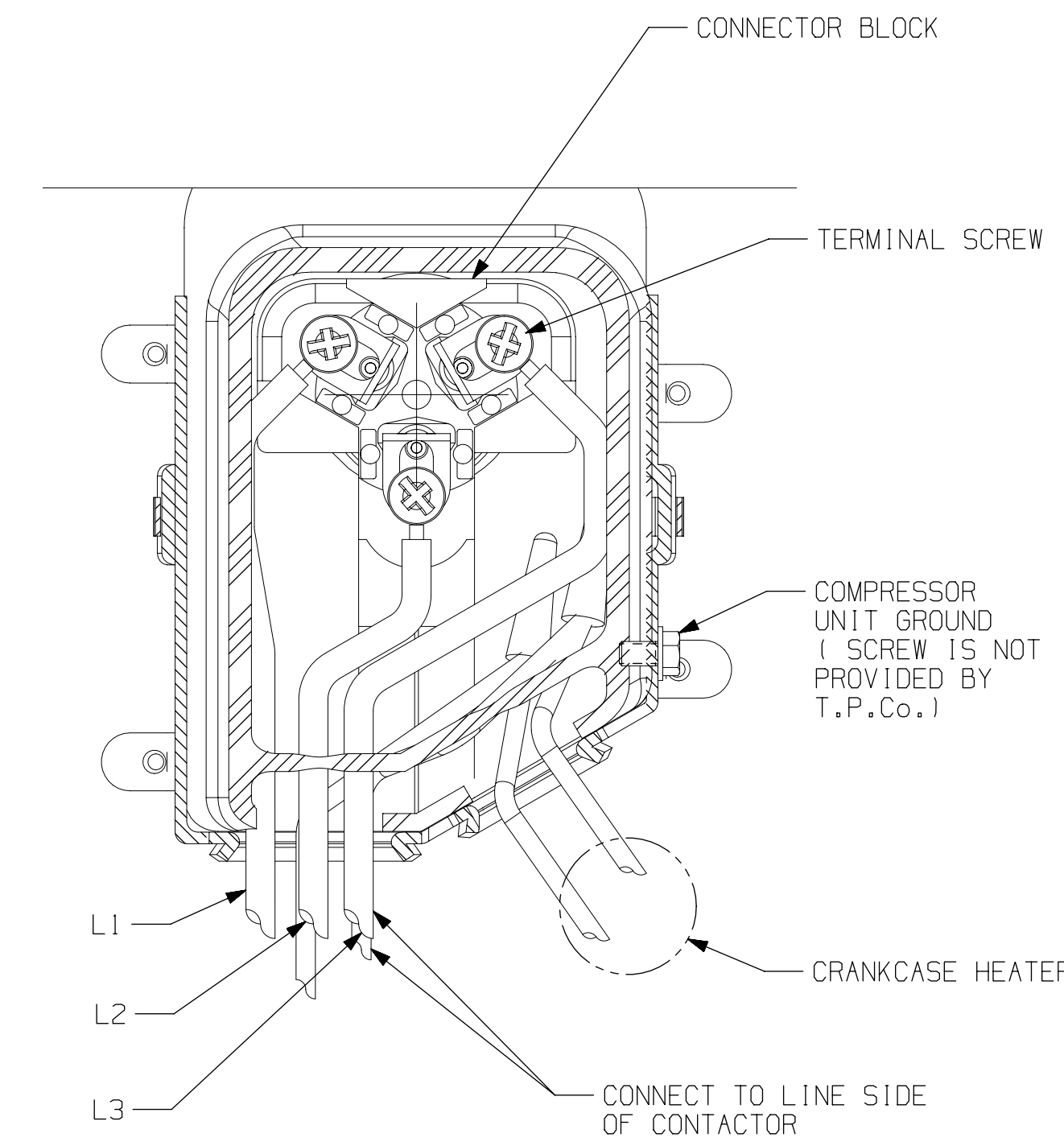
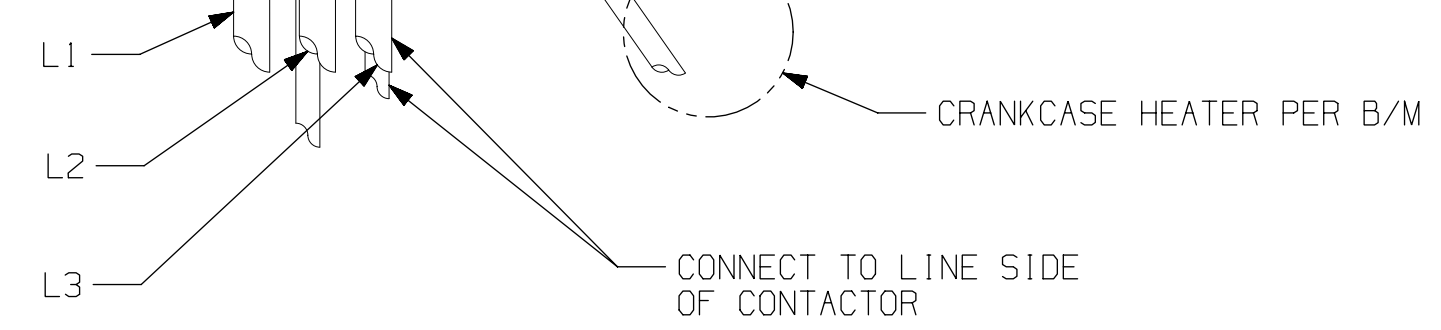
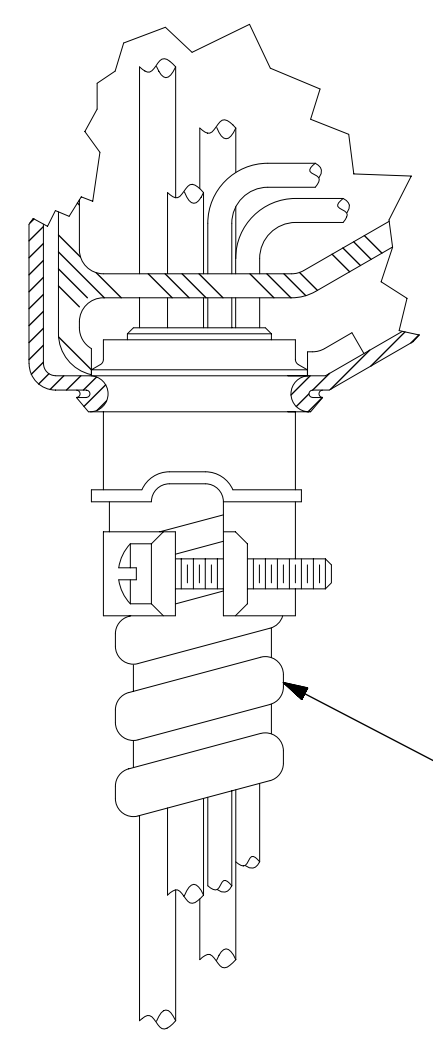


SCHEMATIC WIRING DIAGRAM - 3 PHASE INTERNAL OVERLOAD (LINE BREAK) AND CRANKCASE HEATER. REF DWG MD472-43



SCHEMATIC WIRING DIAGRAM - 3 PHASE INTERNAL OVERLOAD (LINE BREAK) AND CRANKCASE HEATER.



WARNING-WIRING DIAGRAM MUST BE FOLLOWED AS SHOWN. ANY MISWIRING CAN CAUSE SERIOUS ELECTRICAL HAZARD AND POTENTIAL DAMAGE OR RUPTURE OF COMPONENT ELECTRICAL PARTS.

AG - 3 PHASE - INTERNAL OVERLOAD (LINE BREAK) - CRANKCASE HEATER.

ENGLISH	
Q.A. SYMBOLS	
☆	= CATEGORY I
△	= CATEGORY II
□	= CATEGORY III
○	= CATEGORY IV

#240574-089 REDRAWN ON UNIGRAPHICS AND UPDATED WITH MD472-43	DATE CHANGE L1 L2 L3	ELECTRICAL HOOK-UP		THIS PRINT SUPERSEDES ALL PRINTS PRIOR TO DRAWING NO. DEAG02
		DWN. EAC 17MAR05 CK C		
		MATERIAL N/A		
		DRAWING No. MD888-08 REVISION LEVEL: REL		