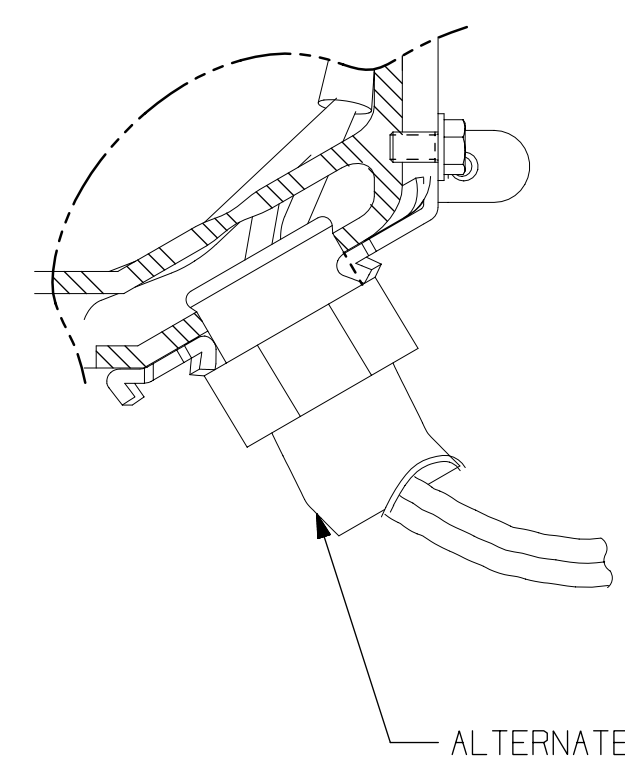
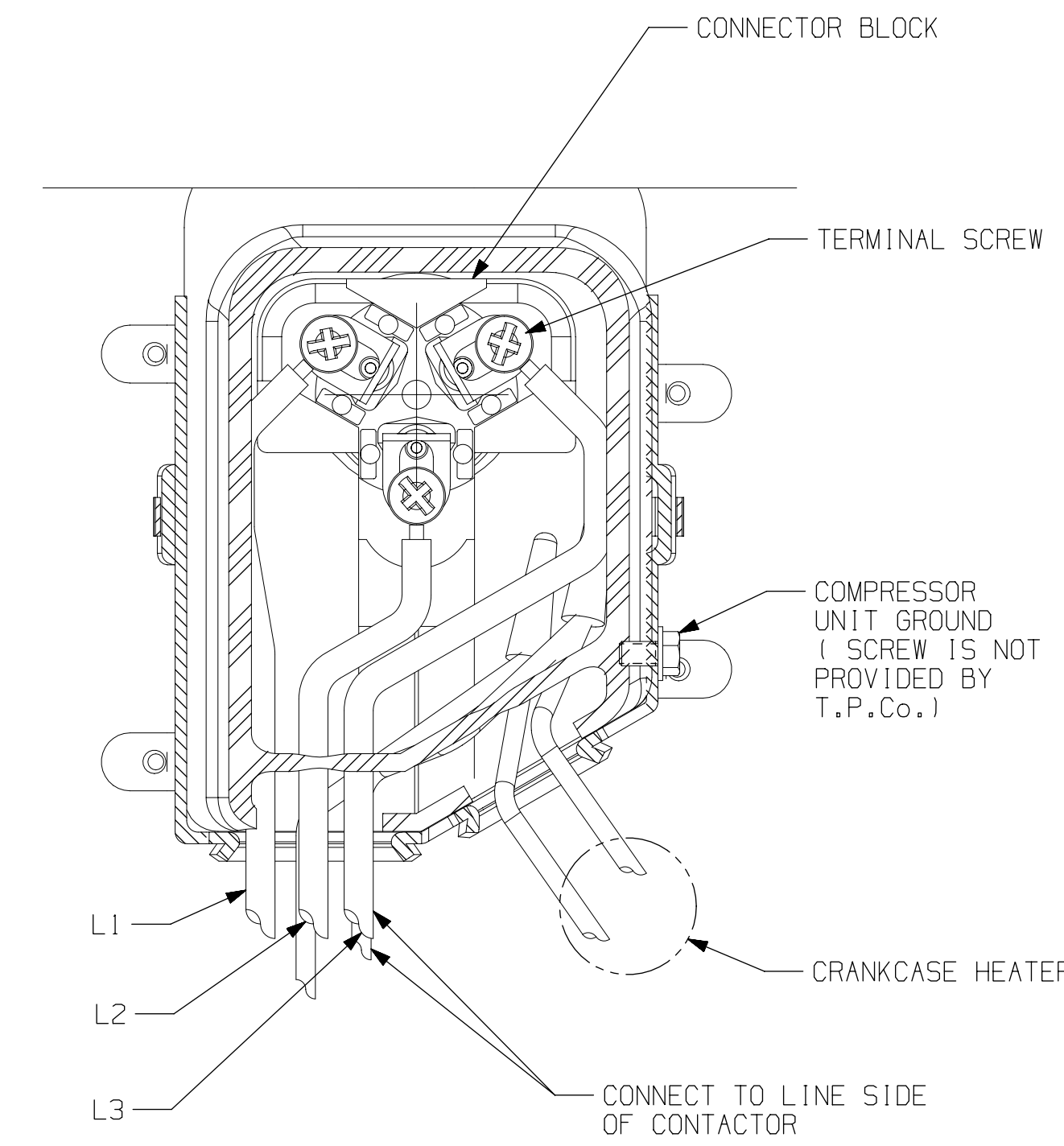
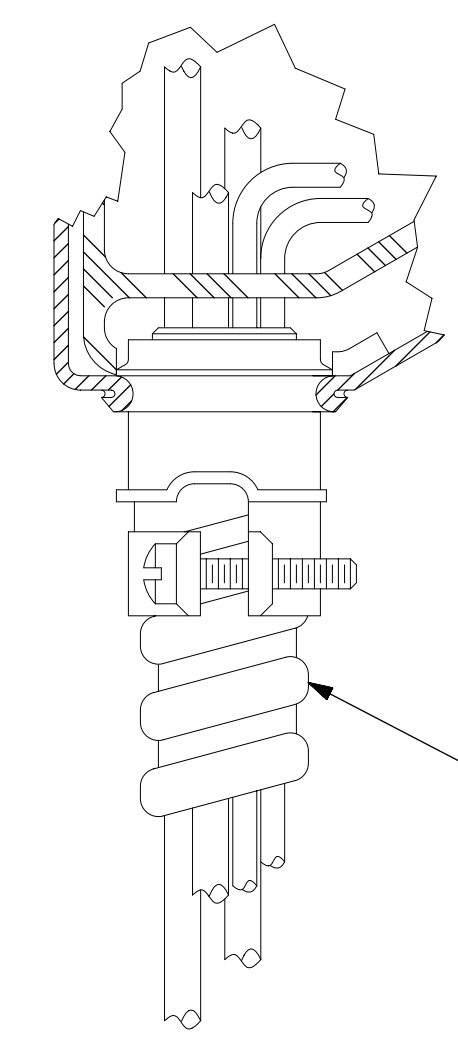


SCHEMATIC WIRING DIAGRAM - 3 PHASE INTERNAL OVERLOAD (LINE BREAK) AND CRANKCASE HEATER. REF DWG MD472-43



SCHEMATIC WIRING DIAGRAM - 3 PHASE INTERNAL OVERLOAD (LINE BREAK) AND CRANKCASE HEATER.



ALTERNATE IF CONDUIT IS USED

WARNING-WIRING DIAGRAM MUST BE FOLLOWED AS SHOWN. ANY MISWIRING CAN CAUSE SERIOUS ELECTRICAL HAZARD AND POTENTIAL DAMAGE OR RUPTURE OF COMPONENT ELECTRICAL PARTS.

AG - 3 PHASE - INTERNAL OVERLOAD (LINE BREAK) - CRANKCASE HEATER.

ENGLISH

Q.A. SYMBOLS

- ☆ = CATEGORY I
- △ = CATEGORY II
- = CATEGORY III
- = CATEGORY IV

BANNER	#240574-089 REDRAWN ON UNIGRAPHICS AND UPDATED WITH MD472-43	DATE	ELECTRICAL HOOK-UP		THIS PRINT SUPERSEDES ALL PRINTS PRIOR TO	
	CHANGE	DATE	DWN. EAC 17MAR05	CK		
	THIS DRAWING OR PRINT IS THE PROPERTY OF TECUMSEH PRODUCTS CO. IT IS TO BE USED ONLY FOR THE PROJECT AND SPECIFIC EQUIPMENT IDENTIFIED THEREIN. IT IS NOT TO BE REPRODUCED, COPIED, OR DISTRIBUTED IN ANY MANNER WITHOUT THE EXPRESS WRITTEN PERMISSION OF TECUMSEH PRODUCTS CO. ANY SUCH INFORMATION OBTAINED FROM THIS DRAWING OR PRINT IS TO BE KEPT CONFIDENTIAL AND NOT TO BE DISCLOSED TO ANY OTHER PARTY WITHOUT THE EXPRESS WRITTEN PERMISSION OF TECUMSEH PRODUCTS CO. ANY SUCH INFORMATION OBTAINED FROM THIS DRAWING OR PRINT IS TO BE KEPT CONFIDENTIAL AND NOT TO BE DISCLOSED TO ANY OTHER PARTY WITHOUT THE EXPRESS WRITTEN PERMISSION OF TECUMSEH PRODUCTS CO. ANY SUCH INFORMATION OBTAINED FROM THIS DRAWING OR PRINT IS TO BE KEPT CONFIDENTIAL AND NOT TO BE DISCLOSED TO ANY OTHER PARTY WITHOUT THE EXPRESS WRITTEN PERMISSION OF TECUMSEH PRODUCTS CO.		MATERIAL N/A			DRAWING NO. DEAG02
	DO NOT SCALE THIS DRAWING. ALL DIMENSIONS ARE TO BE TAKEN FROM THE DRAWING. THIS DRAWING IS NOT TO BE USED AS A BASIS FOR CONSTRUCTION UNLESS SPECIFICALLY NOTED OTHERWISE.	DRAWING No. MD888-08	REVISION LEVEL: REL	TECUMSEH PRODUCTS CO. TECUMSEH, MICHIGAN		