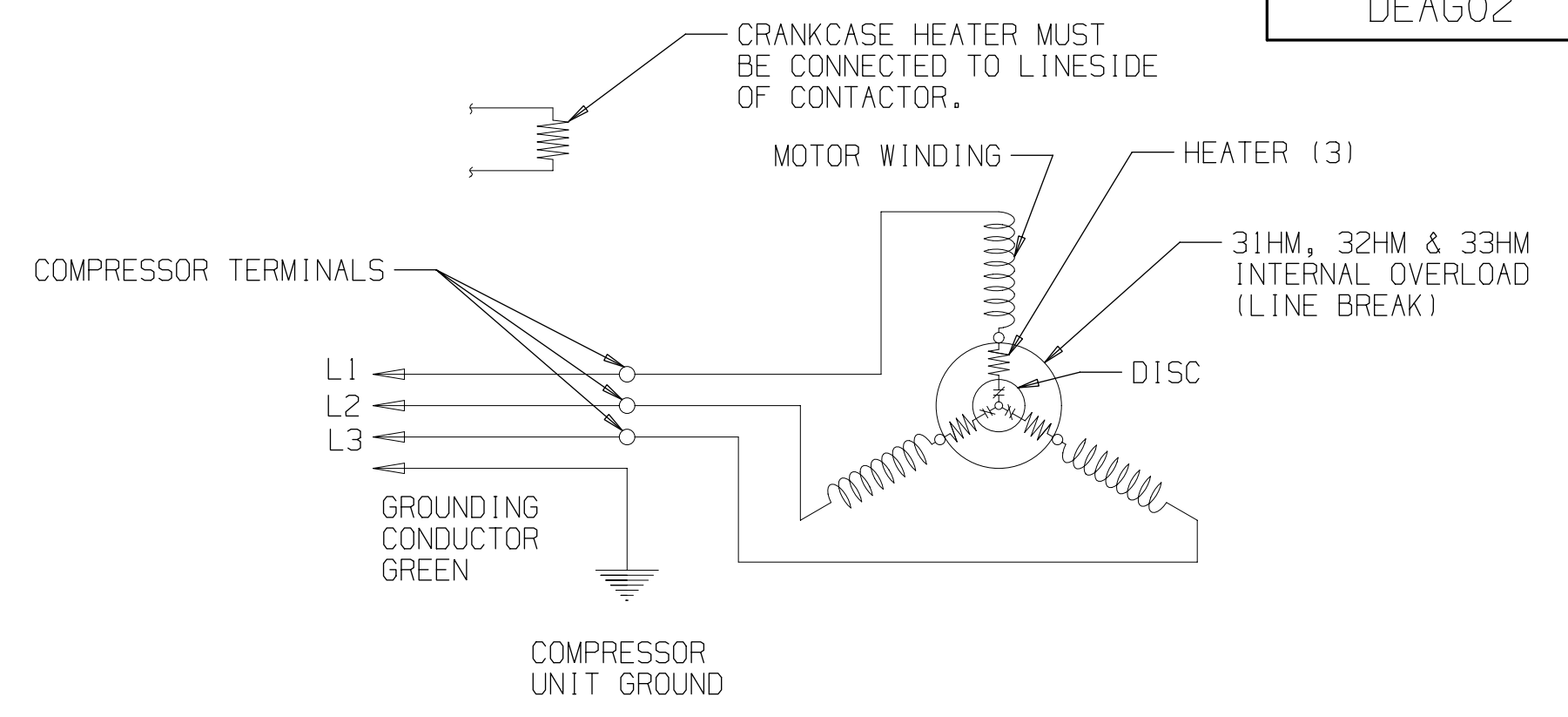
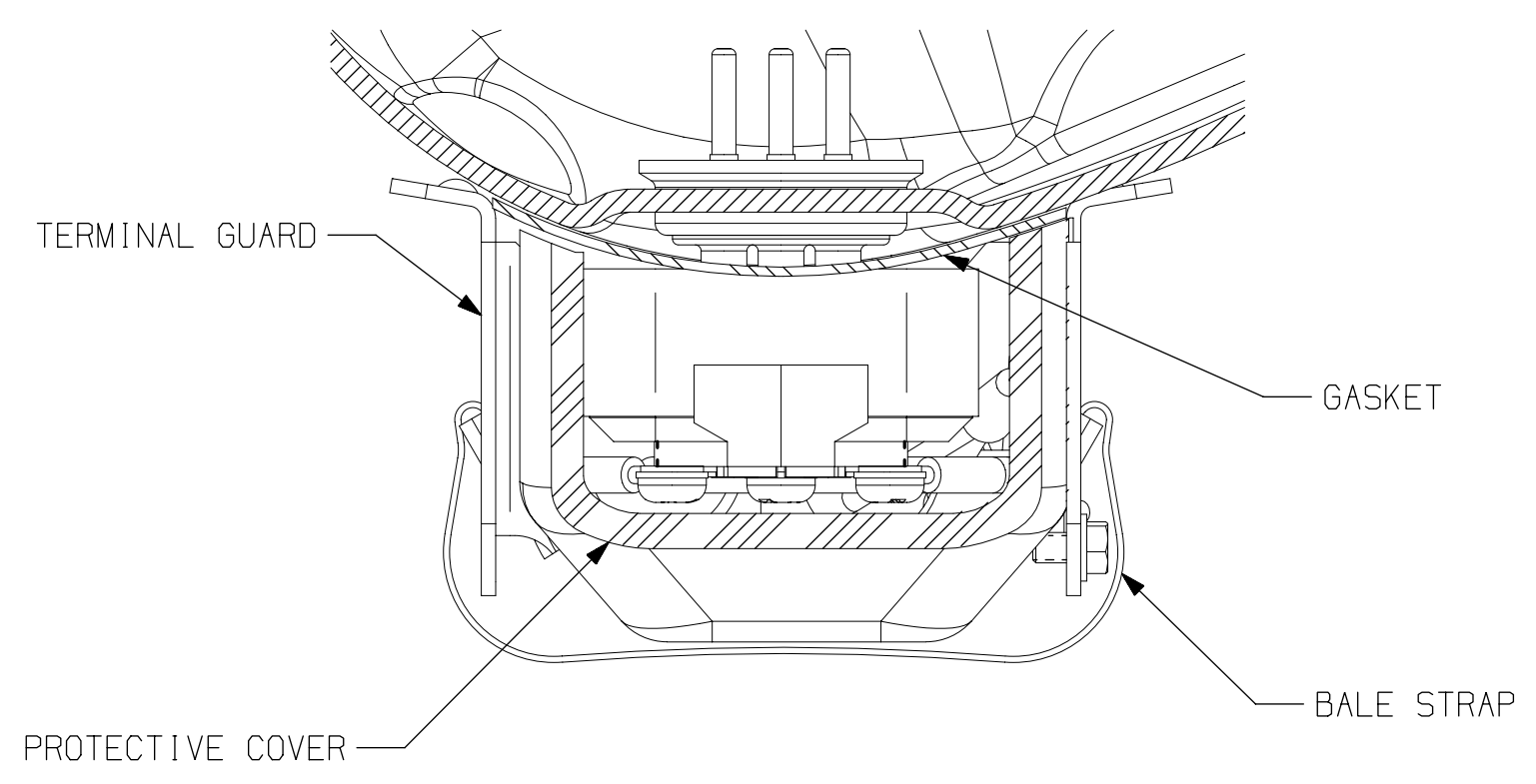
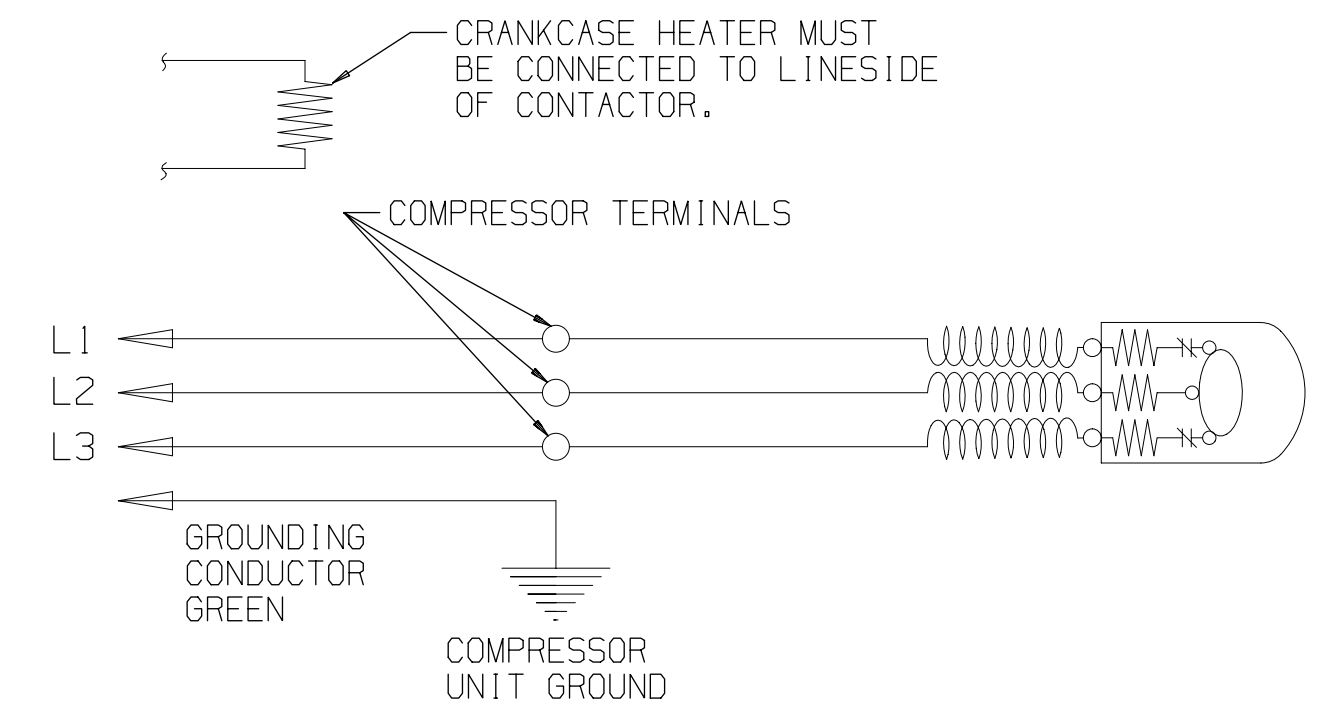
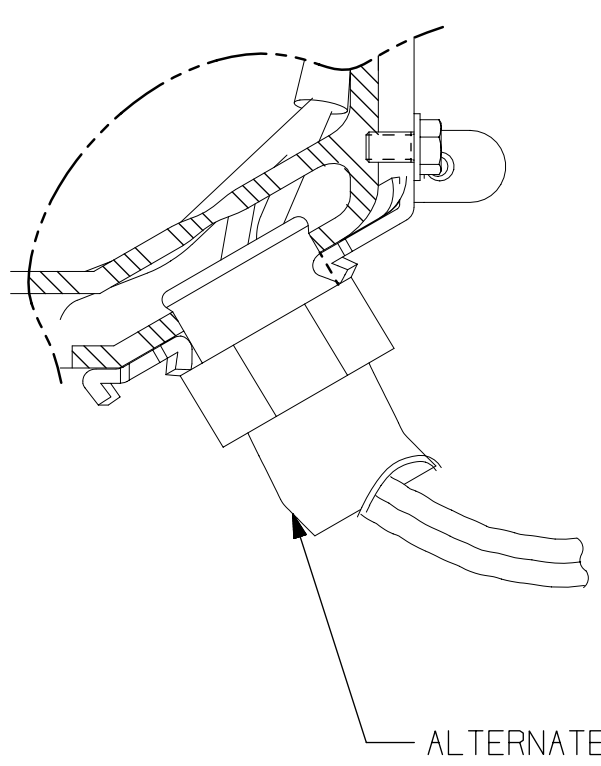
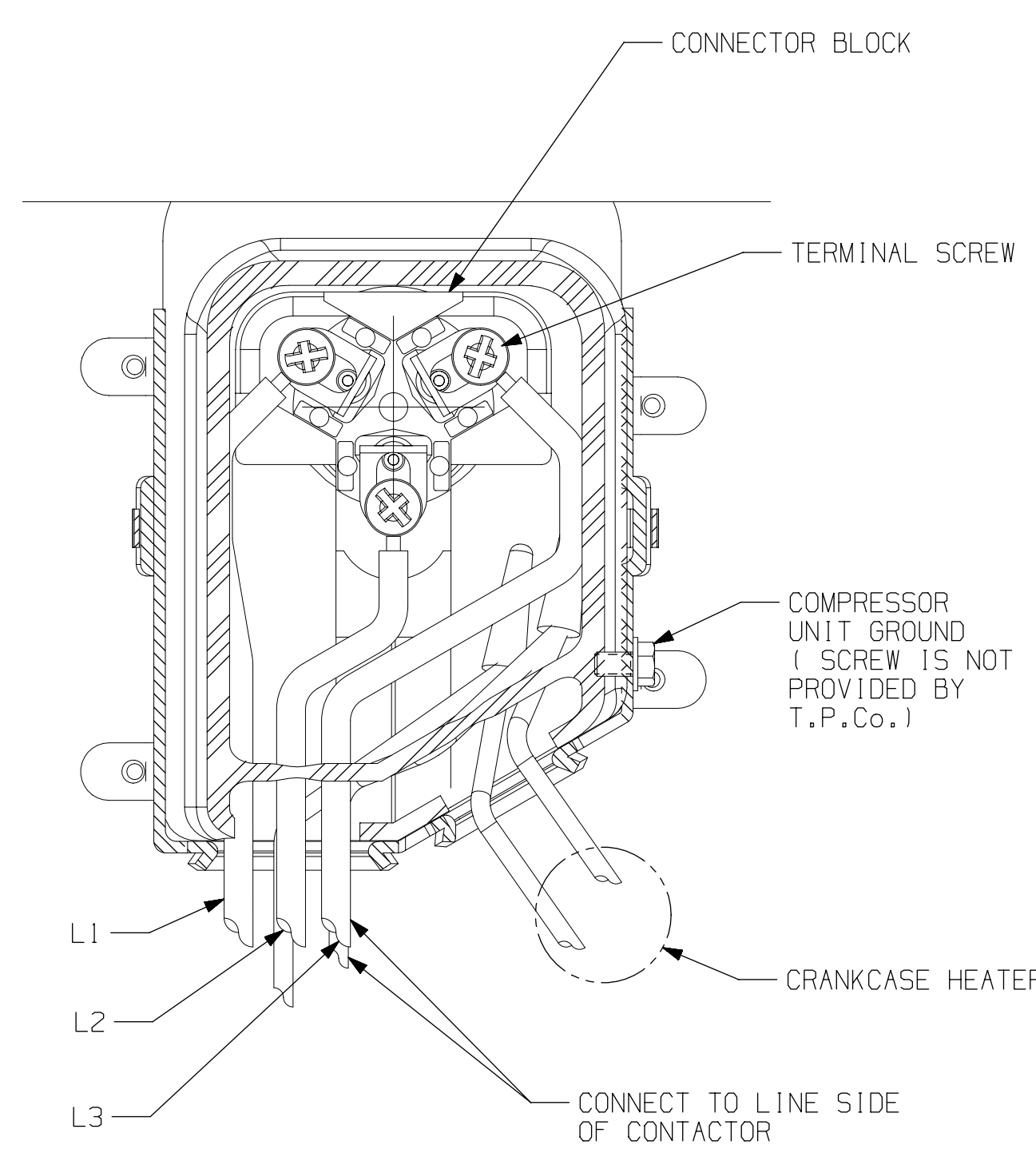


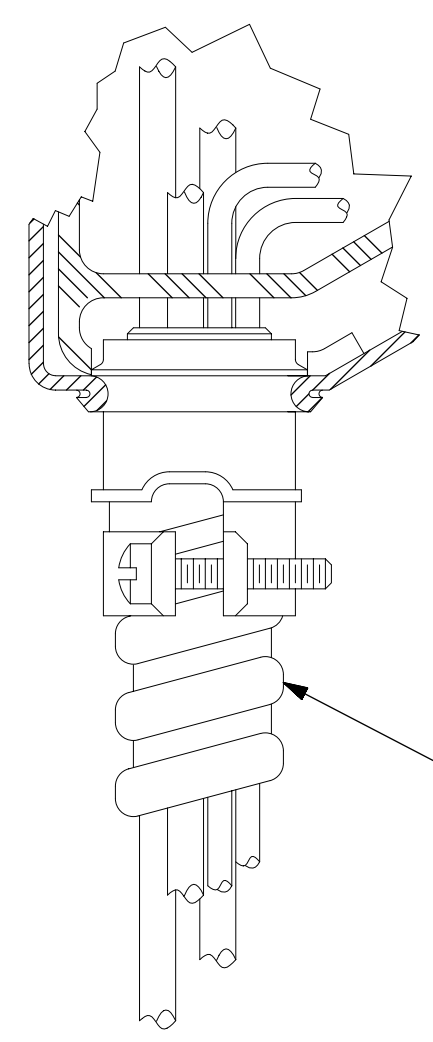
DRAWING NO.
DEAG02



SCHEMATIC WIRING DIAGRAM - 3 PHASE
INTERNAL OVERLOAD (LINE BREAK) AND
CRANKCASE HEATER. REF DWG MD472-43



SCHEMATIC WIRING DIAGRAM - 3 PHASE
INTERNAL OVERLOAD (LINE BREAK) AND CRANKCASE HEATER.



WARNING-WIRING DIAGRAM MUST BE FOLLOWED AS SHOWN. ANY MISWIRING CAN CAUSE SERIOUS ELECTRICAL HAZARD AND POTENTIAL DAMAGE OR RUPTURE OF COMPONENT ELECTRICAL PARTS.

AG - 3 PHASE - INTERNAL OVERLOAD (LINE BREAK)- CRANKCASE HEATER.

ENGLISH	
Q.A. SYMBOLS	
☆	= CATEGORY I
△	= CATEGORY II
□	= CATEGORY III
○	= CATEGORY IV

#240574-089 REDRAWN ON UNI-GRAPHICS AND UPDATED WITH MD472-43		DATE		ELECTRICAL HOOK-UP		DWN. EAC 17MAR05		THIS PRINT SUPERSEDES ALL PRINTS PRIOR TO	
L1		L2		L3		MATERIAL N/A		DRAWING NO. DEAG02	
T		L1		L2		DRAWING No. MD888-08		REVISION LEVEL: REL	

BANNER