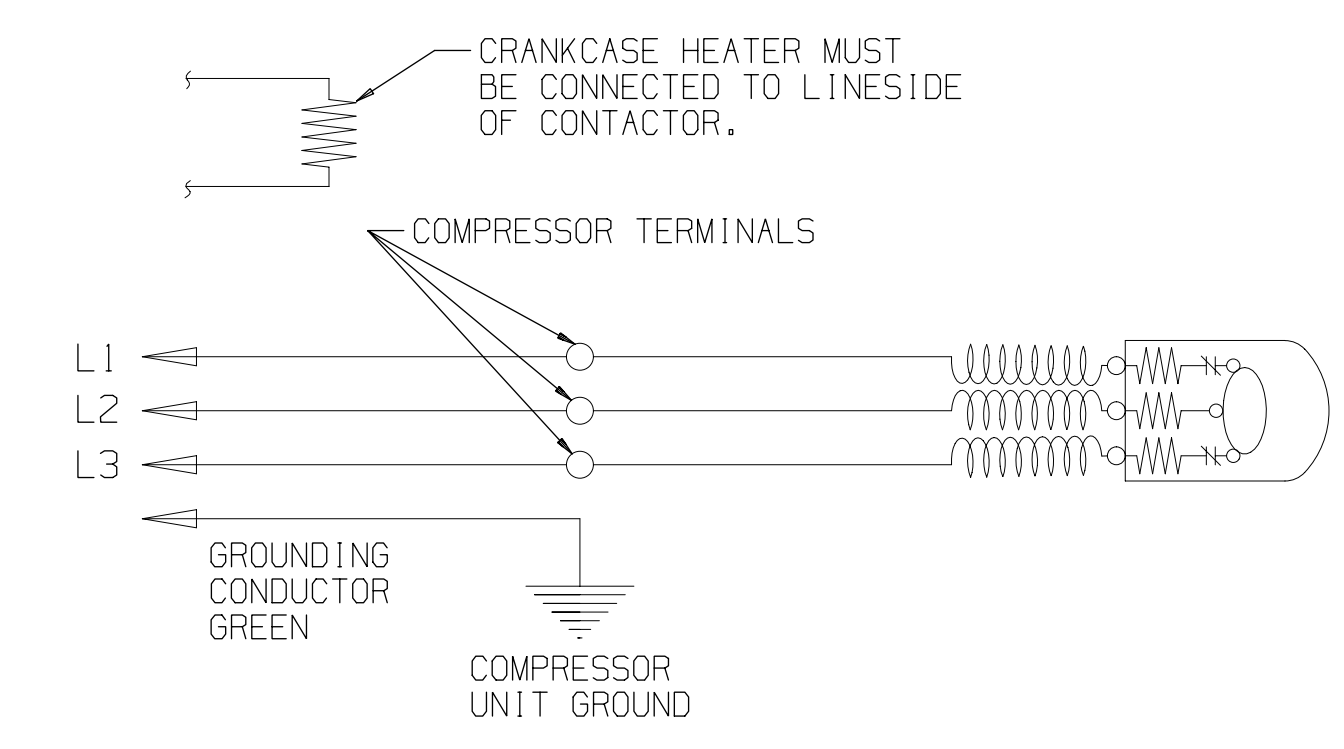
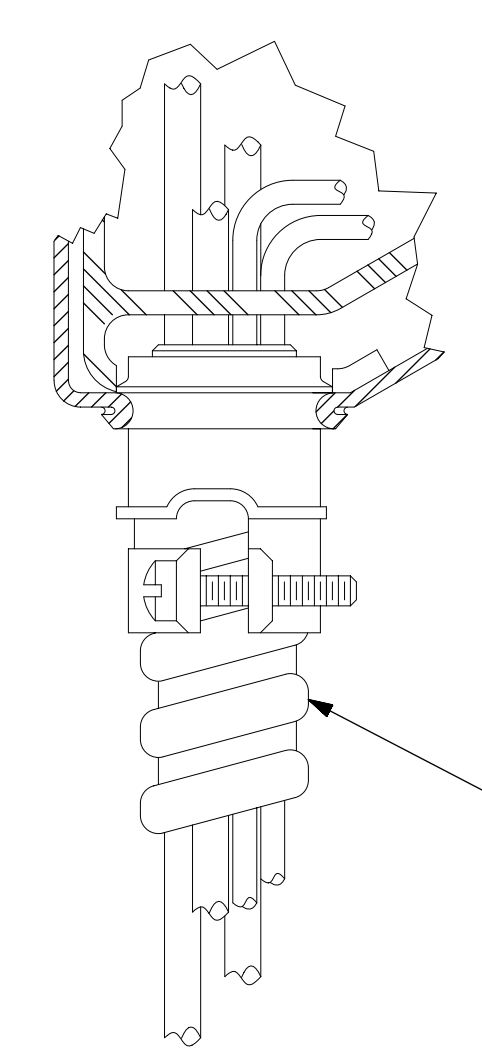
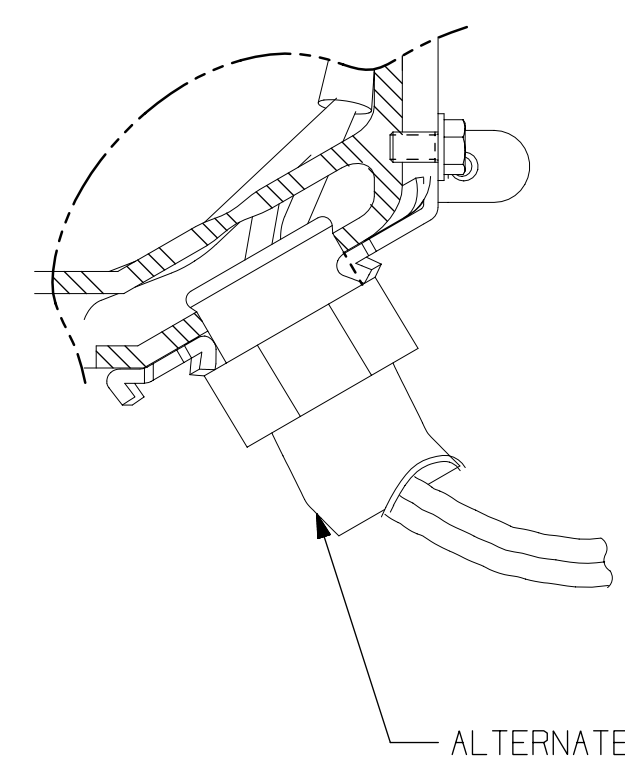
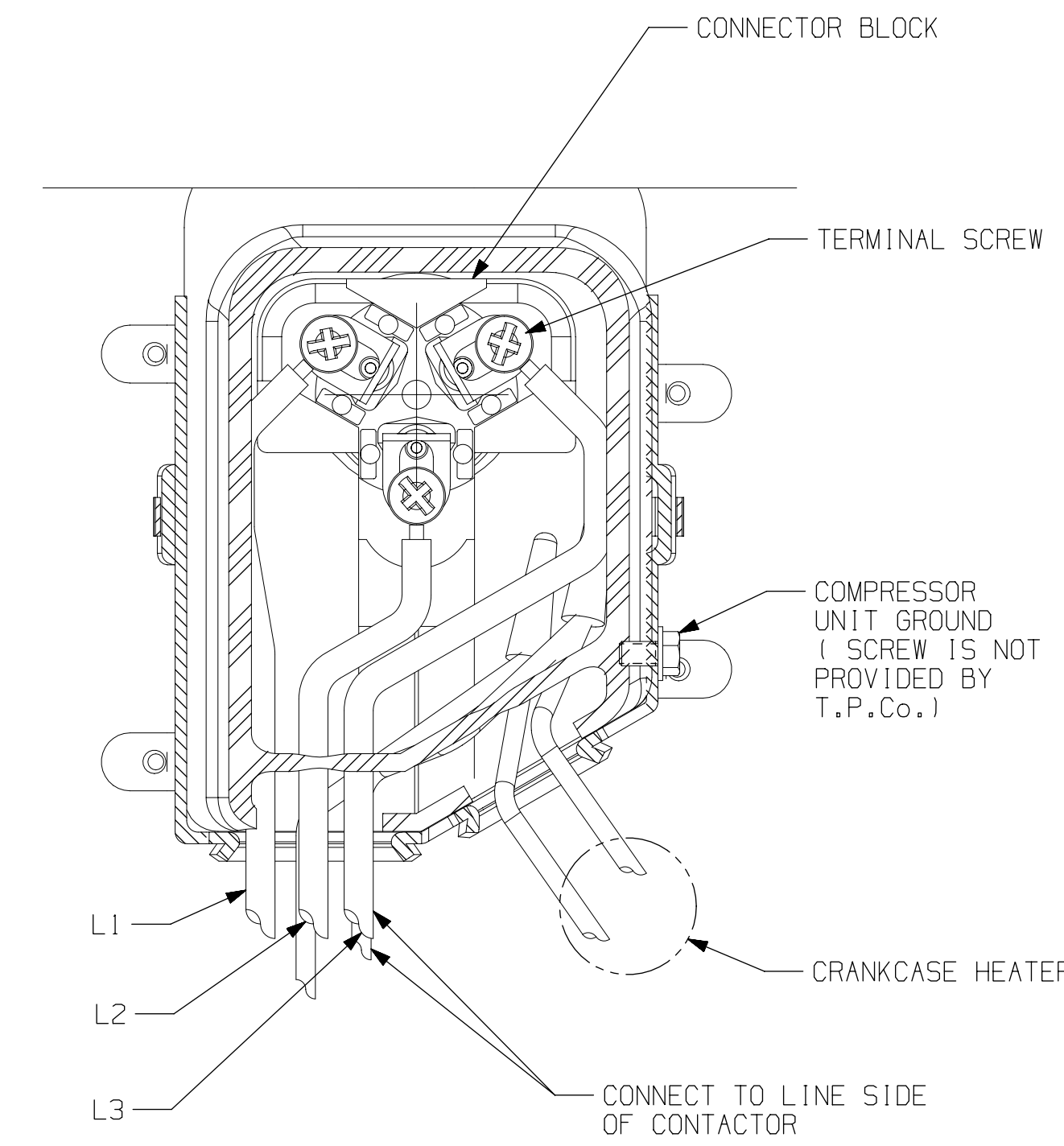


SCHEMATIC WIRING DIAGRAM - 3 PHASE INTERNAL OVERLOAD (LINE BREAK) AND CRANKCASE HEATER. REF DWG MD472-43



SCHEMATIC WIRING DIAGRAM - 3 PHASE INTERNAL OVERLOAD (LINE BREAK) AND CRANKCASE HEATER.

WARNING-WIRING DIAGRAM MUST BE FOLLOWED AS SHOWN. ANY MISWIRING CAN CAUSE SERIOUS ELECTRICAL HAZARD AND POTENTIAL DAMAGE OR RUPTURE OF COMPONENT ELECTRICAL PARTS.

AG - 3 PHASE - INTERNAL OVERLOAD (LINE BREAK) - CRANKCASE HEATER.

| | |
|--------------|----------------|
| ENGLISH | |
| Q.A. SYMBOLS | |
| ☆ | = CATEGORY I |
| △ | = CATEGORY II |
| □ | = CATEGORY III |
| ○ | = CATEGORY IV |

| | | | | |
|--|----------------------------------|--|--|--|
| #240574-089 REDRAWN ON UNIGRAPHICS AND UPDATED WITH MD472-43 | DATE CHANGE L1 L2 L3 | ELECTRICAL HOOK-UP | | THIS PRINT SUPERSEDES ALL PRINTS PRIOR TO DRAWING NO. DEAG02 |
| | | DWN. EAC 17MAR05 CK C | | |
| | | MATERIAL N/A | | |
| | | DRAWING No. MD888-08 REVISION LEVEL: REL | | |