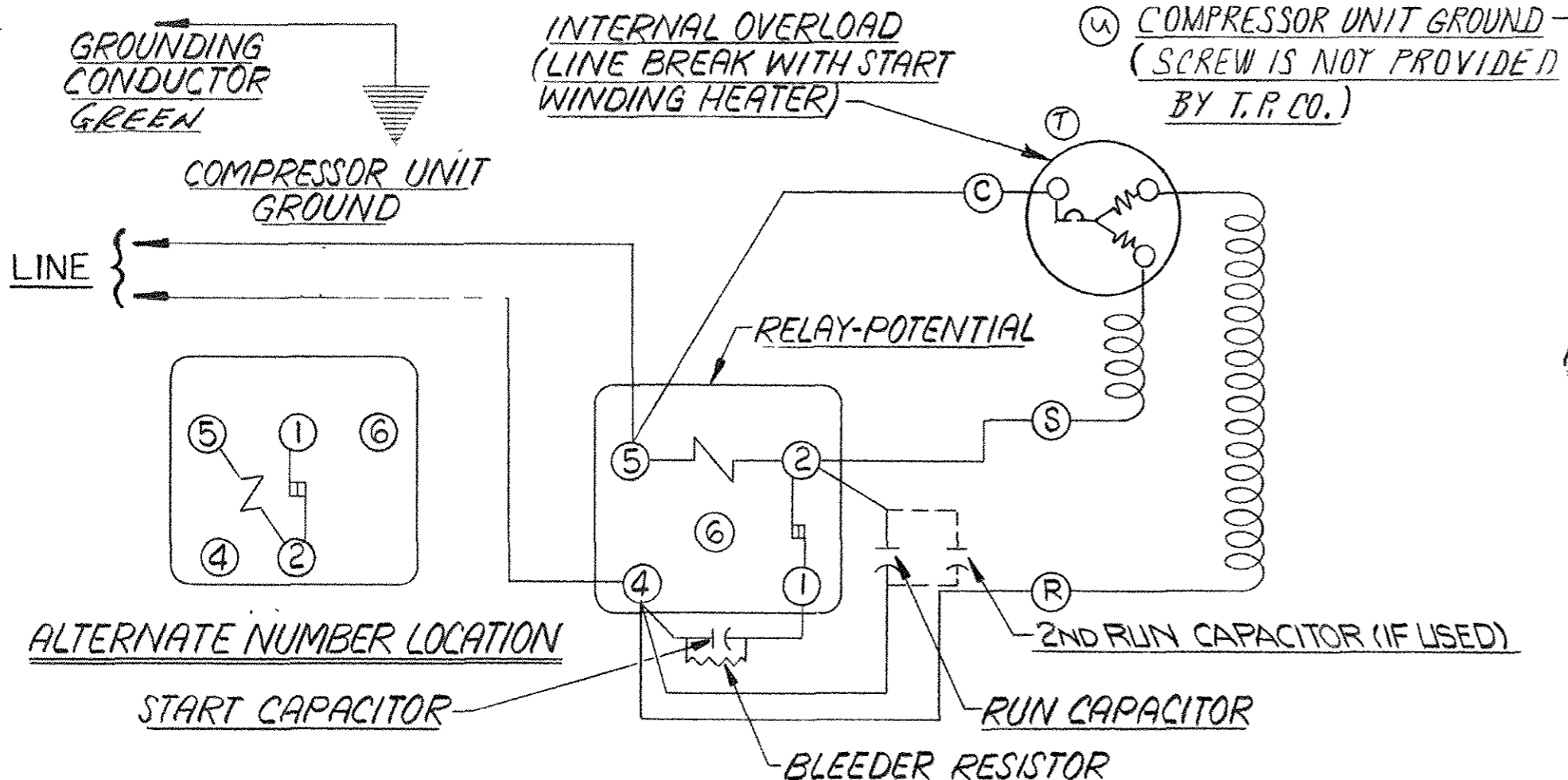


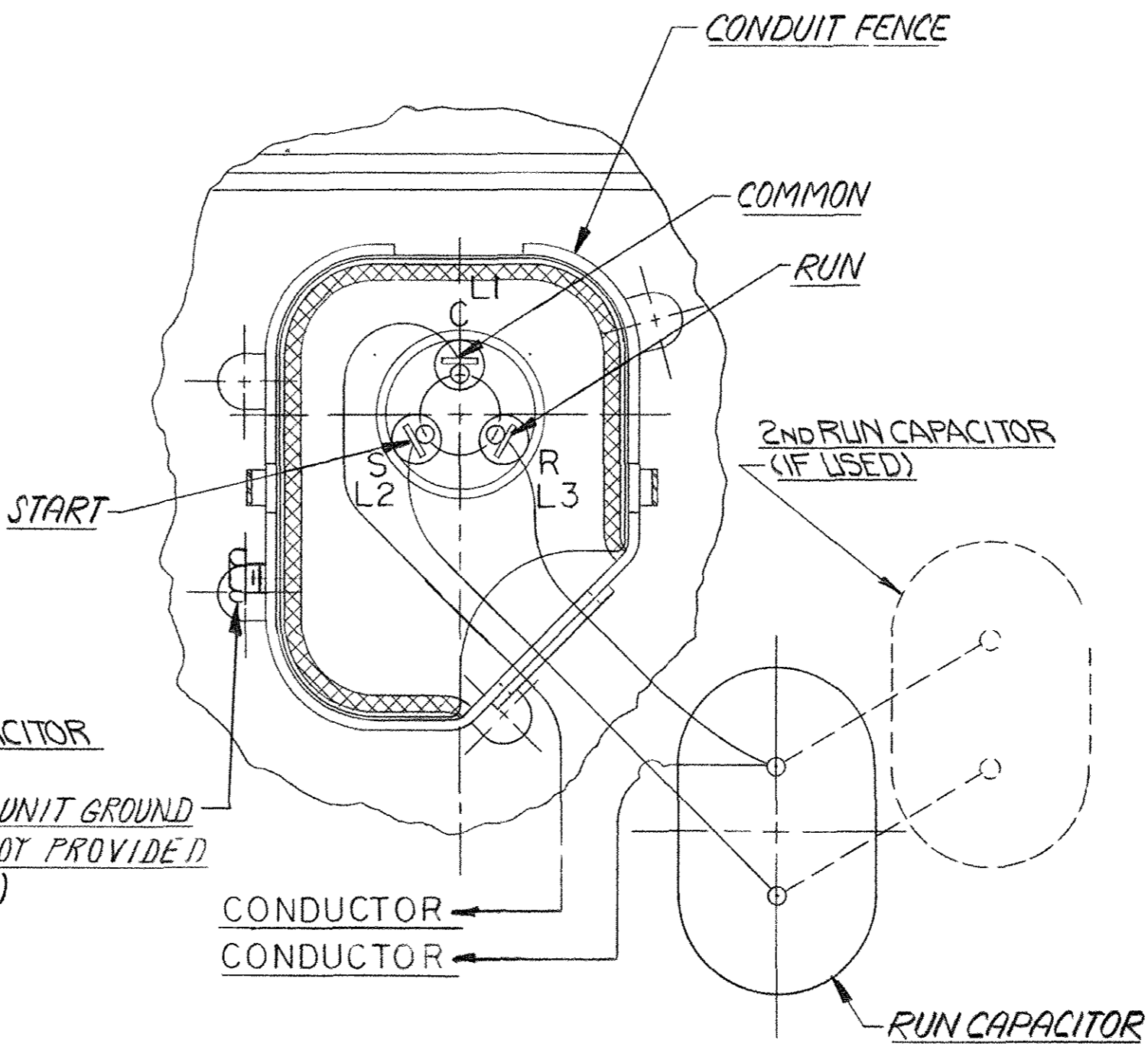
230 V. SCHEMATIC WIRING DIAGRAM - PSC - INTERNAL OVERLOAD (LINE BREAK) - START WINDING HEATER

REF. DWG. MD472-33

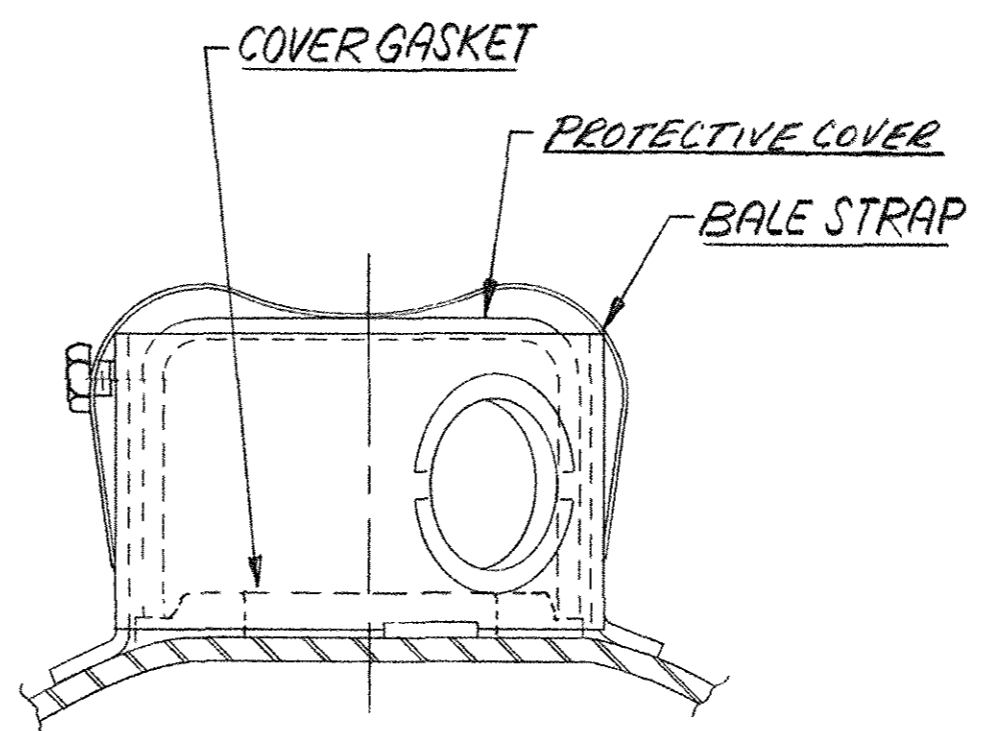


230 V. SCHEMATIC WIRING DIAGRAM - CSR OR CSR START CAPACITOR ASSIST - INTERNAL OVERLOAD (LINE BREAK) - START WINDING HEATER

REF. DWG. MD472-34



PSC HOOKUP SHOWN



- NOTE**
1. ASSEMBLE PARTS AS SHOWN IF SPECIFIED ON B/M.
 - 2.
 3. IF TWO RUN CAPACITORS ARE REQUIRED HOOKUP AS SHOWN.

WARNING - WIRING DIAGRAM MUST BE FOLLOWED AS SHOWN. ANY MISWIRING CAN CAUSE SERIOUS ELECTRICAL HAZARD AND POTENTIAL DAMAGE OR RUPTURE OF COMPONENT ELECTRICAL PARTS.

AH-230 V. - PSC - INTERNAL OVERLOAD (LINE BREAK) - START WINDING HEATER
 AH-230 V. - CSR OR CSR START CAPACITOR ASSIST - INTERNAL OVERLOAD (LINE BREAK) - START WINDING HEATER

DATE	4-17-97	DIS. CODE	348W	NAME	ELECTRICAL HOOKUP
U D	235648	WFM		DWN	R. COWE
6	ADDED NOTE	4-17-97		CK.	
60	REVISED PICTURE R.D.			APR.	
1	BEFORE OVERLOAD			SCALE	
5	REMOVED				
1	CHANGES				
<p>THIS DRAWING OR PRINT IS THE PROPERTY OF TECUMSEH PRODUCTS COMPANY AND IS NOT TO BE REPRODUCED, COPIED, OR TRANSMITTED IN ANY MANNER WITHOUT THE WRITTEN PERMISSION OF TECUMSEH PRODUCTS COMPANY. THIS INFORMATION IS UNCLASSIFIED AND IS MADE AVAILABLE TO THE PUBLIC. INFORMATION CONTAINED HEREON IS UNCLASSIFIED EXCEPT WHERE SHOWN OTHERWISE. THIS INFORMATION IS UNCLASSIFIED EXCEPT WHERE SHOWN OTHERWISE. THIS INFORMATION IS UNCLASSIFIED EXCEPT WHERE SHOWN OTHERWISE.</p>					
<p>DO NOT SCALE THIS DRAWING. ALL FERROUS MATERIALS MUST NOT BE MANGNETIZED OR RECEIVED OR AT COMPRESSOR ASSEMBLY.</p>				<p>THIS PRINT SUPERSEDES ALL PRINTS PRIOR TO</p>	
<p>MATERIAL</p>				<p>PART NO. DEAH-5</p>	