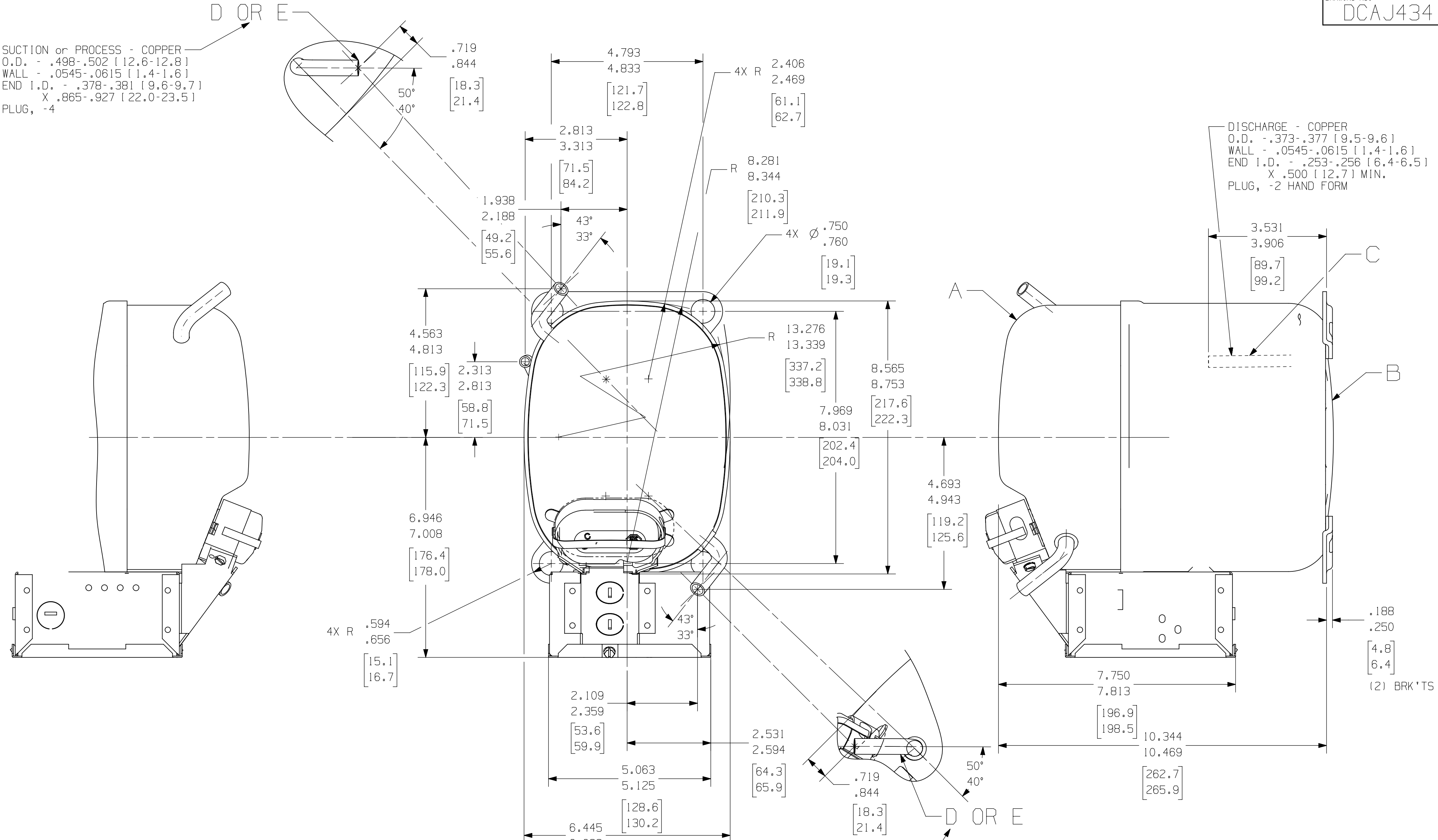


SUCTION or PROCESS - COPPER
 O.D. - .498-.502 [12.6-12.8]
 WALL - .0545-.0615 [1.4-1.6]
 END I.D. - .378-.381 [9.6-9.7]
 X .865-.927 [22.0-23.5]
 PLUG, -4

DISCHARGE - COPPER
 O.D. - .373-.377 [9.5-9.6]
 WALL - .0545-.0615 [1.4-1.6]
 END I.D. - .253-.256 [6.4-6.5]
 X .500 [12.7] MIN.
 PLUG, -2 HAND FORM



- NOTE:
1. IF SPECIFIED ON BILL OF MATERIAL ASSEMBLE THESE PARTS AS SHOWN.
 2. SEE SPEC. "A-B" & "A-C" FOR PROCESSING.
 3. SEE DWG. #AHT1 FOR ASSEMBLY OF DISCHARGE CONNECTOR AND LOWER SHOCK LOOP IN LOWER HOUSING.
 4. MUST COMPLY WITH T.P.Co. GLOBAL SPEC 08.

A	HA635-6
B	HA634
C	34895-03
D	34372
E	34372

SUCTION or PROCESS - COPPER
 O.D. - .498-.502 [12.6-12.8]
 WALL - .0545-.0615 [1.4-1.6]
 END I.D. - .378-.381 [9.6-9.7]
 X .865-.927 [22.0-23.5]
 PLUG, -4

DIMENSIONING = INCHES OR INCHES (MILLIMETERS)
 MILLIMETERS

3D, VNX6

ENGLISH

Q.A. SYMBOLS

- ★ = CATEGORY I
- ▲ = CATEGORY II
- = CATEGORY III
- = CATEGORY IV

EC8278 ATC 3-PODING REMOVED 21OCT19		TS 29SEP11		DATE		DIS.CODE		NAME SALES COMPRESSOR	
B 3-PODING REMOVED 21OCT19		A REDRAWN IN 3D ADDED NOTE #3 MOVED & RENUMBERED TO BE NOTE #4 #23255B		LT CHANGE		DATE		SCALE 1:2	
THIS DRAWING OR PRINT, ALL ITS THE COMPANY, IT'S RIGHTS AND CONTENTS PROPRIETARY AND CONFIDENTIAL. IT IS MADE AVAILABLE TO THE SPECIFIC CONDITIONS THAT NEITHER IT BE DISCLOSED OR MADE AVAILABLE TO ANY OTHER PERSON OR ORGANIZATION WITHOUT THE WRITTEN CONSENT OF TECUMSEH PRODUCTS CO. ANY REPRODUCTION OR TRANSMISSION OF THIS DRAWING OR PRINT WITHOUT THE WRITTEN CONSENT AND IN VIOLATION OF THE TERMS AND CONDITIONS OF THE LICENSE AGREEMENT THEREOF TO TECUMSEH AT THE REQUESTER'S REQUEST IS PROHIBITED.								MATERIAL NOTED	
DO NOT SCALE THIS DRAWING ALL FERROUS MATERIALS SHALL BE RECEIVED OR AT COMPRESSOR ASSEMBLY.								THIS PRINT SUPERSEDES ALL PRINTS PRIOR TO	
TECUMSEH PRODUCTS CO. ANN ARBOR, MICHIGAN								DRAWING NO. DCAJ434	