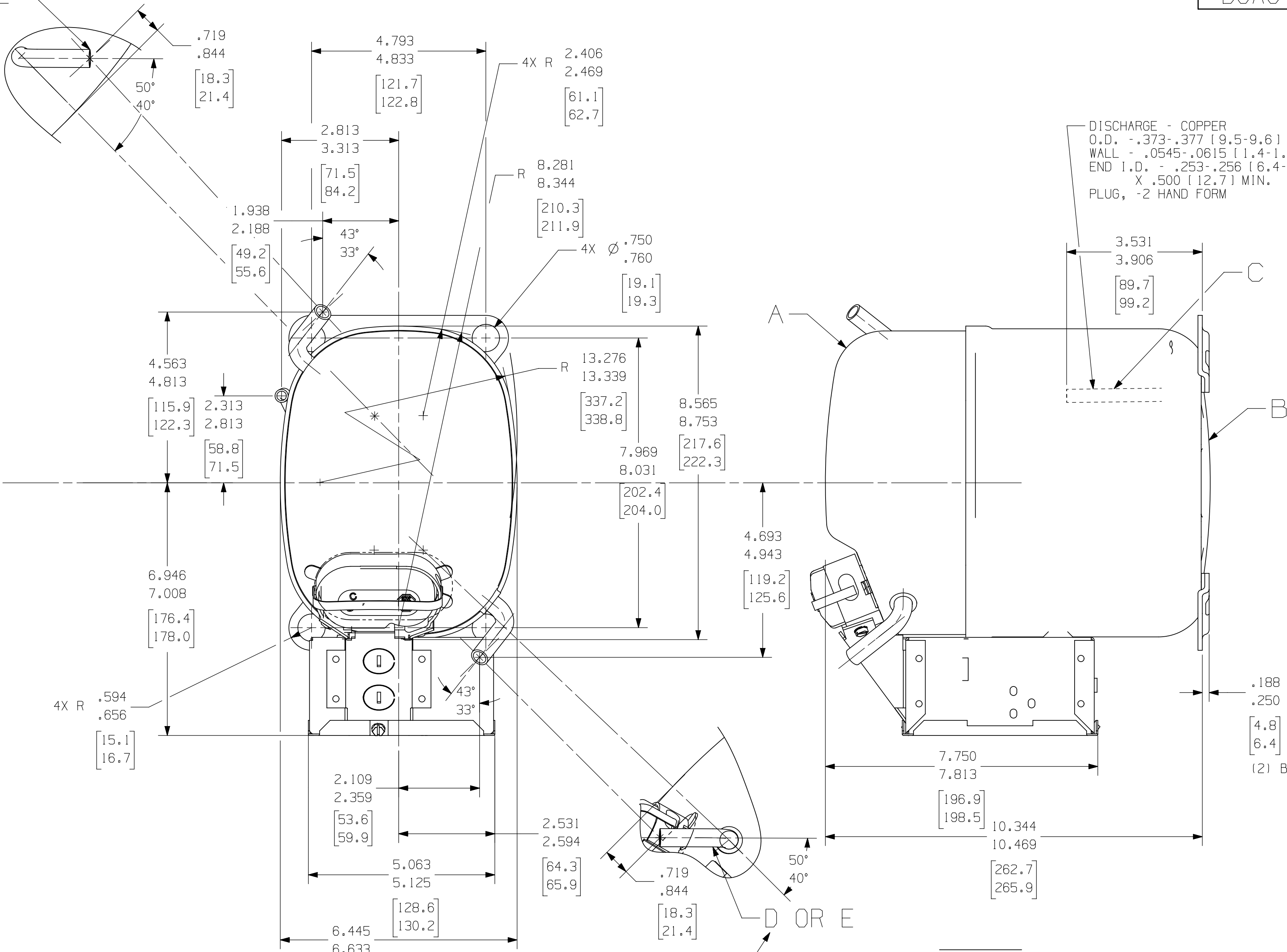
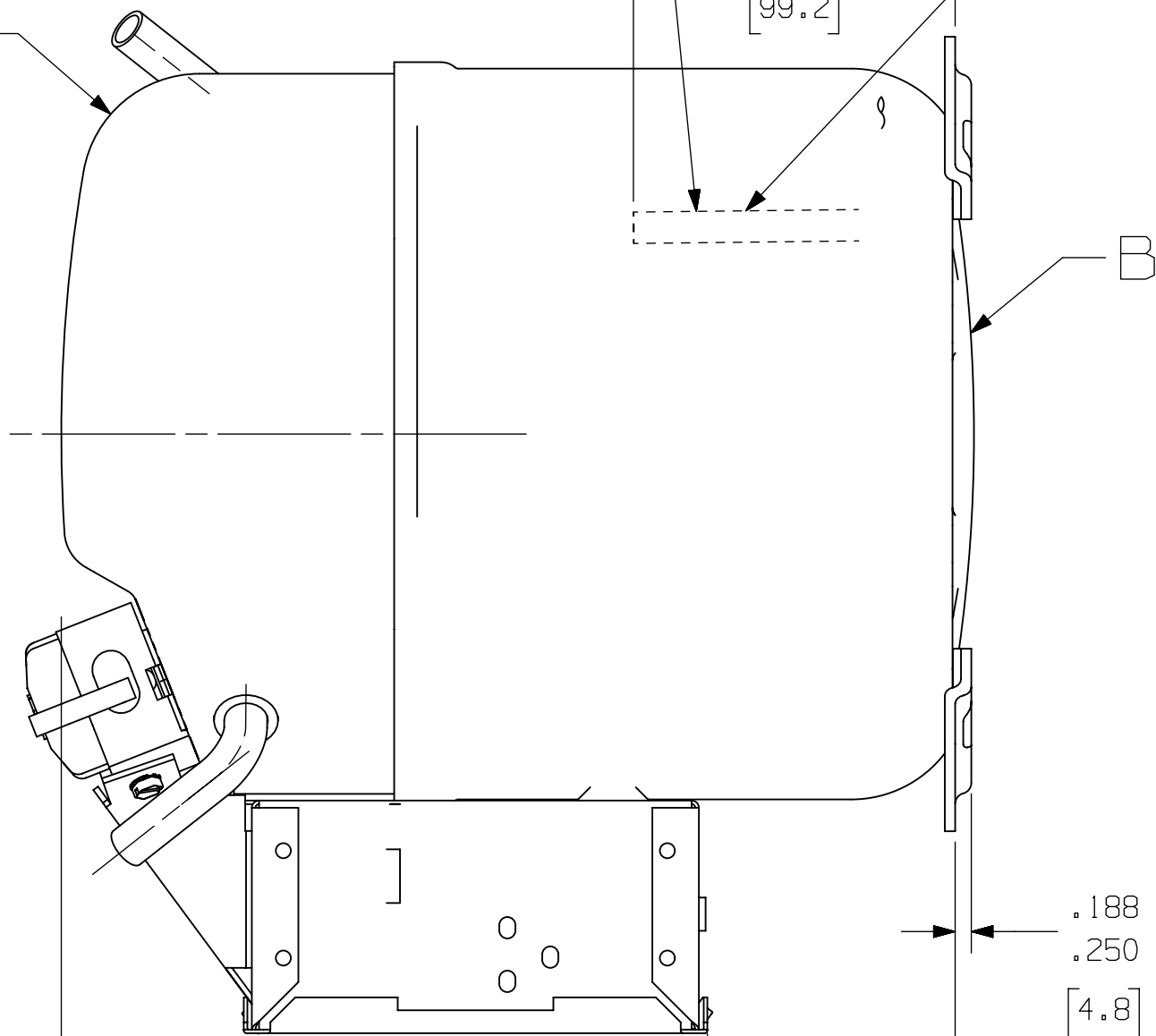
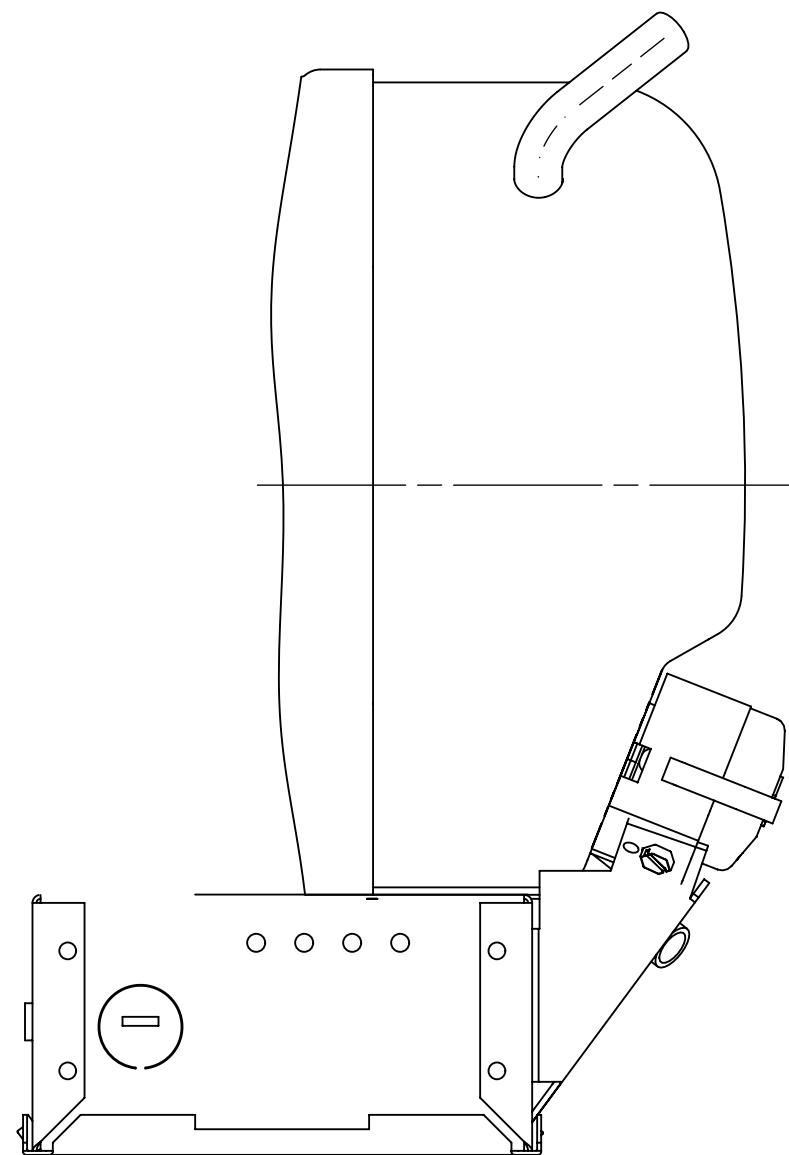


SUCTION or PROCESS - COPPER  
 O.D. - .498-.502 [12.6-12.8]  
 WALL - .0545-.0615 [1.4-1.6]  
 END I.D. - .378-.381 [9.6-9.7]  
 X .865-.927 [22.0-23.5]  
 PLUG, -4

DISCHARGE - COPPER  
 O.D. - .373-.377 [9.5-9.6]  
 WALL - .0545-.0615 [1.4-1.6]  
 END I.D. - .253-.256 [6.4-6.5]  
 X .500 [12.7] MIN.  
 PLUG, -2 HAND FORM



- NOTE:
- IF SPECIFIED ON BILL OF MATERIAL ASSEMBLE THESE PARTS AS SHOWN.
  - SEE SPEC. "A-B" & "A-C" FOR PROCESSING.
  - SEE DWG. #AHT1 FOR ASSEMBLY OF DISCHARGE CONNECTOR AND LOWER SHOCK LOOP IN LOWER HOUSING.
  - MUST COMPLY WITH T.P.Co. GLOBAL SPEC 08.

A	HA635-6
B	HA634
C	34895-03
D	34372
E	34372

SUCTION or PROCESS - COPPER  
 O.D. - .498-.502 [12.6-12.8]  
 WALL - .0545-.0615 [1.4-1.6]  
 END I.D. - .378-.381 [9.6-9.7]  
 X .865-.927 [22.0-23.5]  
 PLUG, -4

DIMENSIONING = INCHES OR INCHES (MILLIMETERS)  
 MILLIMETERS

3D, VNX6

ENGLISH

Q.A. SYMBOLS

- ★ = CATEGORY I
- ▲ = CATEGORY II
- = CATEGORY III
- = CATEGORY IV

EC8278 ATC 3-FOOTING REMOVED 21OCT19 TS 29SEP11 MOVED & RENUMBERED TO BE NOTE #4 #23255B	DATE --- --- ---	THIS DRAWING OR PRINT SHALL BE THE PROPERTY OF TECUMSEH AND CONTAINS PROPRIETARY AND CONFIDENTIAL INFORMATION. IT IS TO BE KEPT IN CONFIDENTIALITY AND IS NOT TO BE REPRODUCED OR DISCLOSED IN ANY MANNER WITHOUT THE WRITTEN CONSENT OF TECUMSEH. ANY UNAUTHORIZED DISCLOSURE OR REPRODUCTION OF THIS DRAWING OR PRINT SHALL BE SUBJECT TO LEGAL ACTION. APPROVED IN WRITING BY: TECUMSEH SPECIFIC WRITTEN CONSENT AND (1)V THEREOF TO TECUMSEH AT THE INCIDENT SUCH REQUEST IS MADE.	DIS. CODE --	NAME SALES COMPRESSOR	SCALE 1:2	THIS PRINT SUPERSEDES ALL PRINTS PRIOR TO