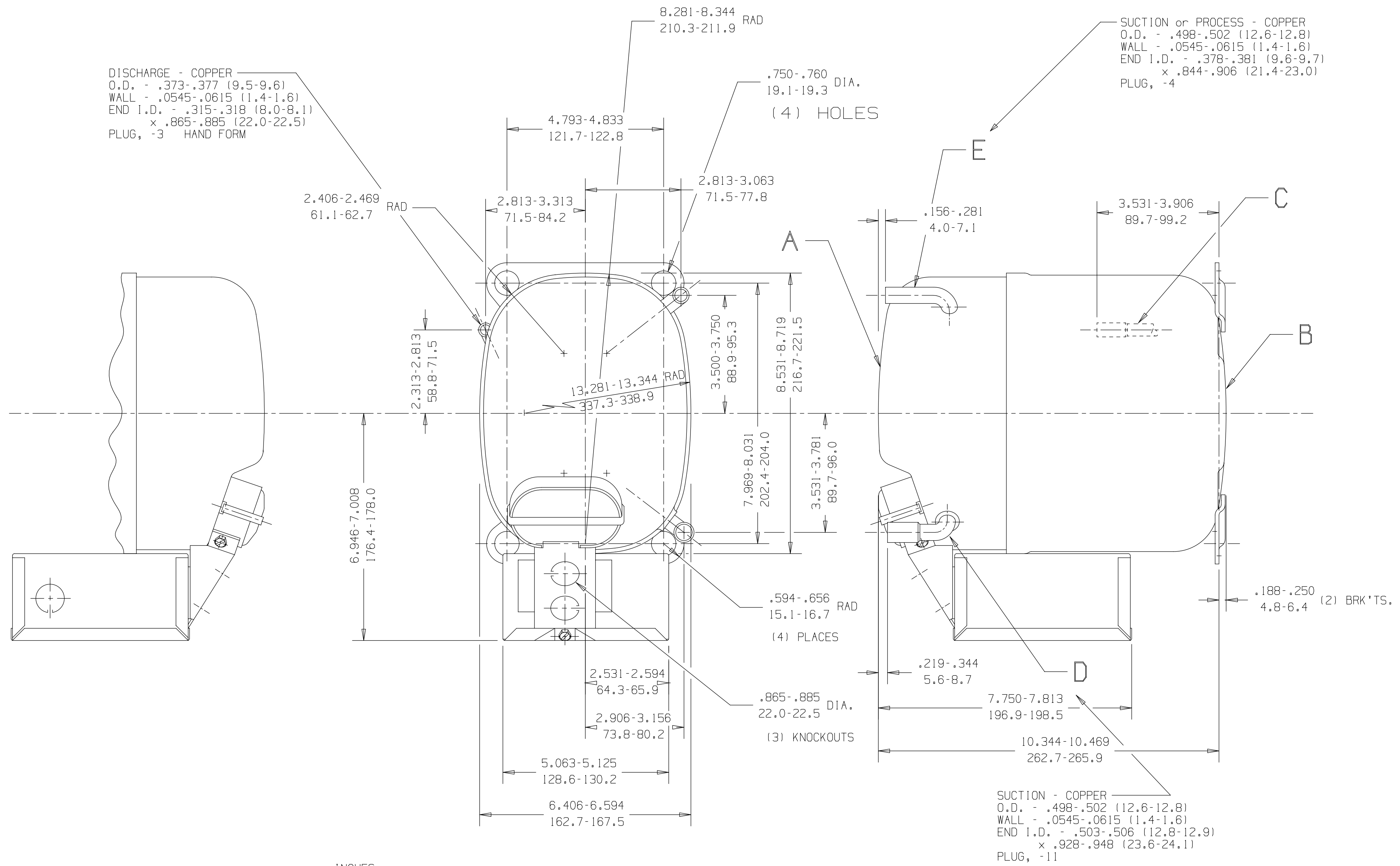


PART NO.
DCAJ-205



DIMENSIONING = $\frac{\text{INCHES}}{\text{MILLIMETERS}}$ OR INCHES (MILLIMETERS)

NOTE!
1. IF SPECIFIED ON BILL OF MATERIAL ASSEMBLE THESE PARTS AS SHOWN.
2. SEE SPEC. "A-B" & "A-C" FOR PROCESSING.

Q.A. SYMBOLS
 ☆ = CATEGORY I
 ▲ = CATEGORY II
 ■ = CATEGORY III
 □ = CATEGORY IV

NOTE!
1. SEE DWG. #AHT-1 FOR ASSEMBLY OF DISCHARGE CONNECTOR AND LOWER SHOCK LOOP IN LOWER HOUSING.

(K)

| | |
|---|-----------|
| A | HA-635-12 |
| B | HA-634 |
| C | 34366-1 |
| D | 34367 |
| E | 34372 |

| | | | | | |
|--|-------------------|---------------|------|--------|-------------|
| #228106-1 REMOVED HA-536-107 & HA-535 | N.L.C. 8-11-95 | HB 12-4-87 | DATE | CHANGE | DESCRIPTION |
| 6A | | | | | |
| K | | | | | |
| J | | | | | |
| LT | | | | | |

| | | |
|--|---------------------------|----------------------|
| DIS.CODE | NAME | SALES COMPRESSOR |
| | DWN. BRODERICK 12-4-87 | |
| TECUMSEH PRODUCTS CO. TECUMSEH, MICHIGAN | | PART NO. DCAJ-205 |
| INTERNAL USE ONLY p:\reeves\aj\dcaj-205-k-c.prt | | |

THIS PRINT SUPERSEDES ALL PRINTS PRIOR TO