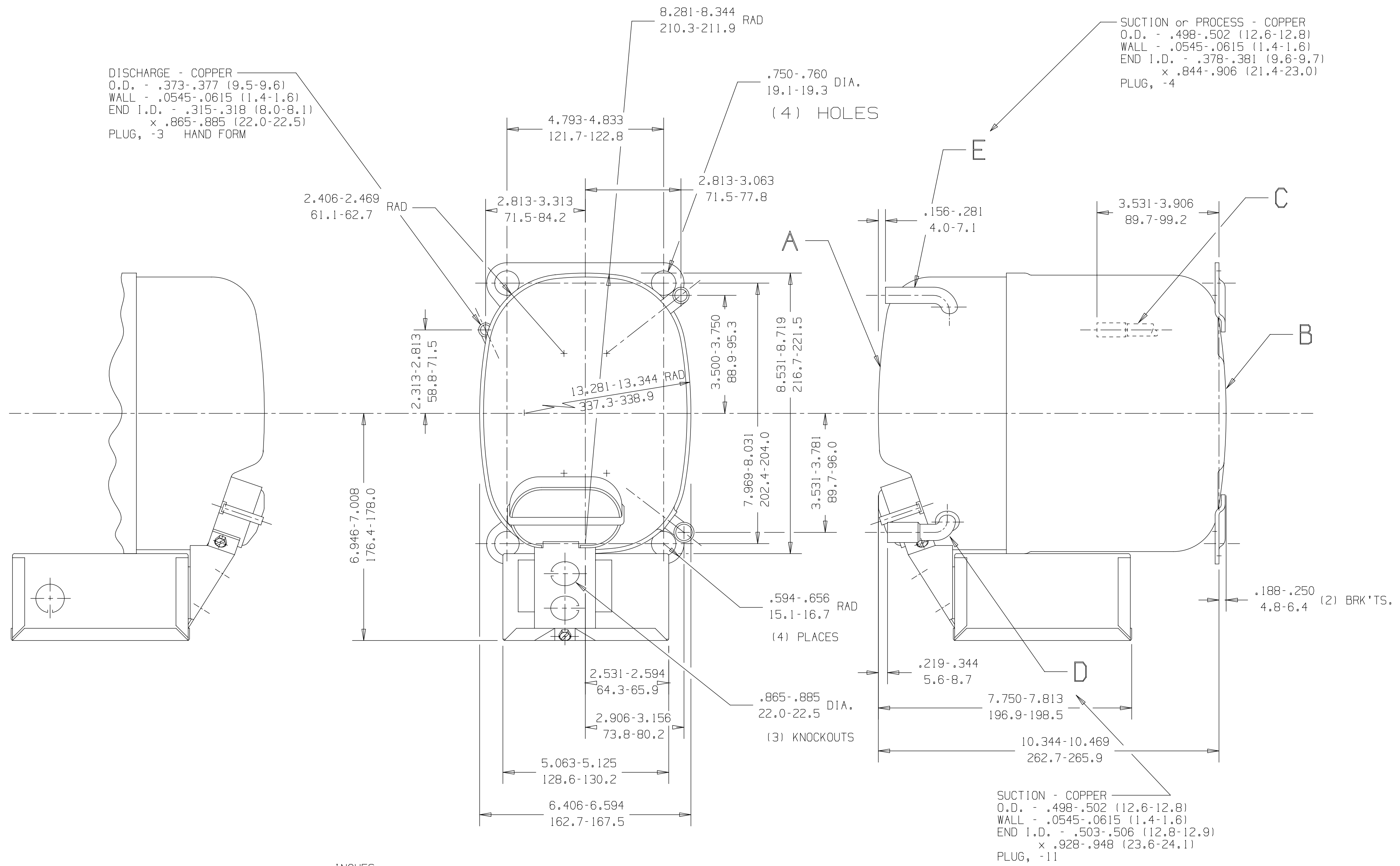


PART NO.
DCAJ-205



DIMENSIONING = $\frac{\text{INCHES}}{\text{MILLIMETERS}}$ OR INCHES (MILLIMETERS)

NOTE!
1. IF SPECIFIED ON BILL OF MATERIAL ASSEMBLE THESE PARTS AS SHOWN.
2. SEE SPEC. "A-B" & "A-C" FOR PROCESSING.

Q.A. SYMBOLS

- ★ = CATEGORY I
- ▲ = CATEGORY II
- = CATEGORY III
- = CATEGORY IV

NOTE!
1. SEE DWG. #AHT-1 FOR ASSEMBLY OF DISCHARGE CONNECTOR AND LOWER SHOCK LOOP IN LOWER HOUSING.

(K)

A	HA-635-12
B	HA-634
C	34366-1
D	34367
E	34372

#228106-1 REMOVED HA-536-107 & HA-535	N.L.C. 8-11-95	HB 12-4-87	DATE 12-4-87	CHANGE	DATE	THIS DRAWING OR PRINT PRODUCES THE PRIS DRAWING OR PRINT PRODUCES THE COMPANY, REQUIREMENTS AND CONTAINS INFORMATION BELONGING TO TECUMSEH. RECIPIENT FOR THE EXPRESS AND NOT THE INFORMATION CONTAINED HEREIN OR DISCLOSED THEREIN SHALL BE RESPONSIBLE FOR THE PROTECTION OF OTHERS WITHOUT THE EXPRESS AND WRITTEN APPROVAL OF TECUMSEH AND THE INFORMATION APPROVED IN WRITING BY TECUMSEH AS AN ORIGINAL OR COPY SHALL NOT BE REPRODUCED OR TRANSMITTED IN ANY MANNER OR BY ANY MEANS, ELECTRONIC OR MECHANICAL, INCLUDING PHOTOCOPYING, RECORDING, OR BY ANY INFORMATION STORAGE AND RETRIEVAL SYSTEM, WITHOUT THE WRITTEN CONSENT AND APPROVAL OF TECUMSEH. THEREOF TO THE RECIPIENT. EACH RECIPIENT IS RESPONSIBLE FOR THE PROTECTION OF OTHERS WITHOUT THE EXPRESS AND WRITTEN APPROVAL OF TECUMSEH AND THE INFORMATION APPROVED IN WRITING BY TECUMSEH AS AN ORIGINAL OR COPY SHALL NOT BE REPRODUCED OR TRANSMITTED IN ANY MANNER OR BY ANY MEANS, ELECTRONIC OR MECHANICAL, INCLUDING PHOTOCOPYING, RECORDING, OR BY ANY INFORMATION STORAGE AND RETRIEVAL SYSTEM, WITHOUT THE WRITTEN CONSENT AND APPROVAL OF TECUMSEH.
6A						
K						
J						
LT	LC	CH	AN	RE	AP	PR

DIS.CODE	NAME	SALES COMPRESSOR
	DWN. BRODERICK 12-4-87	
	TECUMSEH PRODUCTS CO. TECUMSEH, MICHIGAN	
MATERIAL		
INTERNAL USE ONLY		
p:\reeves\aj\dcaj-205-k-c.prt		
PART NO.		DCAJ-205

THIS PRINT SUPERSEDES ALL PRINTS PRIOR TO