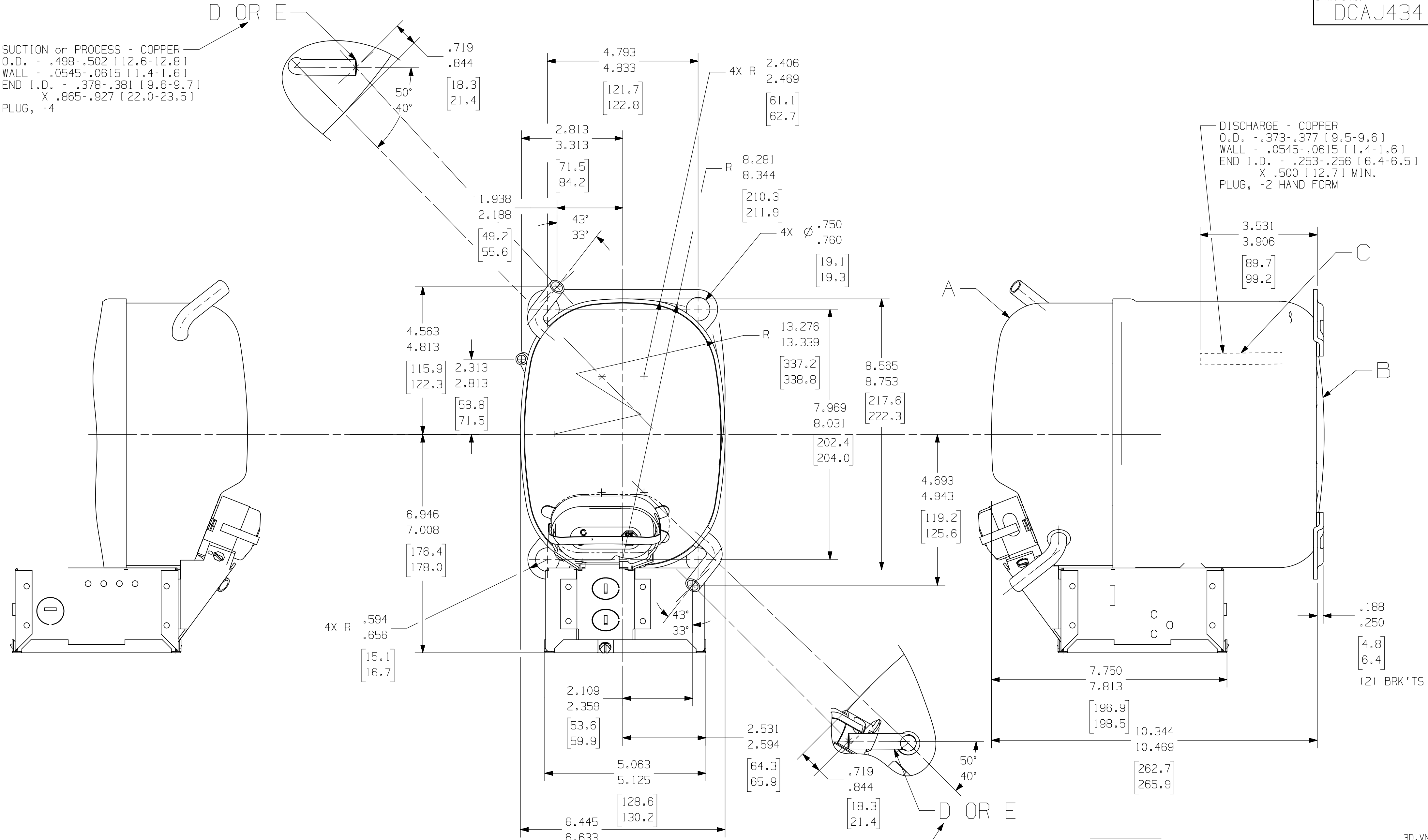


SUCTION or PROCESS - COPPER
 O.D. - .498-.502 [12.6-12.8]
 WALL - .0545-.0615 [1.4-1.6]
 END I.D. - .378-.381 [9.6-9.7]
 X .865-.927 [22.0-23.5]
 PLUG, -4

DISCHARGE - COPPER
 O.D. - .373-.377 [9.5-9.6]
 WALL - .0545-.0615 [1.4-1.6]
 END I.D. - .253-.256 [6.4-6.5]
 X .500 [12.7] MIN.
 PLUG, -2 HAND FORM



NOTE:
 1. IF SPECIFIED ON BILL OF MATERIAL ASSEMBLE THESE PARTS AS SHOWN.
 2. SEE SPEC. "A-B" & "A-C" FOR PROCESSING.
 3. SEE DWG. #AHT1 FOR ASSEMBLY OF DISCHARGE CONNECTOR AND LOWER SHOCK LOOP IN LOWER HOUSING.
 4. MUST COMPLY WITH T.P.Co. GLOBAL SPEC 08.

A	HA635-6
B	HA634
C	34895-03
D	34372
E	34372

SUCTION or PROCESS - COPPER
 O.D. - .498-.502 [12.6-12.8]
 WALL - .0545-.0615 [1.4-1.6]
 END I.D. - .378-.381 [9.6-9.7]
 X .865-.927 [22.0-23.5]
 PLUG, -4

DIMENSIONING = INCHES OR INCHES (MILLIMETERS)
 MILLIMETERS

3D, VNX6

ENGLISH
Q.A. SYMBOLS
★ = CATEGORY I
▲ = CATEGORY II
■ = CATEGORY III
□ = CATEGORY IV

EC8278 ATC 3 FOOTING REMOVED REVISION 3D ADDED NOTE #3 MOVED & RENUMBERED TO BE NOTE #4 #23255B	BD	DATE	NAME	SALES COMPRESSOR
	TS	29SEP11		
	REL			
LT	LC	CHANGE	DATE	
THIS DRAWING OR PRINT, ALL ITS THE COMPANY, IT'S RIGHTS AND CONTENTS PROPRIETARY AND CONFIDENTIAL. IT IS MADE AVAILABLE TO THE SPECIFIC CONDITIONS THAT NEITHER IT BE DISCLOSED OR MADE AVAILABLE TO ANY OTHER PERSON OR ORGANIZATION WITHOUT THE WRITTEN CONSENT OF TECUMSEH PRODUCTS CO. ANY REPRODUCTION OR TRANSMISSION OF THIS DRAWING OR PRINT WITHOUT THE WRITTEN CONSENT AND IN VIOLATION OF THE TERMS AND CONDITIONS OF THE LICENSE AGREEMENT AT THE TIME OF SUCH REQUEST IS MADE.				
DO NOT SCALE THIS DRAWING ALL FERROUS MATERIALS SHALL BE RECEIVED OR AT COMPRESSOR ASSEMBLY.				DIS. CODE NAME SCALE 1:2 THIS PRINT SUPERSEDES ALL PRINTS PRIOR TO DRAWING NO. DCAJ434
MATERIAL NOTED				