

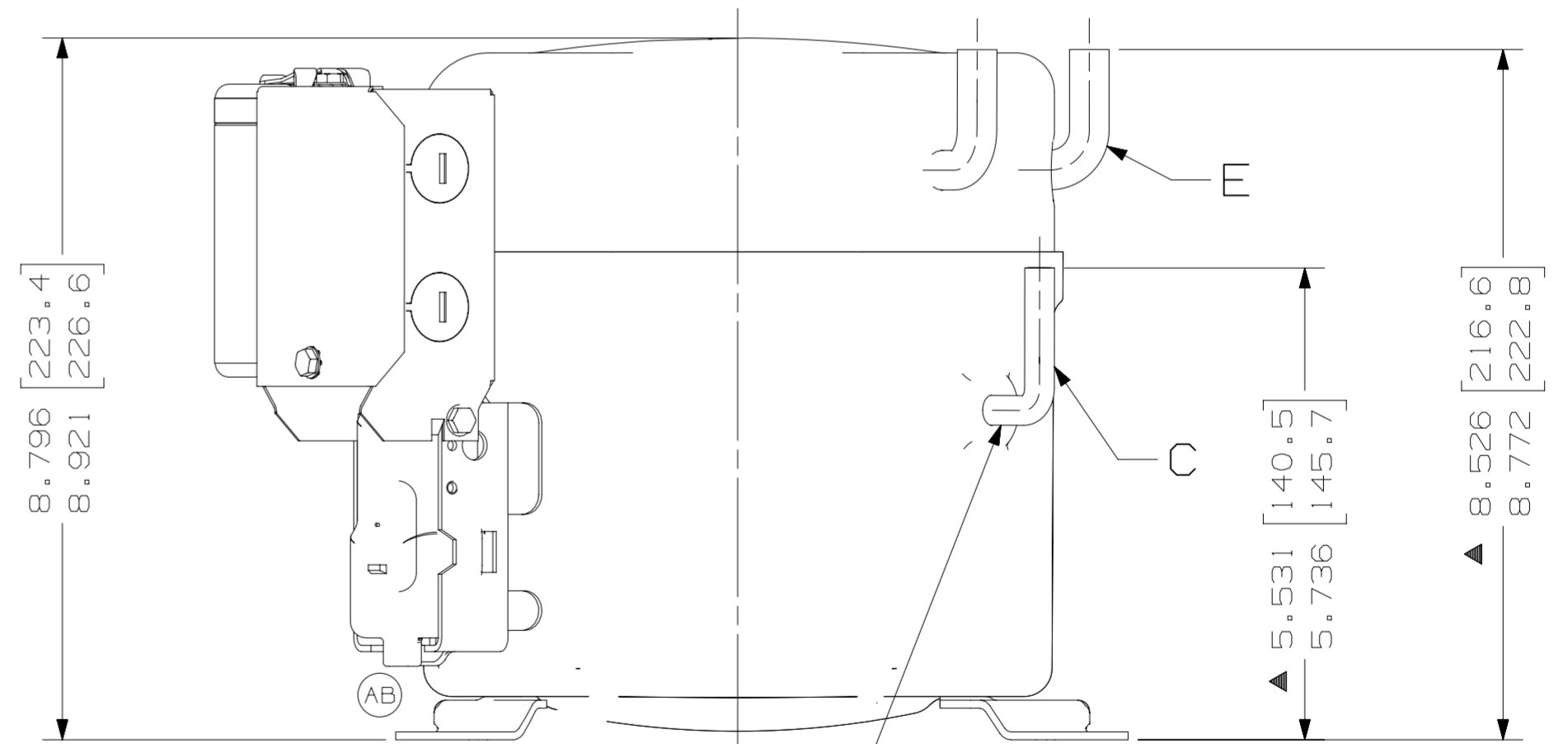
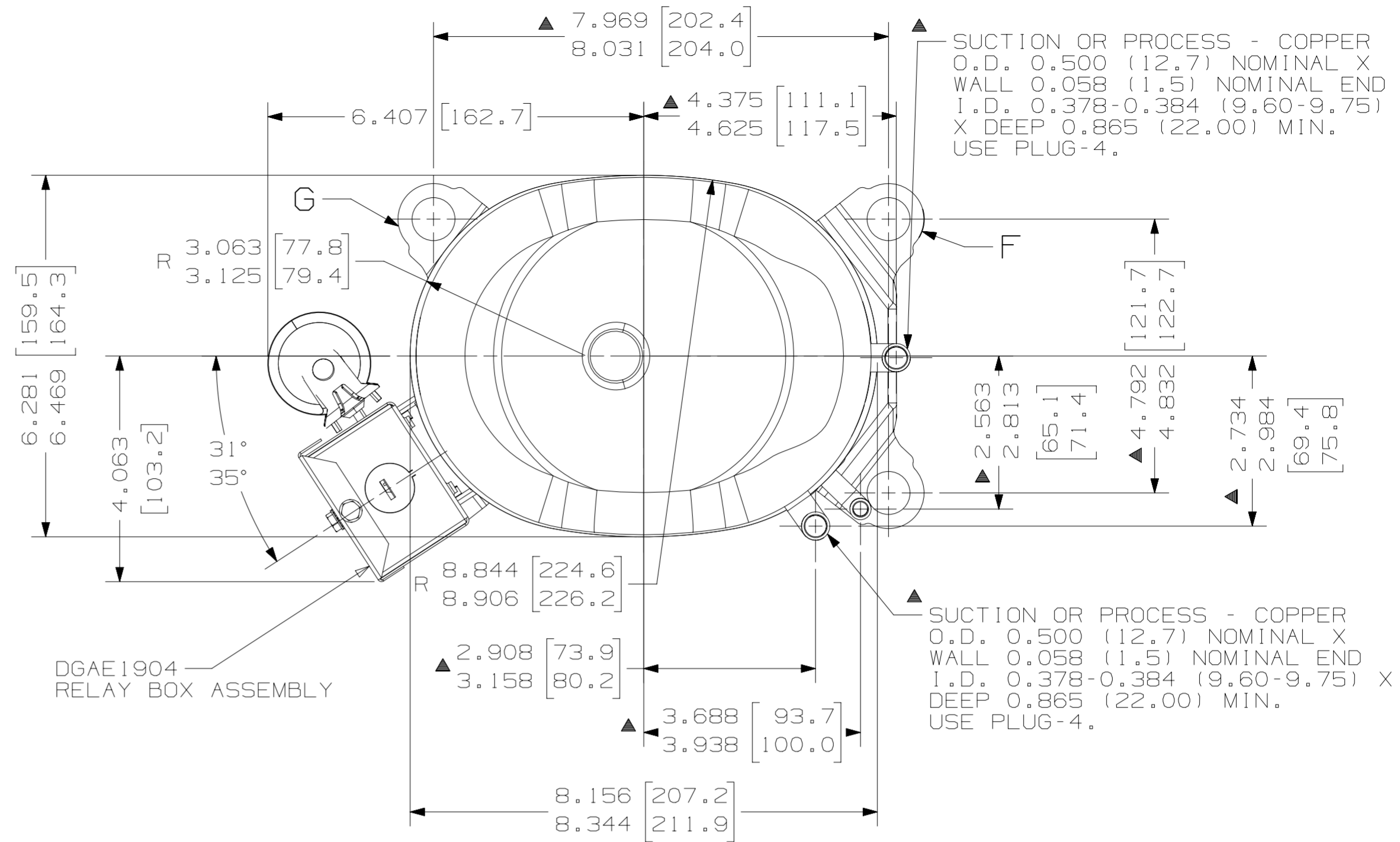
ITEM	PART NUMBER
A	AKU1020
B	AKL1019
C	34525
D	34439
E	34439
F	280-10011
G	280-10010

NOTES

1- IF SPECIFIED ON BILL OF MATERIAL ASSEMBLE THE COMPONENTS AS SHOW.

2- SEE COMPONENT DRAWINGS FOR DIMENTIONS NOT SHOW.

▲ 3- MUST COMPLY WITH TECUMSEH GLOBAL ESPEC-8.



DIMENSIONING= INCHES OR INCHES - (MILLIMETERS)
MILLIMETERS

LT	LC	CHANGE	DATE
AB	B3	ALTERADO PROTETOR DE TERNANUS DE A 108-10072	EC102901 17-02-22 SM. MS.
AA	--	LIBERACAO	EC95418 09-11-20 C:28

THIS DRAWING OR PRINT (1) IS THE PROPERTY OF TECUMSEH DO BRASIL LTDA. AND CONTAINS PROPRIETARY AND CONFIDENTIAL INFORMATION BELONGING TO TECUMSEH DO BRASIL. IT IS TO BE USED ONLY FOR THE PURPOSES SPECIFIED HEREIN AND IS NOT TO BE REPRODUCED, COPIED, OR DISCLOSED OR MADE AVAILABLE TO OTHERS WITHOUT THE EXPRESS AND SPECIFIC WRITTEN CONSENT OF TECUMSEH DO BRASIL AND SHALL REMAIN THE PROPERTY OF TECUMSEH DO BRASIL. ANY UNAUTHORIZED REPRODUCTION OR DISCLOSURE OF THIS DRAWING OR PRINT TO ANY OTHER PARTY WITHOUT THE EXPRESS AND SPECIFIC WRITTEN CONSENT AND (1) SHALL BE RETURNED BY THE RECIPIENT LATTER'S REQUEST PROMPTLY AFTER SUCH REQUEST IS MADE.

DO NOT SCALE THIS DRAWING. ALL FERROUS MATERIALS MUST NOT BE MAGNETIZED AS RECEIVED OR AT COMPRESSOR ASSEMBLY

THIRD ANGLE PROJECTION

UNITS: mm

DRAWING SIZE: A2

0. A. SYMBOLS AS PROCEDURE 2.01.031 TECUMSEH OF BRAZIL

★ = CATEGORY I
▲ = CATEGORY II
■ = CATEGORY III
□ = CATEGORY IV

Tecumseh

NAME: SALES COMPRESSOR

PART NO.: DCAKB37

SCALE: 1:2

PAGE: 1/1

DATE: 22-04-20

REF.

FAMILY: AK