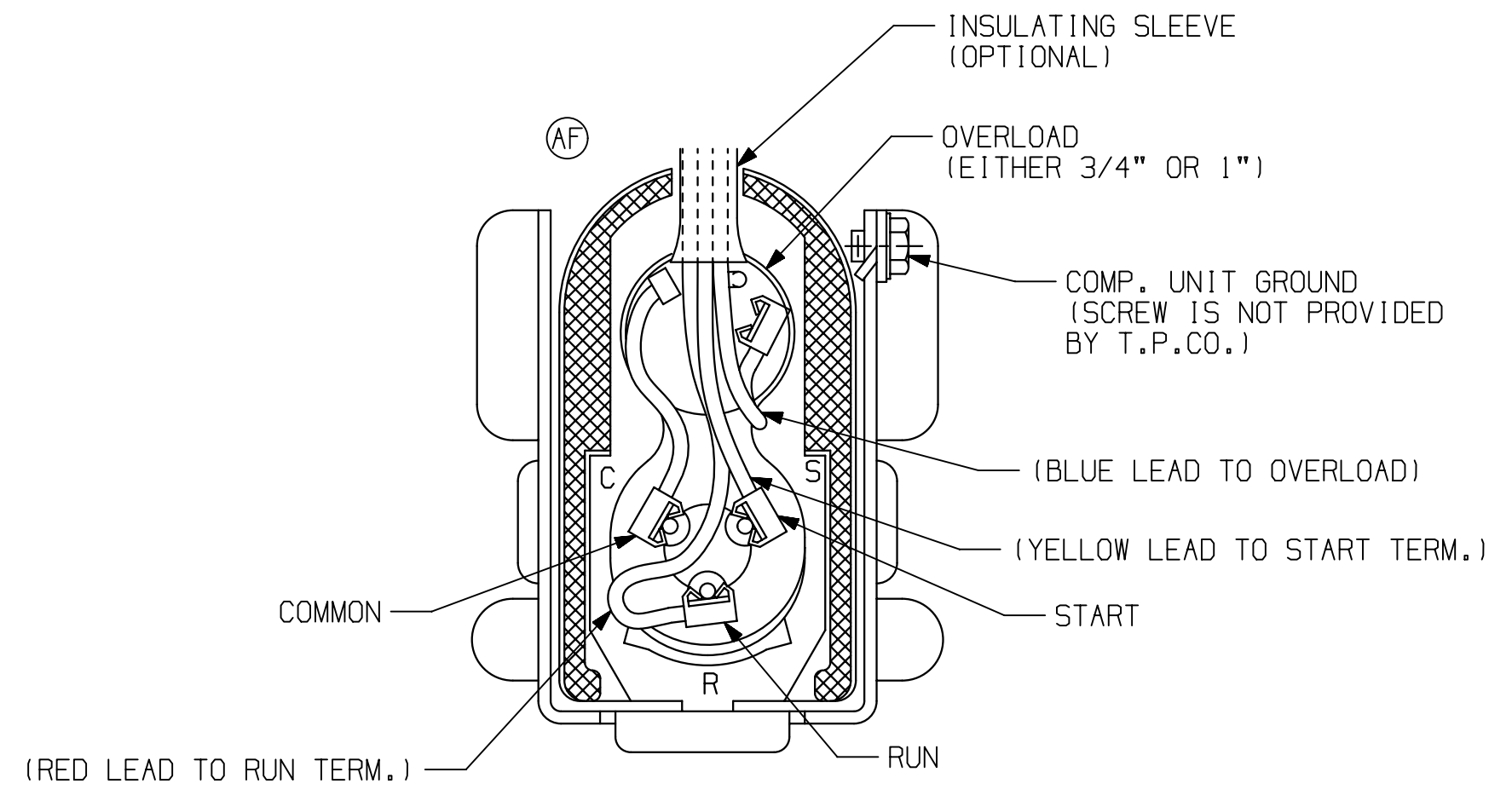


AG ELECTRICAL HOOK-UP REF. AK2



ELECTRICAL HOOK-UP REF. AK

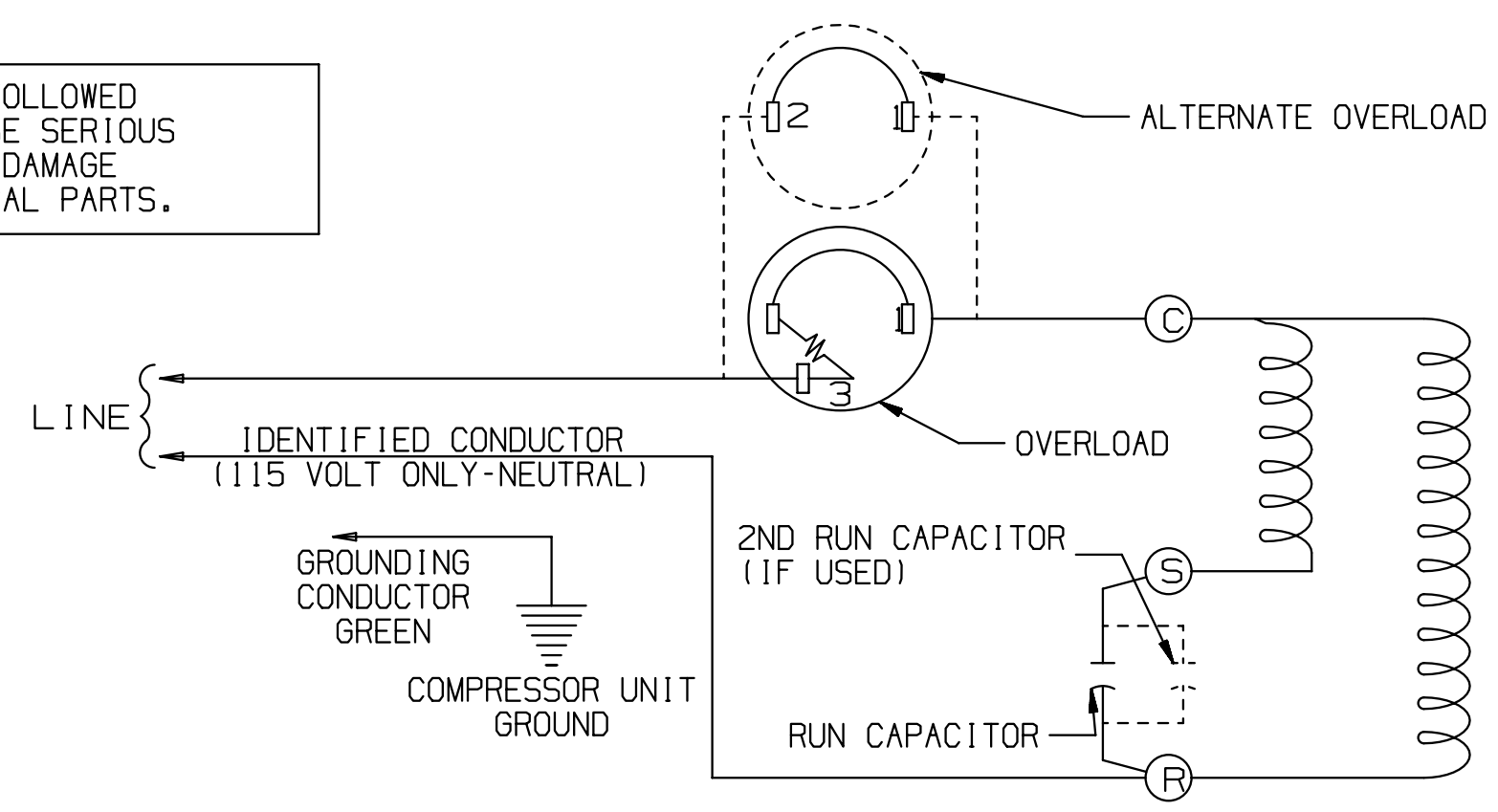
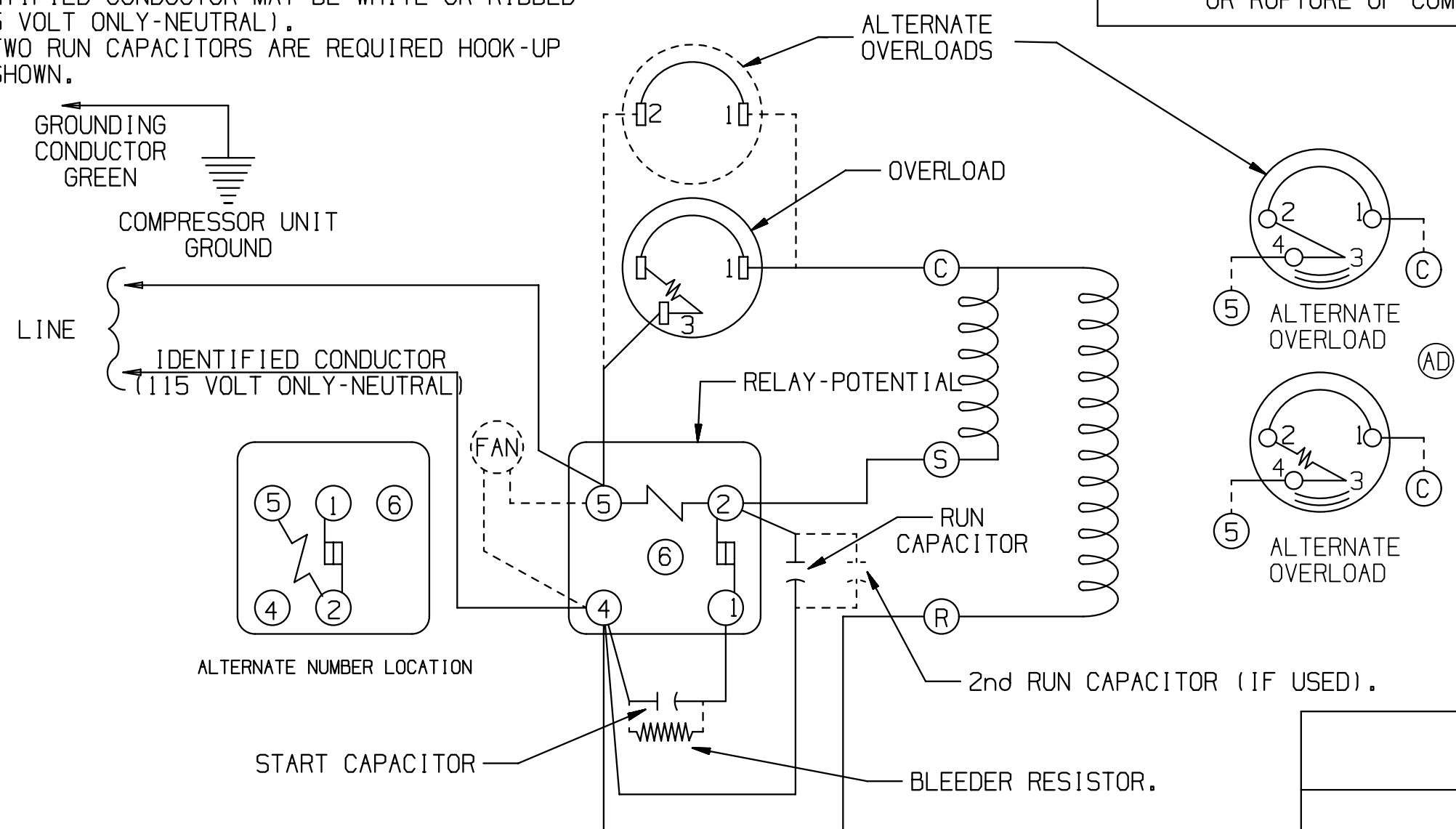
--NOTES--

1. ASSEMBLE PARTS AS SHOWN IF SPECIFIED ON B/M.
2. IDENTIFIED CONDUCTOR MAYBE WHITE OR RIBBED (115 VOLT ONLY-NEUTRAL).
3. IF TWO RUN CAPACITORS ARE REQUIRED HOOK-UP AS SHOWN.

NOTE:

1. ASSEMBLE PARTS AS SHOWN IF SPECIFIED ON B/M.
2. IDENTIFIED CONDUCTOR MAY BE WHITE OR RIBBED (115 VOLT ONLY-NEUTRAL).
3. IF TWO RUN CAPACITORS ARE REQUIRED HOOK-UP AS SHOWN.

WARNING-WIRING DIAGRAM MUST BE FOLLOWED AS SHOWN. ANY MISWIRING CAN CAUSE SERIOUS ELECTRICAL HAZARD AND POTENTIAL DAMAGE OR RUPTURE OF COMPONENT ELECTRICAL PARTS.



115 OR 230 VOLT - SCHEMATIC WIRING DIAGRAM - PSC. (REF. DWG. MD472-4)

AK-115 OR 230 V.-PCS.  
AK-115 OR 230 V.-CSR OR CSR START CAPACITOR ASSIST.

3D, VNX8 B

ENGLISH

Q.A. SYMBOLS

- ★ = CATEGORY I
- ▲ = CATEGORY III
- = CATEGORY IIII
- = CATEGORY IV

AK

115 OR 230 VOLT-SCHEMATIC WIRING DIAGRAM CSR OR CSR START CAPACITOR ASSIST (REF.DWG. MD472-35)

TS 13FEB17	LOT 08JUL08	EAC 31MAY06	EAC 07DEC04	HINMAN 07/28/97	DATE	DIS.CODE 34SU	NAME ELECTRICAL HOOK-UP
AG 7D EC76989 AK2 FAN OVERLOAD OVERLOAD HOLDER, BASKET	AF 5E EC19615 REVISE WIRE ROUTING	AE 7E F244683-000 REVISE WIRE ENDS OF THE WIRE AS SHOWN ON MARKED-UP PRINT.	AD 5B F241512-041 ADDED NEW ELECTRICAL VIEWS FOR THE BASKET DESIGN.	AC -- F231504-022 REVISED TO SHOW OVERLOAD HOLDER	AB -- REDDRAWN NO CHANGE	SCALE 1"=1"	MATERIAL
<p>THIS DRAWING OR PRINT (L1) IS THE PROPERTY OF TECUMSEH AND CONTAINS PROPRIETARY AND CONFIDENTIAL INFORMATION. IT IS MADE AVAILABLE TO THE CUSTOMER UNDER THE CONDITION THAT NEITHER IT NOR THE INFORMATION CONTAINED THEREIN BE DISCLOSED OR MADE AVAILABLE TO ANY OTHER PARTY WITHOUT THE WRITTEN CONSENT OF TECUMSEH. THIS DRAWING IS THE PROPERTY OF TECUMSEH AND IS NOT TO BE COPIED OR REPRODUCED IN ANY MANNER WITHOUT THE WRITTEN CONSENT AND SIGNATURE OF THE DESIGN ENGINEER AT THE POINT OF REQUEST. THIS DRAWING IS MADE TO ORDER AND IS NOT TO BE REPRODUCED OR USED FOR ANY OTHER PURPOSE WITHOUT THE WRITTEN CONSENT OF TECUMSEH.</p>							<p>THIS PRINT SUPERSEDES ALL PRINTS PRIOR TO</p>
<p>TECUMSEH PRODUCTS CO. ANN ARBOR, MICHIGAN</p>							PART NO. DEAK 1