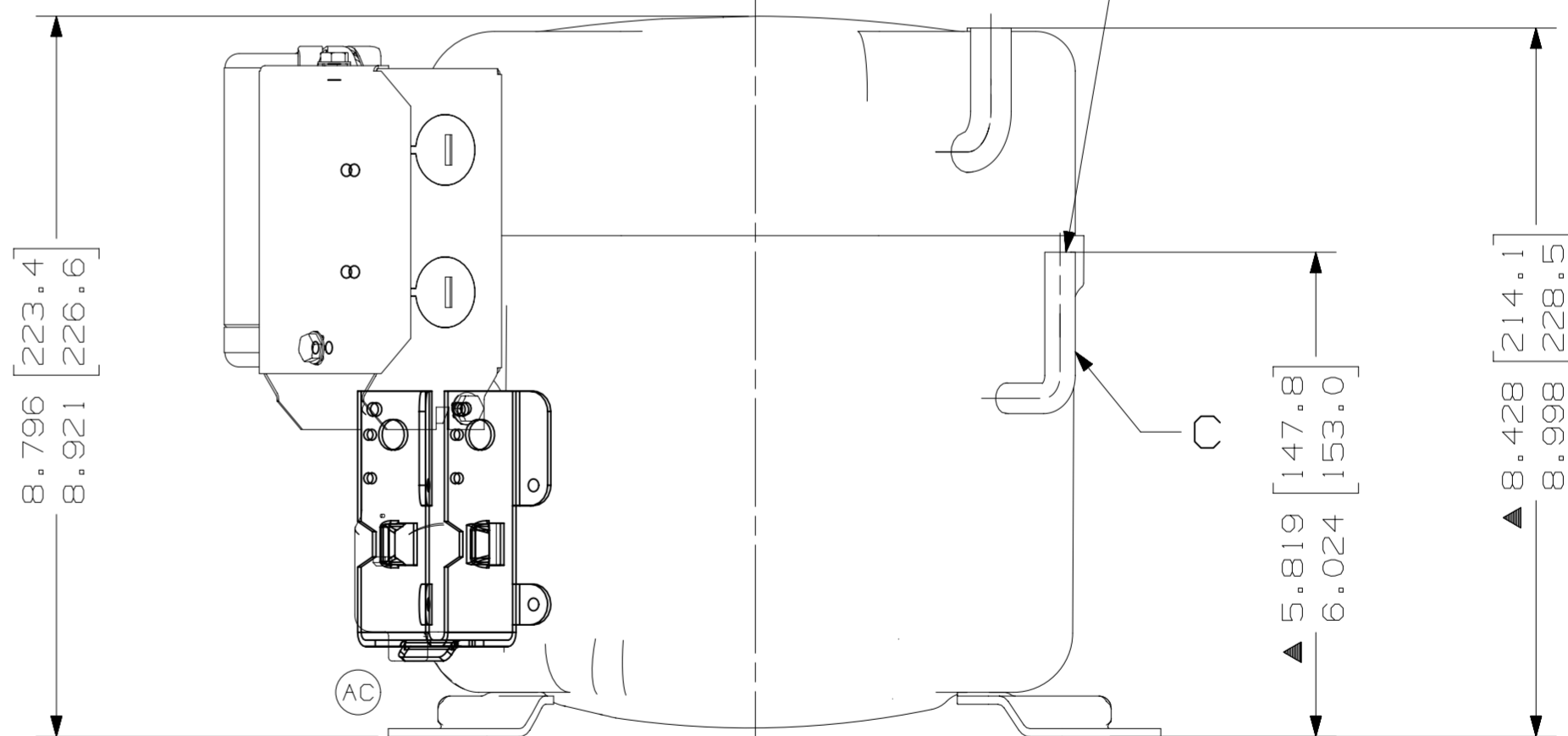


ITEM	PART NUMBER
A	AKU1001
B	AKL1018
C	34525
D	34439
E	34439
F	280-10011
G	280-10010

NOTES

- 1- IF SPECIFIED ON BILL OF MATERIAL ASSEMBLE THE COMPONENTS AS SHOW.
- 2- SEE COMPONENT DRAWINGS FOR DIMENTIONS NOT SHOW.
- ▲ 3- MUST COMPLY WITH TECUMSEH GLOBAL ESPEC-8.

DIMENSIONING= INCHES OR INCHES - [MILLIMETERS]
MILLIMETERS



LT	LC	CHANGE	DATE
AC	B3	ALTERADO PROTETOR DE TERMINAIS ERA: 108-10072	EC102901 17-02-22 SM. MS.
AB	--	CORRIGIDA CARCACA COMPLETA C/ CANOS E REVISADA DIM.	EC101173 23-08-2021 CIAS. MS.
AA	--	LIBERACAO	EC95408 15-11-20 C.

THIRD ANGLE PROJECTION

UNITS: mm

DRAWING SIZE: A2

0. A. SYMBOLS AS PROCEDURE 2.01.031 TECUMSEH OF BRAZIL

★ = CATEGORY I
▲ = CATEGORY II
■ = CATEGORY III
□ = CATEGORY IV

SALES COMPRESSOR

DCAKA04

SCALE: 1:2

PAGE: 1/1

FAMILY: AK

DATE: 14-04-20

REF.