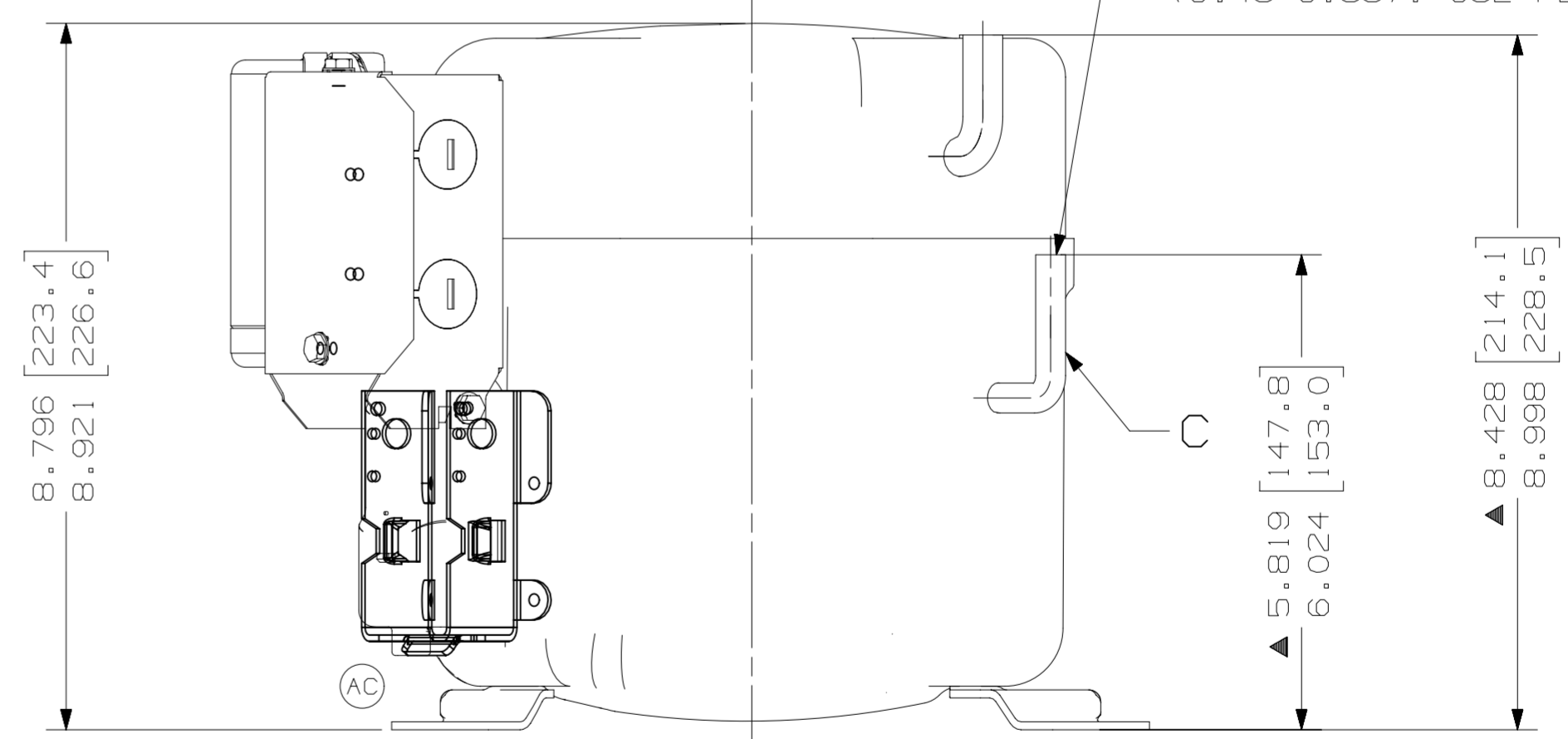


ITEM	PART NUMBER
A	AKU1001
B	AKL1018
C	34525
D	34439
E	34439
F	280-10011
G	280-10010

DGAE1904 RELAY BOX ASSEMBLY



NOTES

- 1- IF SPECIFIED ON BILL OF MATERIAL ASSEMBLE THE COMPONENTS AS SHOW.
- 2- SEE COMPONENT DRAWINGS FOR DIMENSIONS NOT SHOW.
- ▲ 3- MUST COMPLY WITH TECUMSEH GLOBAL ESPEC-8.

DIMENSIONING= INCHES OR INCHES - [MILLIMETERS]  
MILLIMETERS

LT	LC	CHANGE	DATE
AC	B3	ALTERADO PROTETOR DE TERMINAIS ERA: 108-10072	EC102901 17-02-22 SM. MS.
AB	--	CORRIGIDA CARCACA COMPLETA C/ CANOS E REVISIONA DIM.	EC101173 23-08-2021 CIAS. MS.
AA	--	LIBERACAO	EC95408 15-11-20 C.

THIS DRAWING OR PRINT (1) IS THE PROPERTY OF TECUMSEH DO BRASIL LTDA. AND CONTAINS PROPRIETARY AND CONFIDENTIAL INFORMATION BELONGING TO TECUMSEH DO BRASIL. IT IS TO BE USED ONLY FOR THE SPECIFIC PURPOSE, EXPRESS AND SPECIFIC CONDITION THAT SET FORTH IN THE INFORMATION CONTAINED THEREON OR DISCLOSED OR MADE AVAILABLE TO OTHERS WITHOUT THE EXPRESS AND SPECIFIC WRITTEN CONSENT OF TECUMSEH DO BRASIL AND SHALL NOT BE COPIED OR TO ANY EXTENT WITH-OUT TECUMSEH DO BRASIL PRIOR EXPRESS AND SPECIFIC WRITTEN CONSENT AND IT/VI SHALL BE RETURNED BY THE RECIPIENT LATTER'S REQUEST PROMPTLY AFTER SUCH REQUEST IS MADE.

DO NOT SCALE THIS DRAWING. ALL FERROUS MATERIALS MUST NOT BE MAGNETIZED AS RECEIVED OR AT COMPRESSION ASSEMBLY

THIRD ANGLE PROJECTION

UNITS: mm

DRAWING SIZE: A2

0. A. SYMBOLS AS PROCEDURE 2.01.031 TECUMSEH OF BRAZIL

★ = CATEGORY I  
▲ = CATEGORY II  
■ = CATEGORY III  
□ = CATEGORY IV

NAME: SALES COMPRESSOR

PART NO.: DCAKA04

SCALE: 1:2

PAGE: 1/1

DATE: 14-04-20

REF.

FAMILY: AK