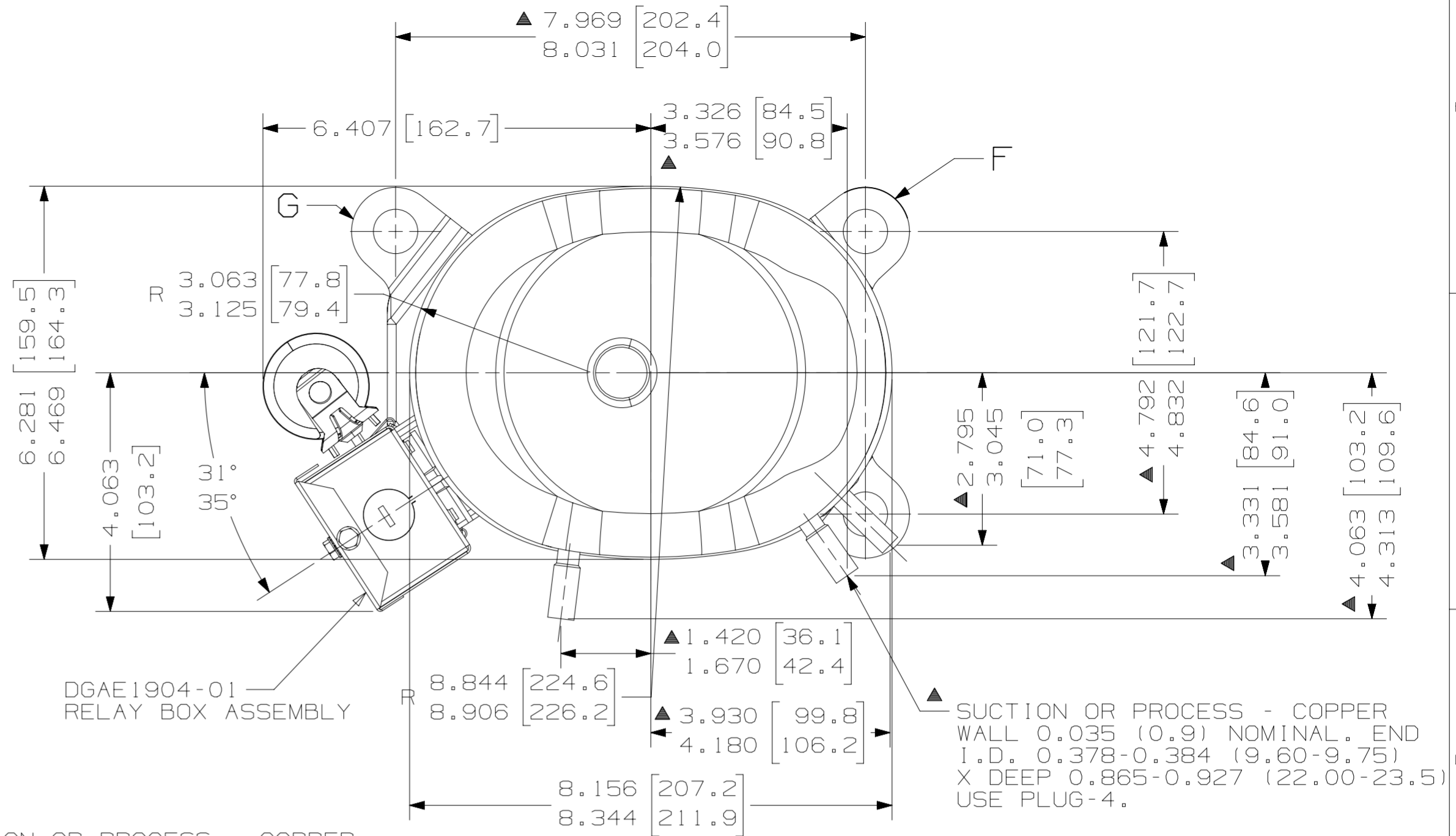


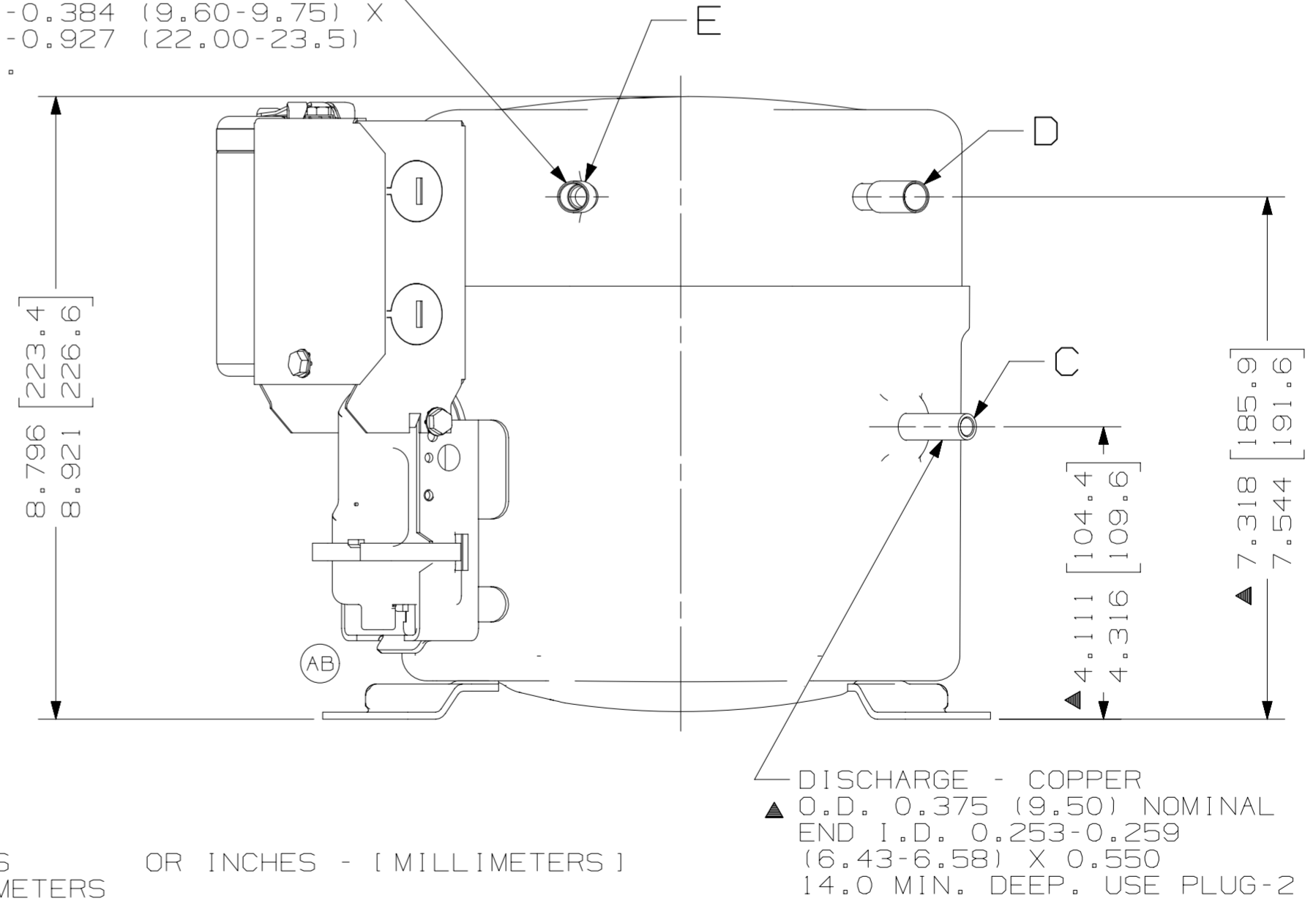
ITEM	PART NUMBER
A	AKU1008
B	AKL1016
C	34719
D	34718
E	34718
F	280-10010
G	280-10011

NOTES

- 1- IF SPECIFIED ON BILL OF MATERIAL ASSEMBLE THE COMPONENTS AS SHOW.
- 2- SEE COMPONENT DRAWINGS FOR DIMENTIONS NOT SHOW.
- ▲ 3- MUST COMPLY WITH TECUMSEH GLOBAL ESPEC-8.



▲ SUCTON OR PROCESS - COPPER WALL 0.035 (0.9) NOMINAL. END I.D. 0.378-0.384 (9.60-9.75) X DEEP 0.865-0.927 (22.00-23.5) USE PLUG-4.



DISCHARGE - COPPER O.D. 0.375 (9.50) NOMINAL END I.D. 0.253-0.259 (6.43-6.58) X 0.550 (14.0 MIN. DEEP. USE PLUG-2.

DIMENSIONING= INCHES OR INCHES - (MILLIMETERS) MILLIMETERS

EC102901 17-02-22 GM. MS.	EC05411 13-11-20 P. 20	DATE
ALTERADO PROTETOR ERA: 108-10072	LIBERACAO	CHANGE
AB B3	AA	LT LC

THIS DRAWING OR PRINT (1) IS THE PROPERTY OF TECUMSEH DO BRASIL LTDA. AND CONTAINS PROPRIETARY AND CONFIDENTIAL INFORMATION BELONGING TO TECUMSEH DO BRASIL. IT IS TO BE USED ONLY FOR THE SPECIFIC PURPOSE AND SPECIFIC CONDITION THAT NEITHER IT NOR THE INFORMATION CONTAINED THEREIN OR DISCLOSED OR MADE AVAILABLE TO OTHERS WITHOUT THE EXPRESS AND SPECIFIC WRITTEN CONSENT OF TECUMSEH DO BRASIL AND ANY INFORMATION, INCLUDING AS SPECIFICALLY IDENTIFIED BY TECUMSEH DO BRASIL, AND NOT OTHERWISE (1) SHALL NOT BE COPIED OR TO ANY EXTENT WITH-OUT TECUMSEH DO BRASIL PRIOR EXPRESS AND SPECIFIC WRITTEN CONSENT AND (2) SHALL BE RETURNED BY THE RECIPIENT LATTER'S REQUEST PROMPTLY AFTER SUCH REQUEST IS MADE.

DO NOT SCALE THIS DRAWING. ALL FER-ROUS MATERIALS MUST NOT BE MAGNETIZED AS RECEIVED OR AT COMPRESSOR ASSEMBLY

THIRD ANGLE PROJECTION

UNITS: mm

DRAWING SIZE: A2

0. A. SYMBOLS AS PROCEDURE 2.01.031 TECUMSEH OF BRAZIL

- ★ = CATEGORY I
- ▲ = CATEGORY II
- = CATEGORY III
- = CATEGORY IV

Tecumseh

SALES COMPRESSOR

DCAKA32

SCALE: 1:2

PAGE: 1/1

FAMILY: AK

DATE: 21-04-20

REF.